

Ford Bronco 4x4

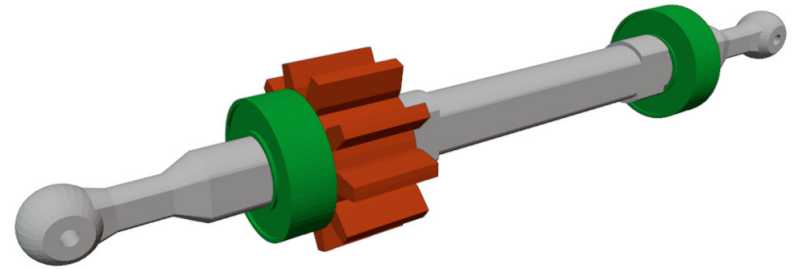
1:32 scale, fully 3D printed on FDM



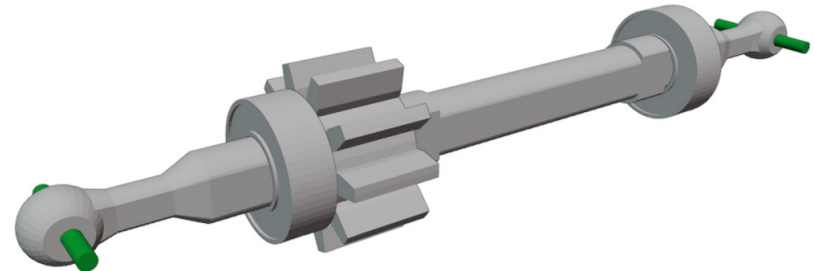
More models at:

www.3drcmodels.com

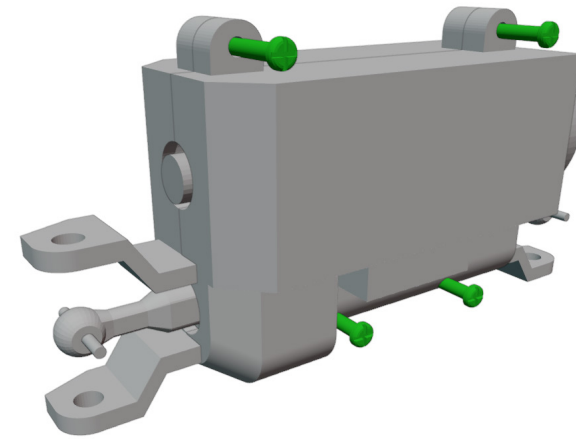
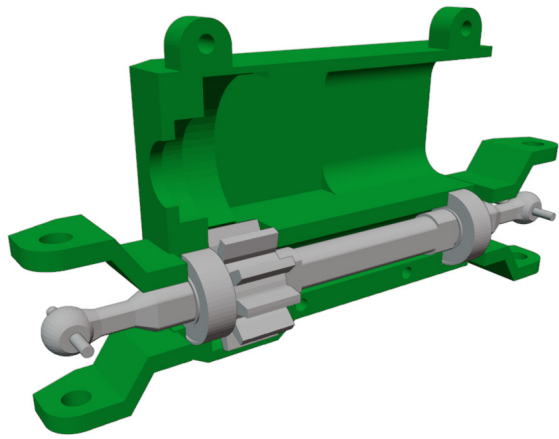
1. Chasses



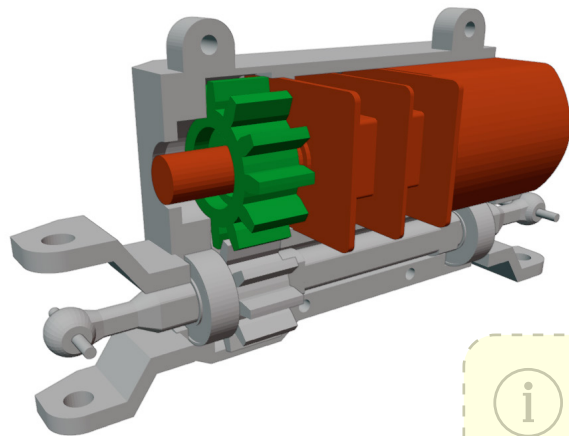
Bearings 6x3x2 should fit tight on axle. If axle is too big, you can use sandpaper.




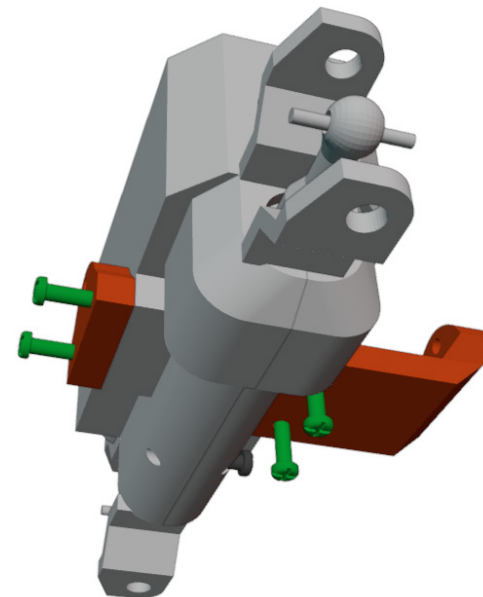
You need 2x 4mm long ~1.1mm thin wire (Best are paper clips.)



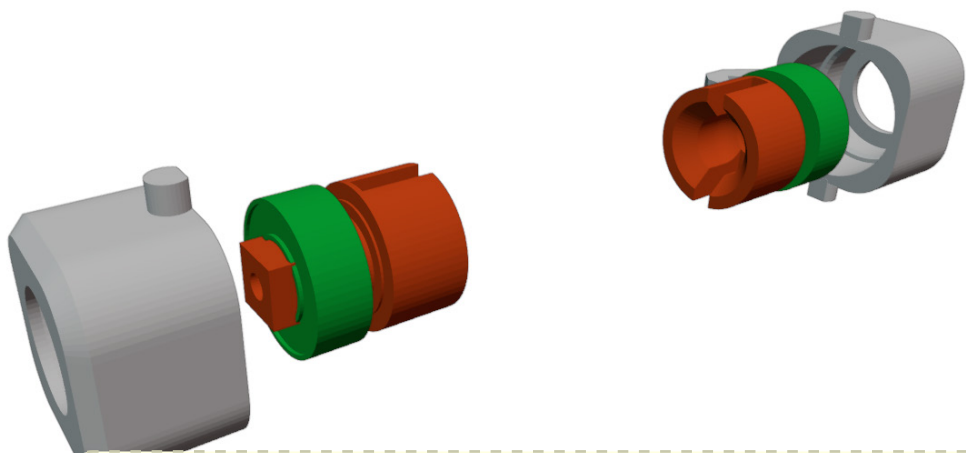
 4x M1x4



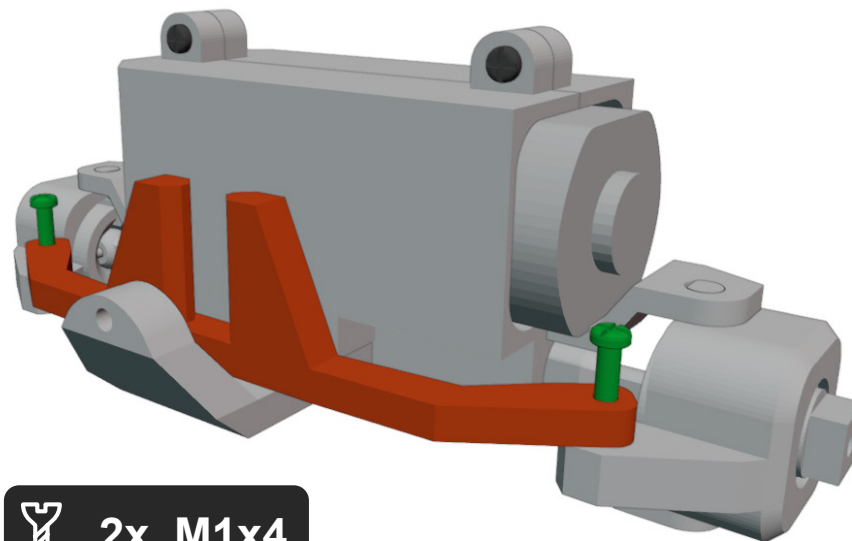
 250 RPM is recommended for this truck. It has best speed/power ratio.



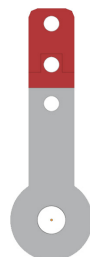
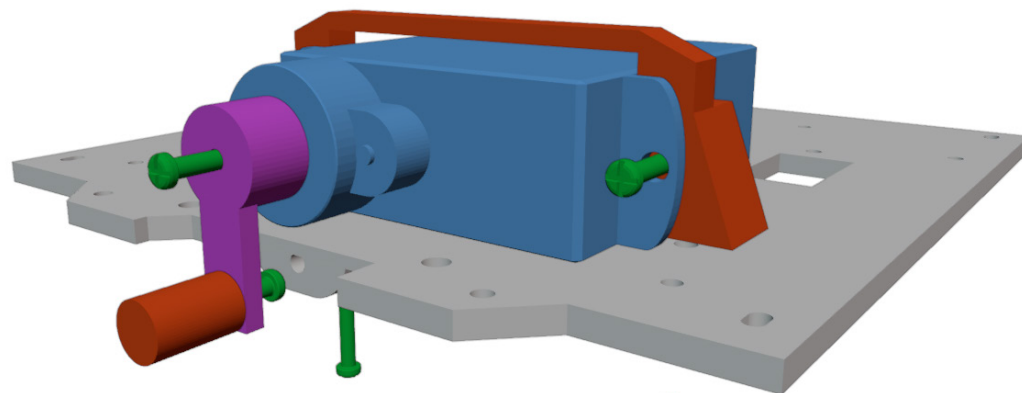
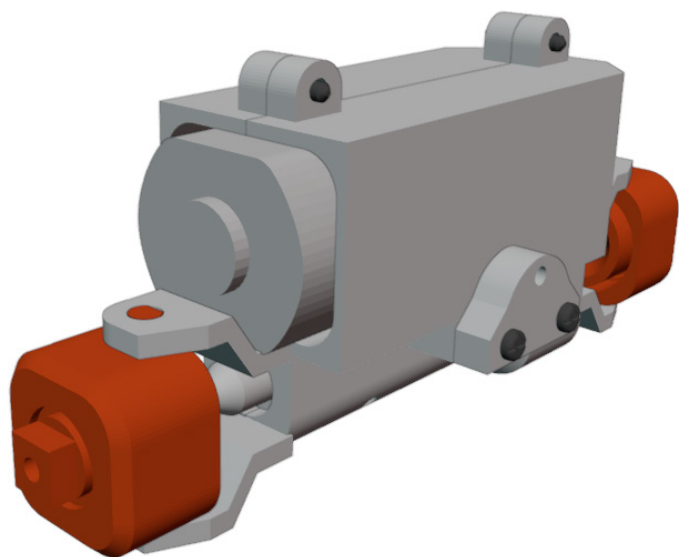
 4x M1x5



Bearings 7x4x2.5 should fit tight on axle. If axle is too big, you can use sandpaper.



2x M1x4

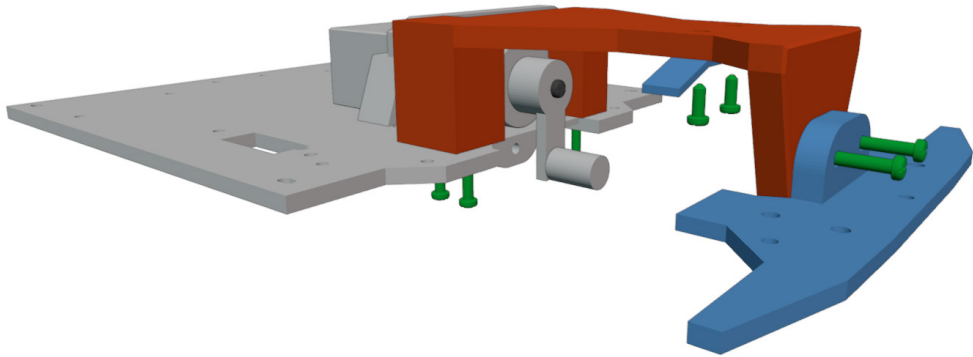


4x M1x4

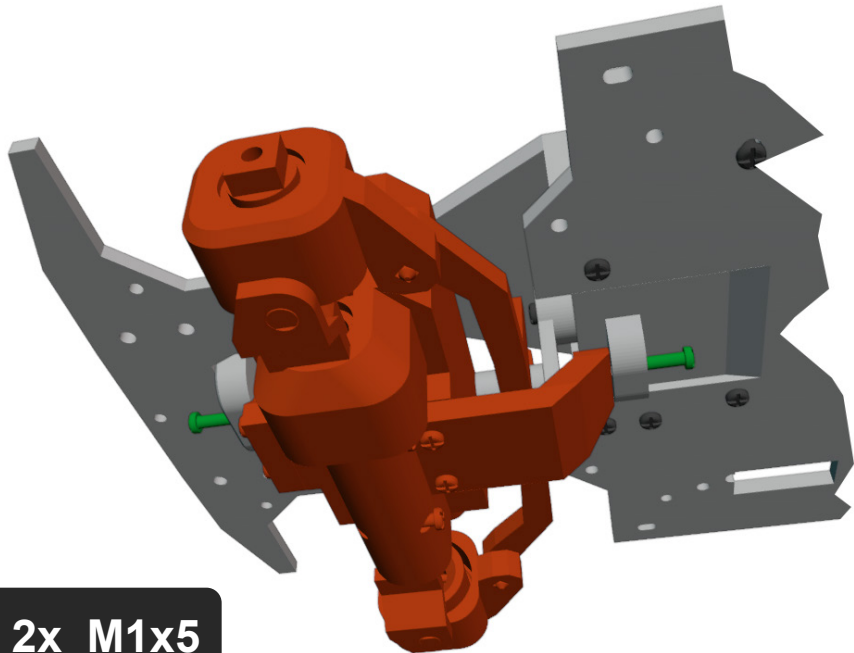
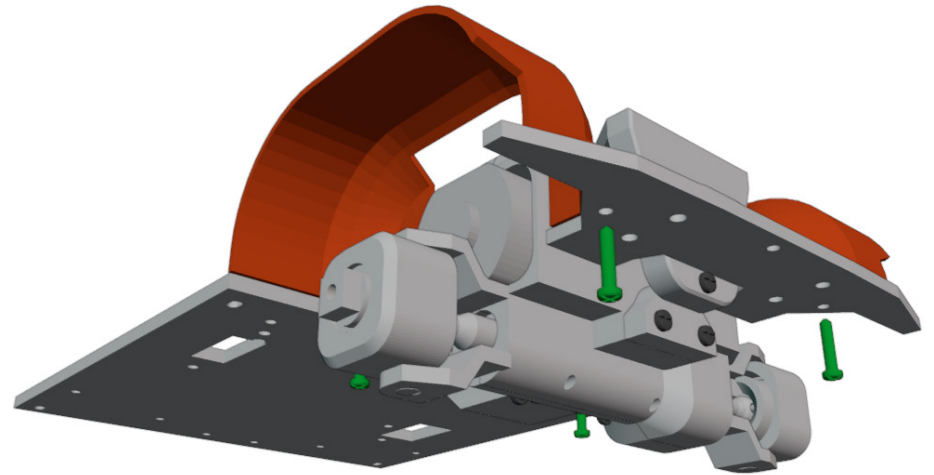


You need to cut red part of steering pin so it fits under cover.

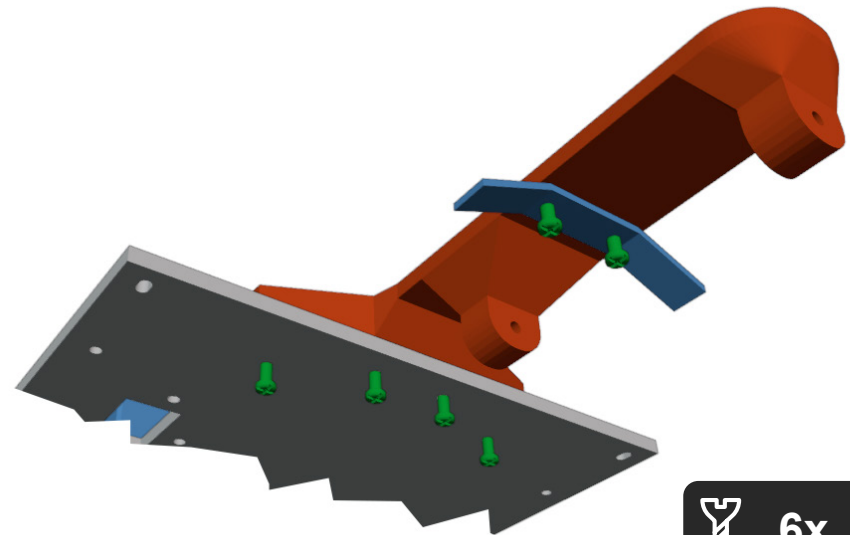
 7x M1x4



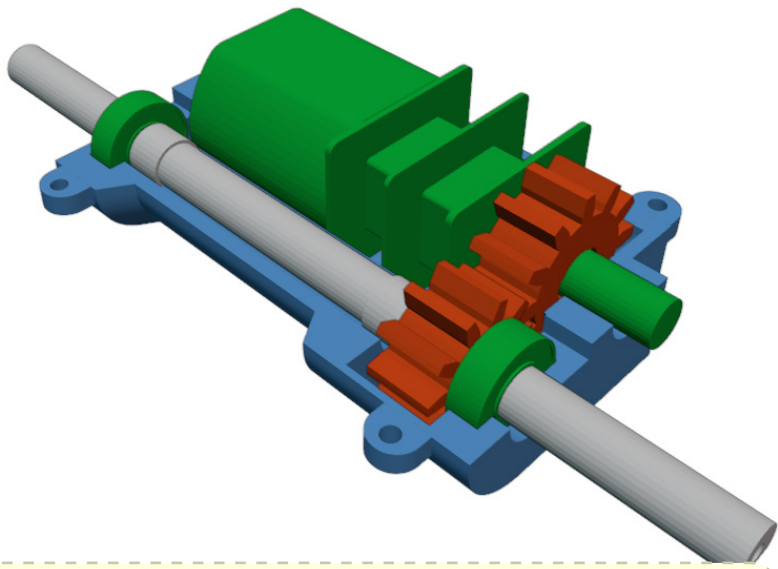
 4x M1x3



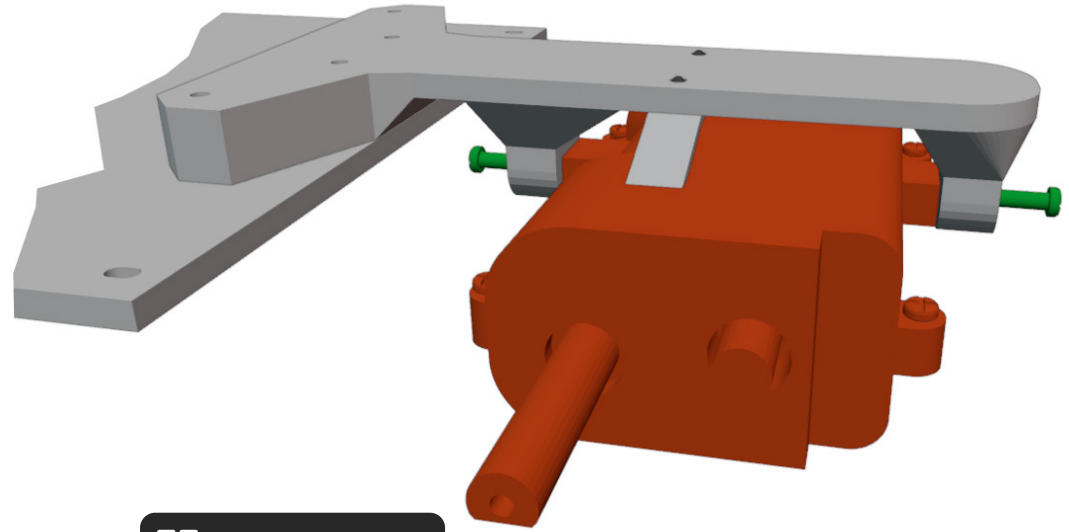
 2x M1x5



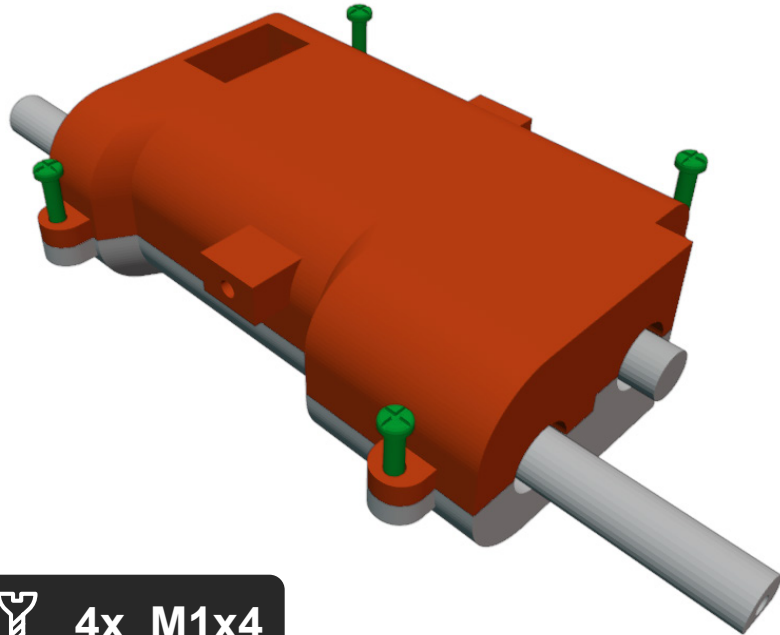
 6x M1x5



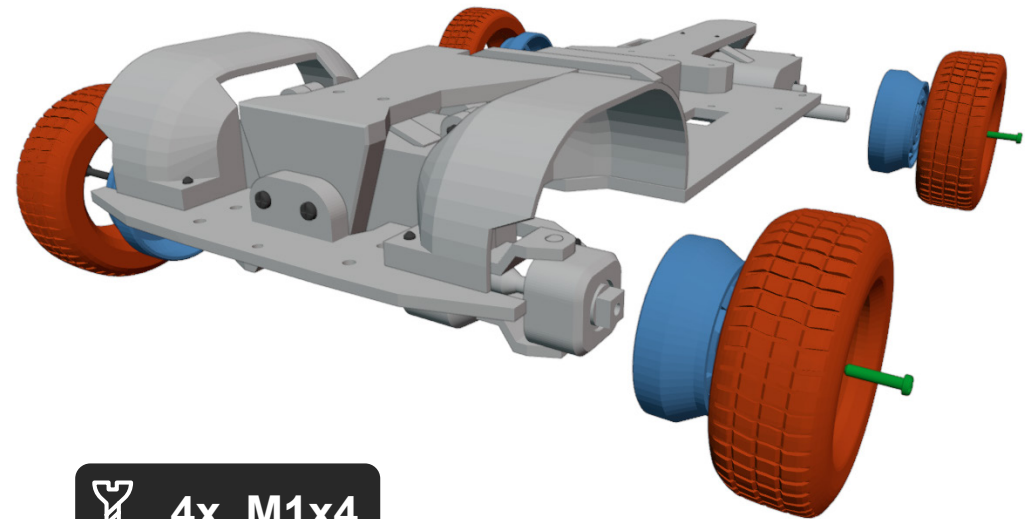
Bearings 6x3x2 should fit tight on axle. If axle is too big, you can use sandpaper.



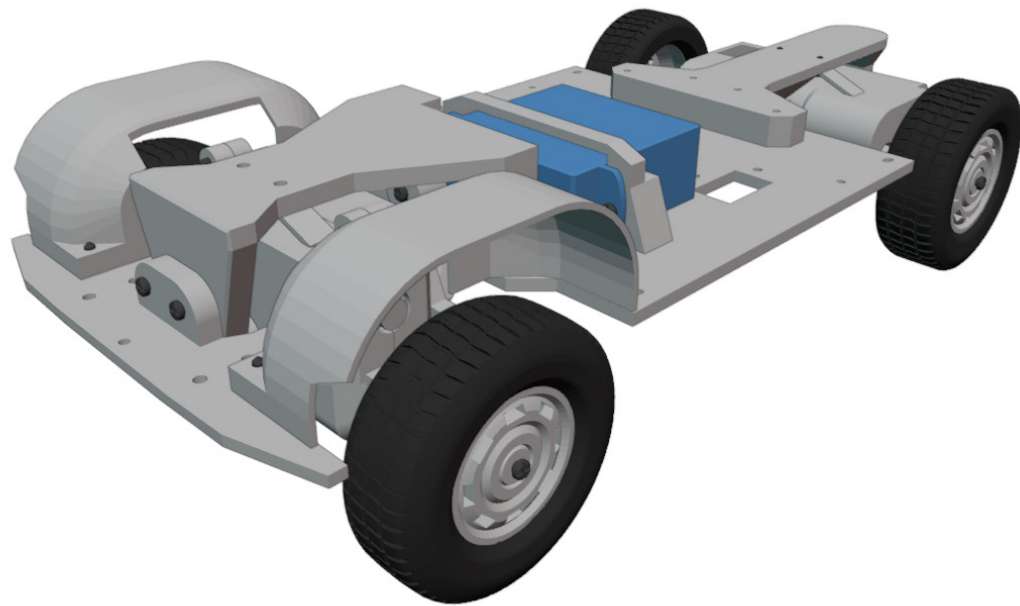
2x M1x4



4x M1x4



4x M1x4



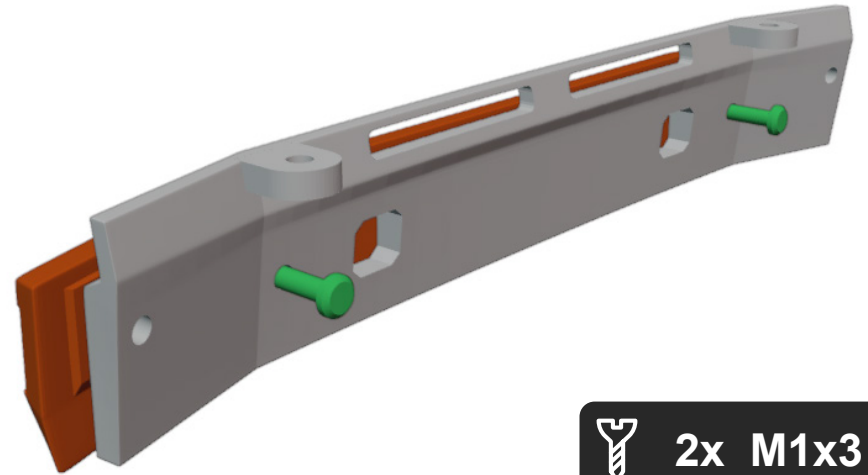
Great job!

The chassis is done!
Now let's do the body.

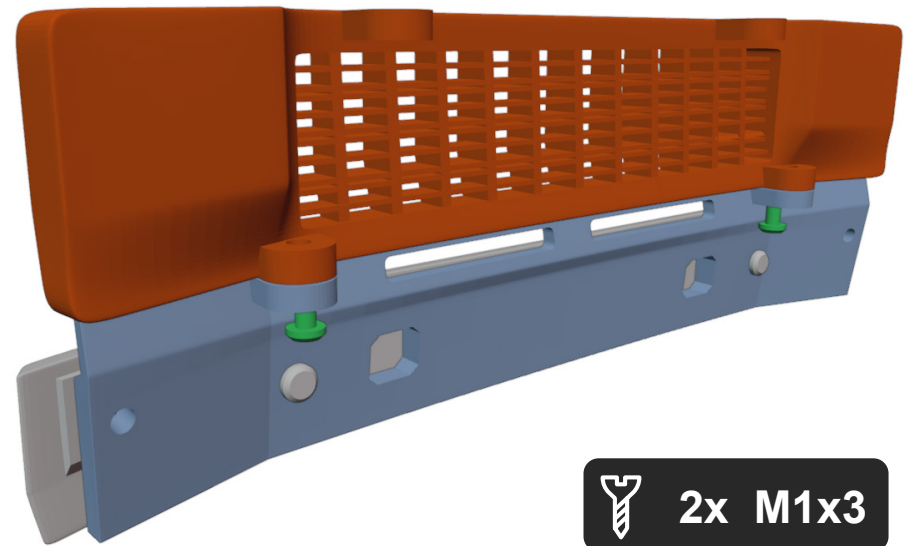




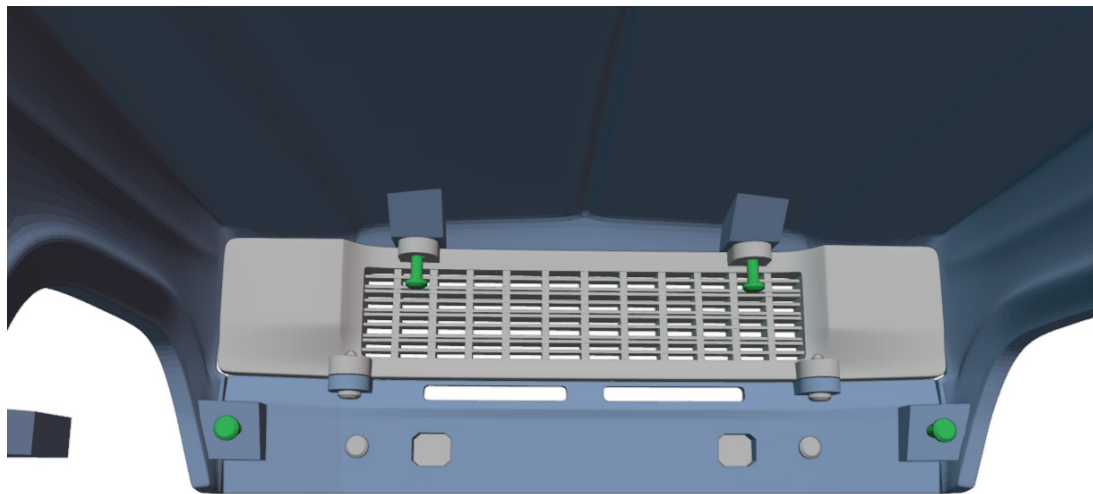
 4x M1x4



 2x M1x3



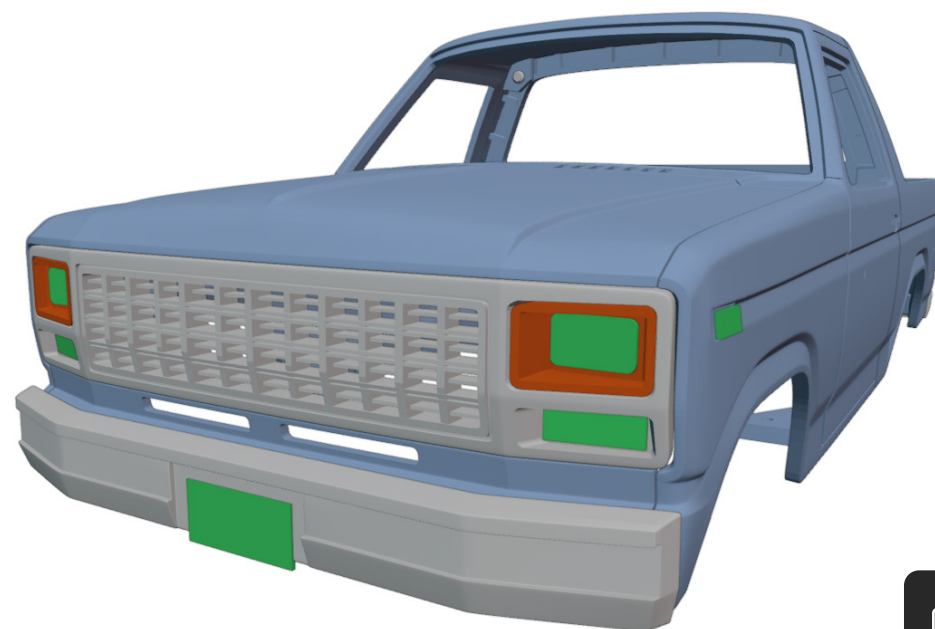
 2x M1x3

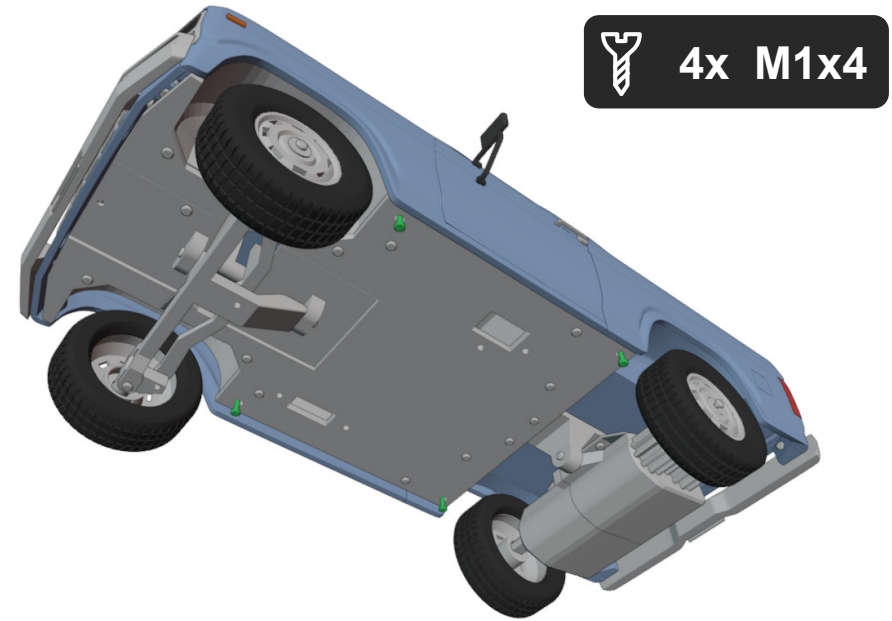
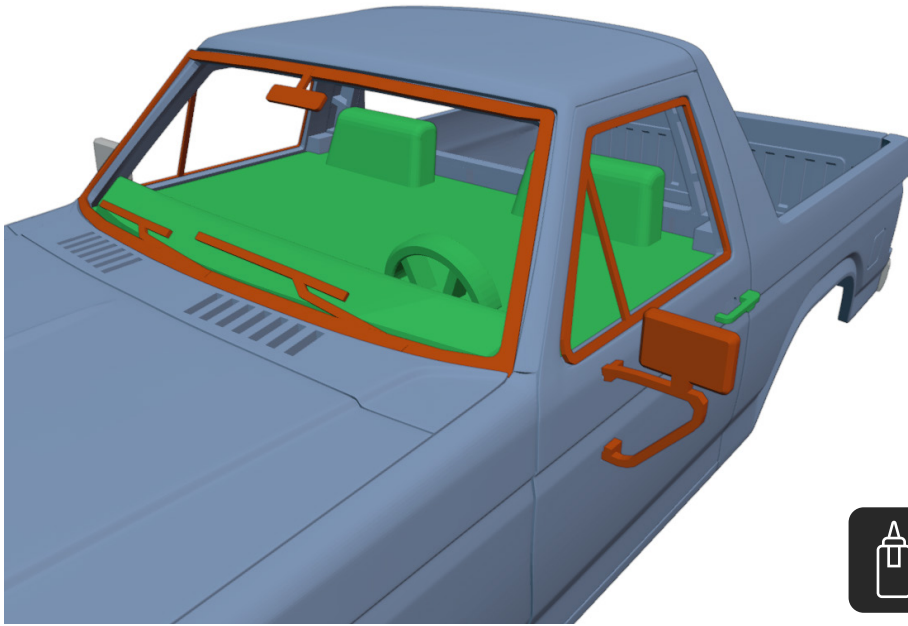


 4x M1x5



 2x M1x5





Great job!
We are done...
For more models, visit:
www.3drcmodels.com