

# BMW 530 i E39

1:24 scale, fully 3D printed on FDM



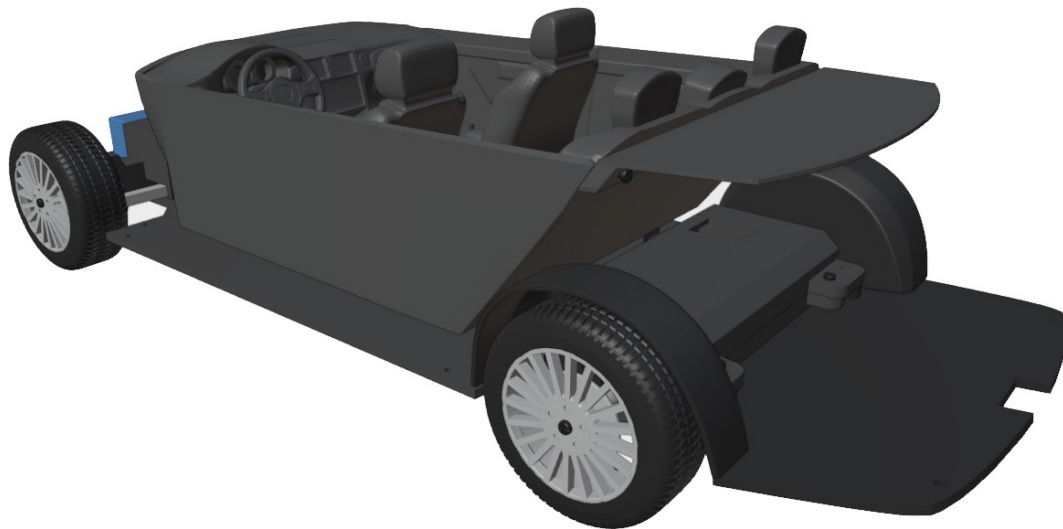
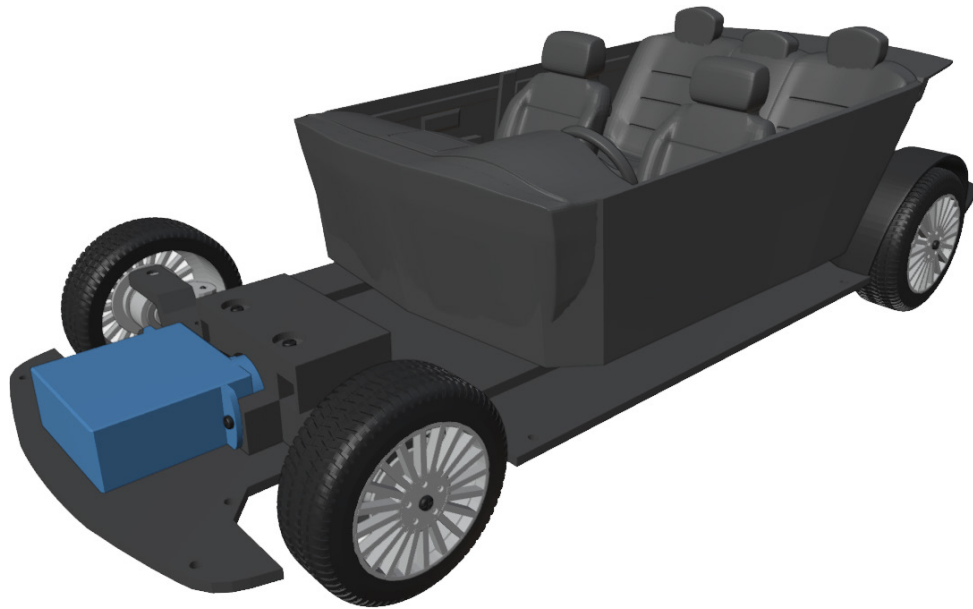
More models at:

**[www.3drcmodels.com](http://www.3drcmodels.com)**

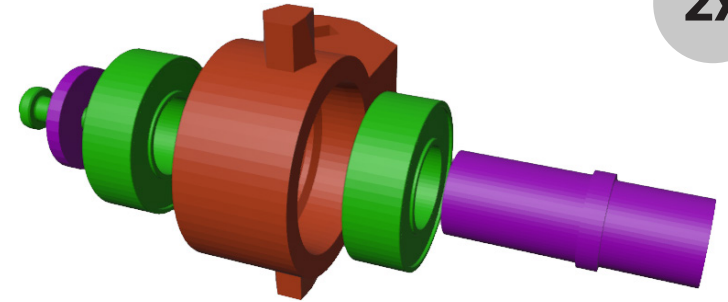
# 1. Chassis



4x 3x6x2mm bearings and shaft has to fit tightly



1

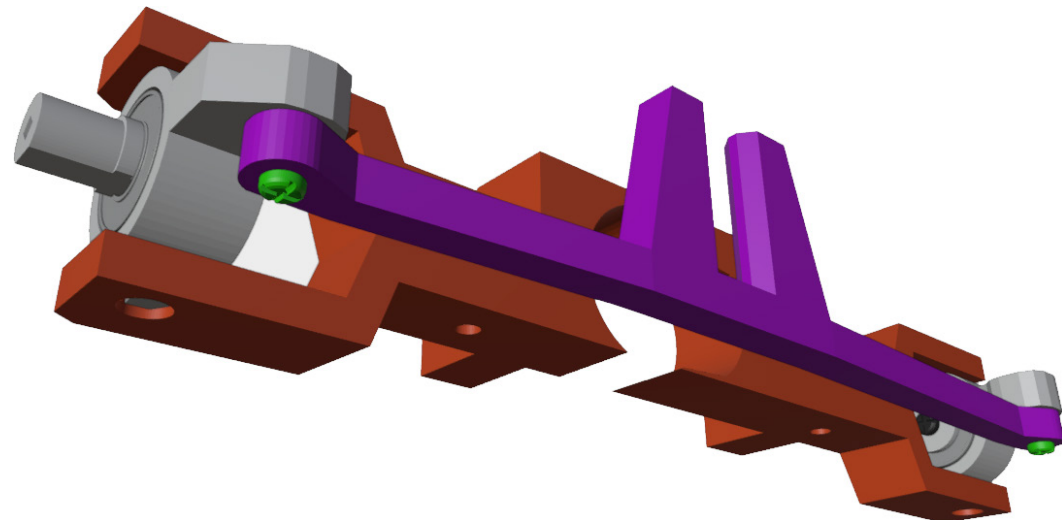


2x

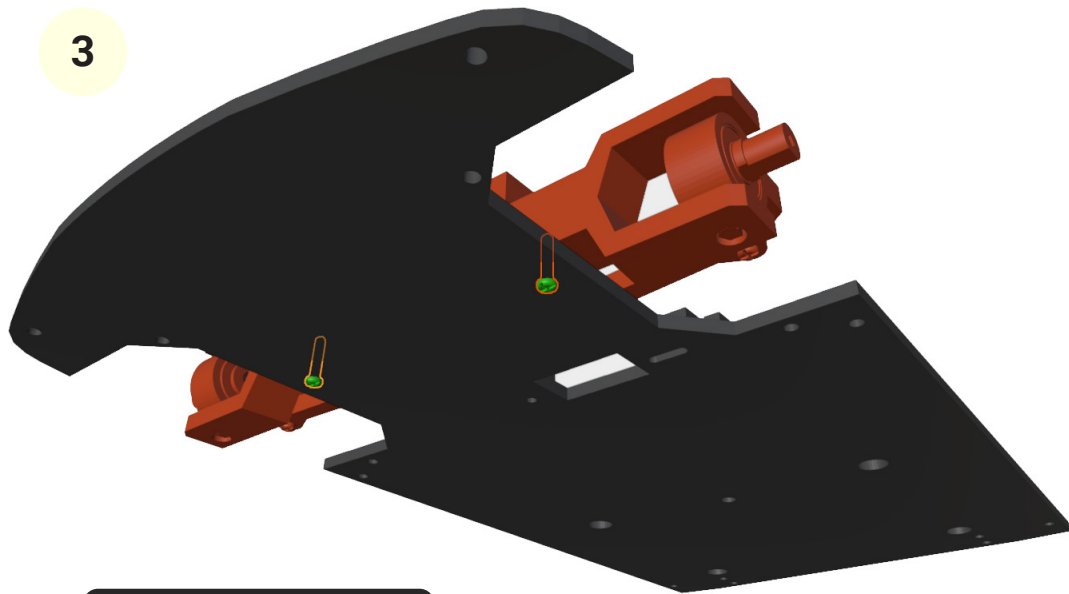
2



2x M1.2x5

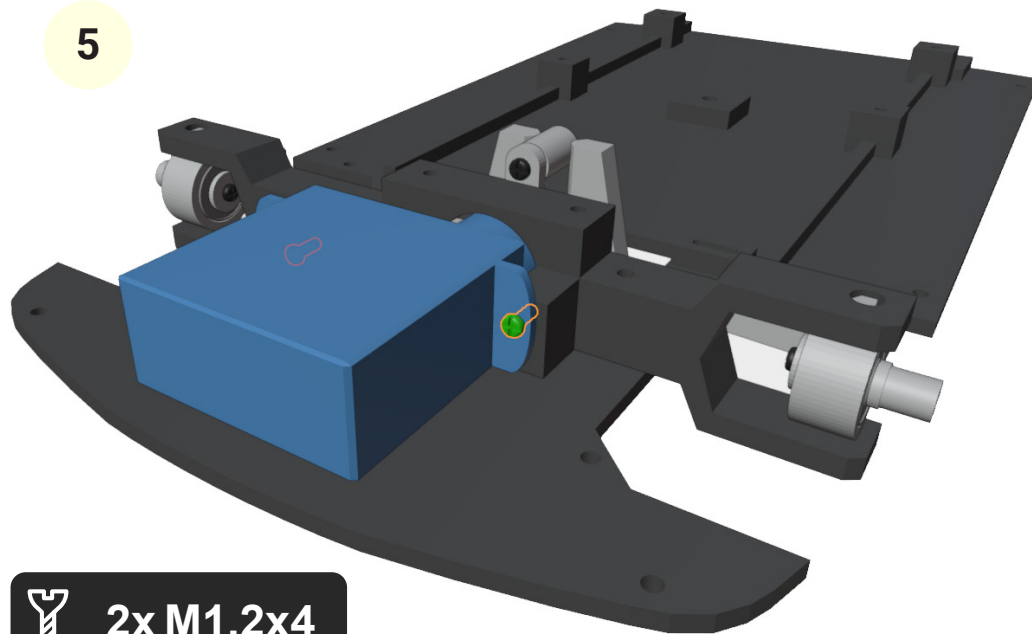


3



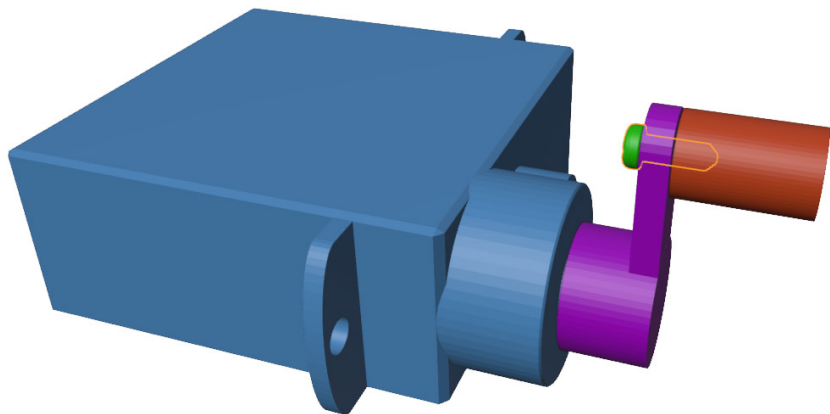
 2x M1.2x5

5



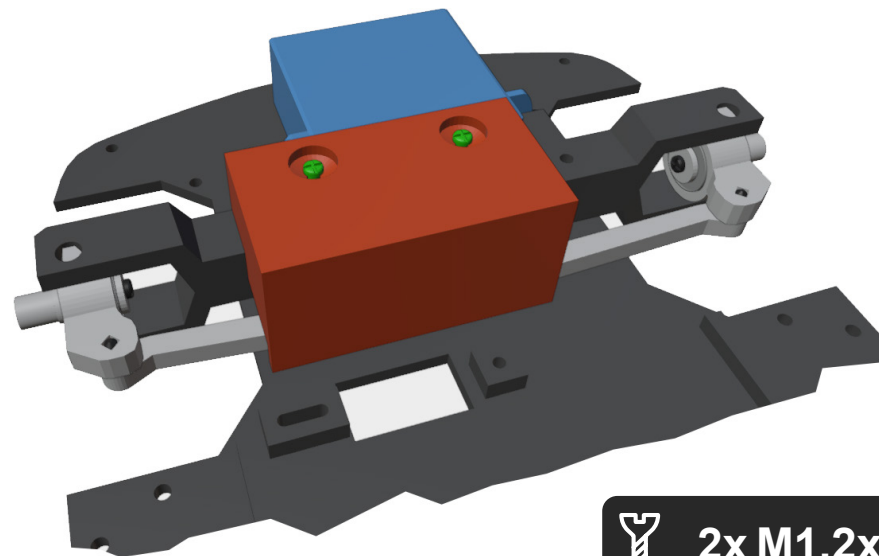
 2x M1.2x4

4

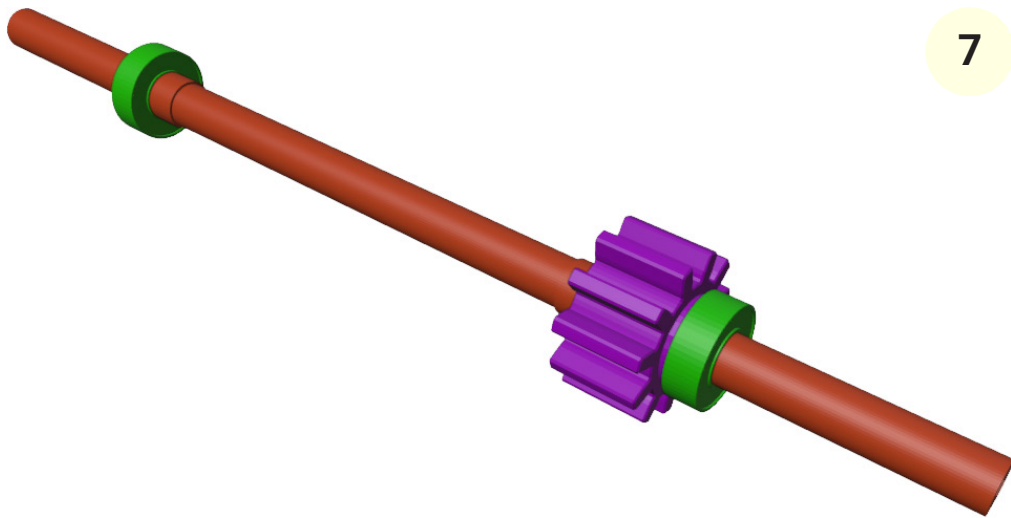


 1x M1.2x4


6

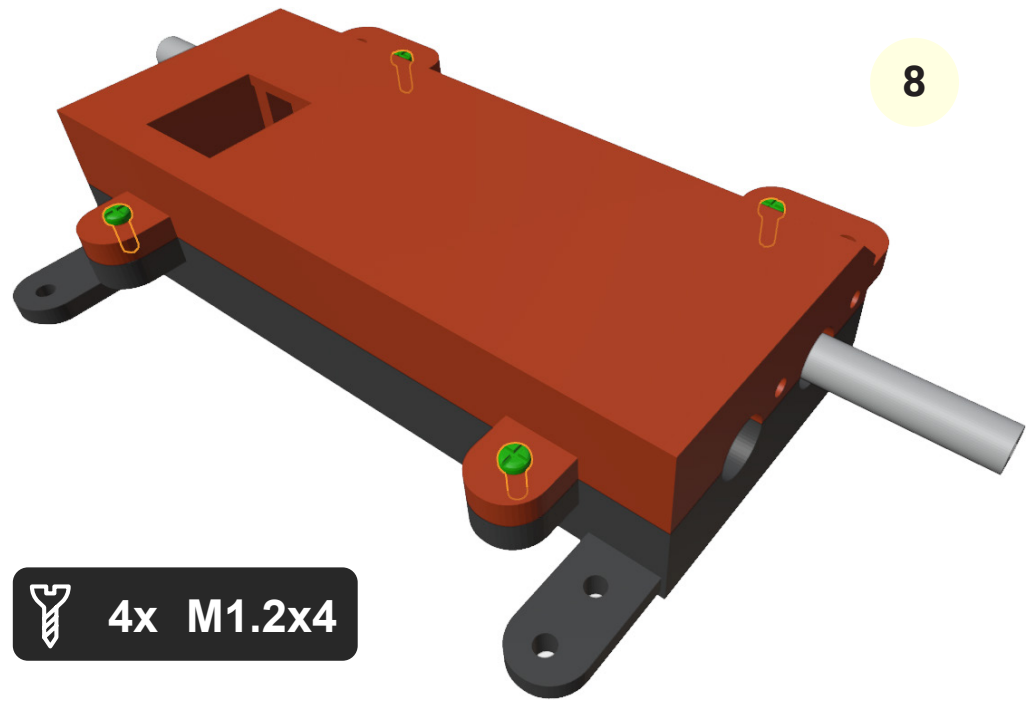


 2x M1.2x4



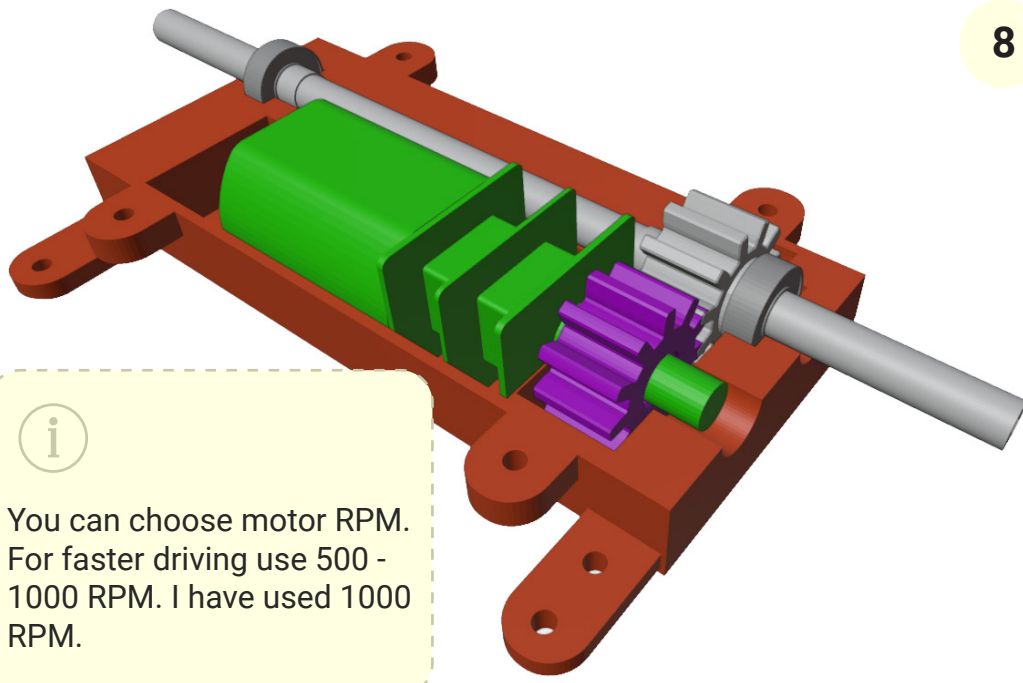
7

 2x 3x6x2mm bearings and shaft has to fit tightly




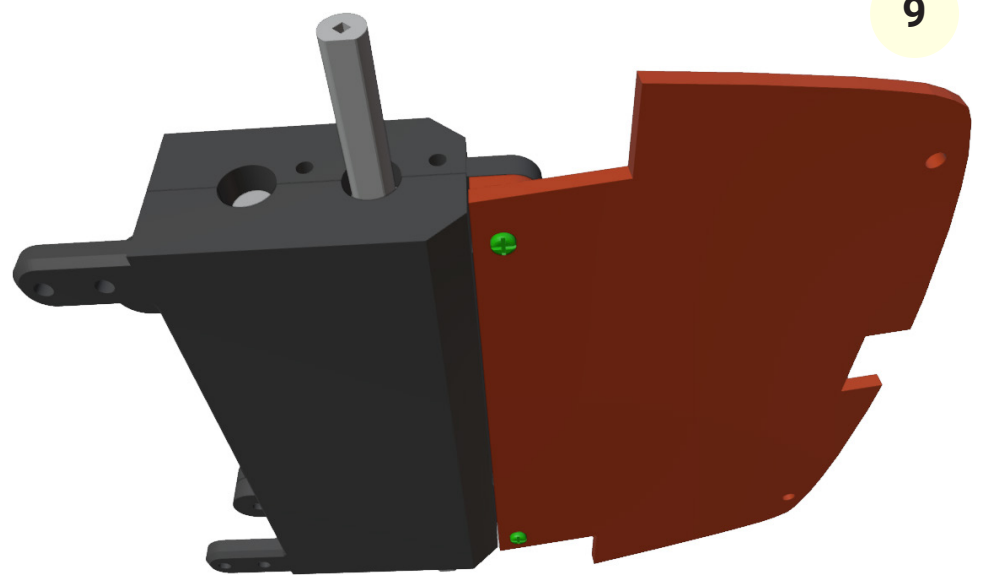
8

 4x M1.2x4



8

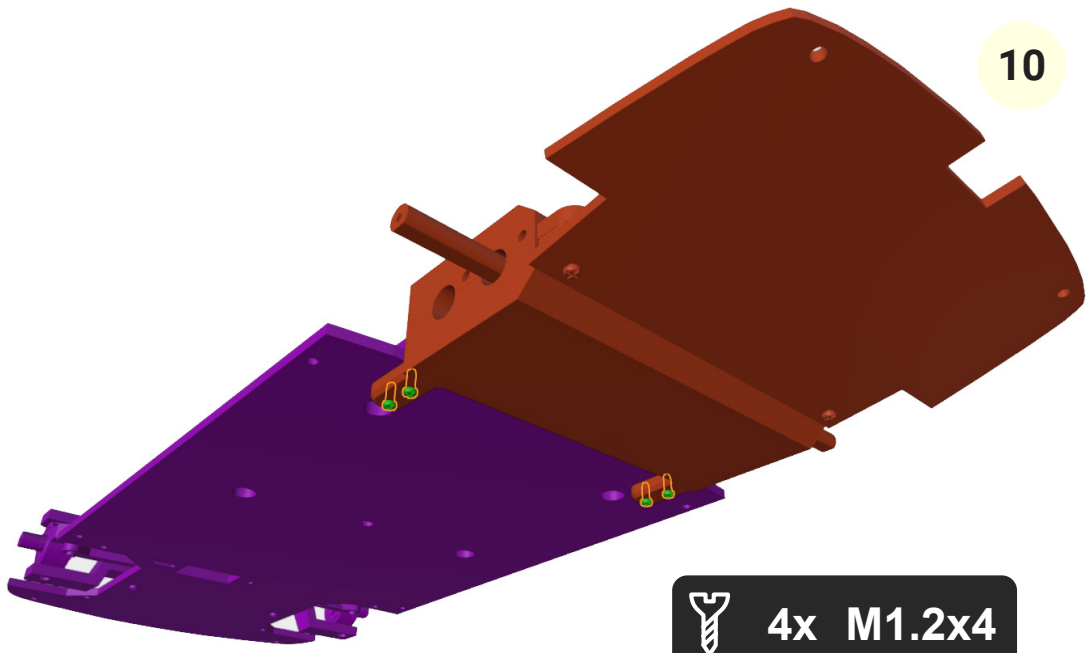
 You can choose motor RPM. For faster driving use 500 - 1000 RPM. I have used 1000 RPM.



9

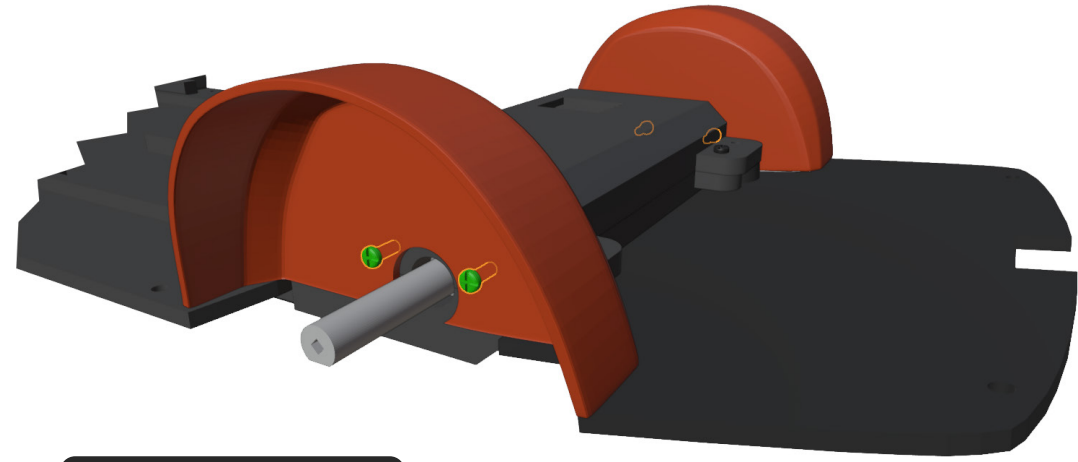
 2x M1.2x4

10



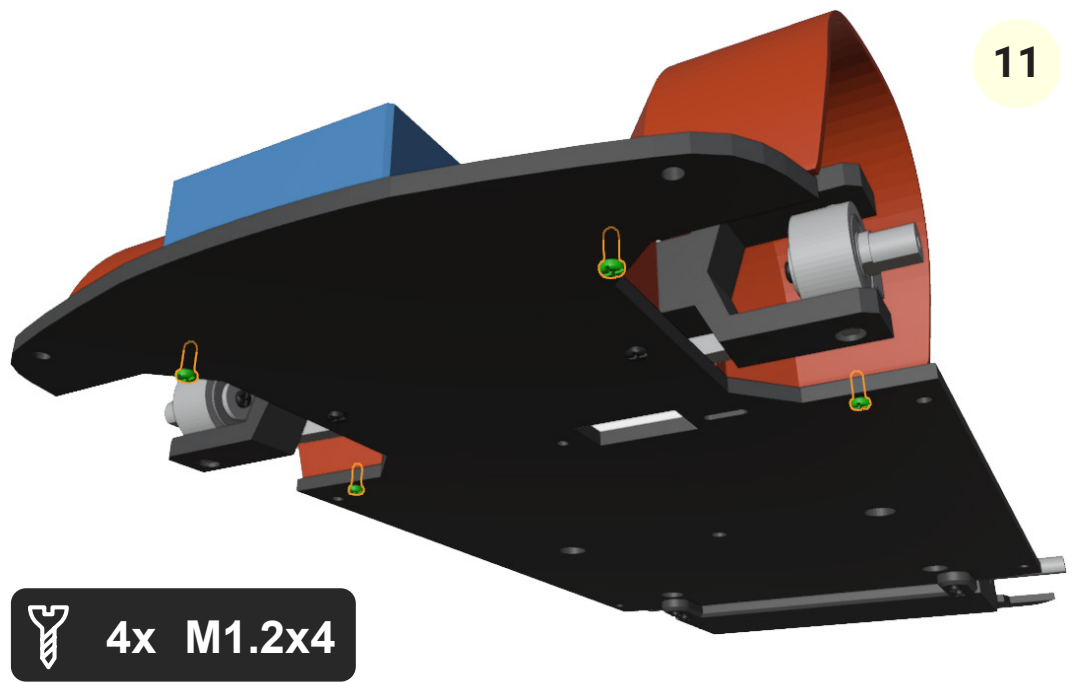
 4x M1.2x4

12



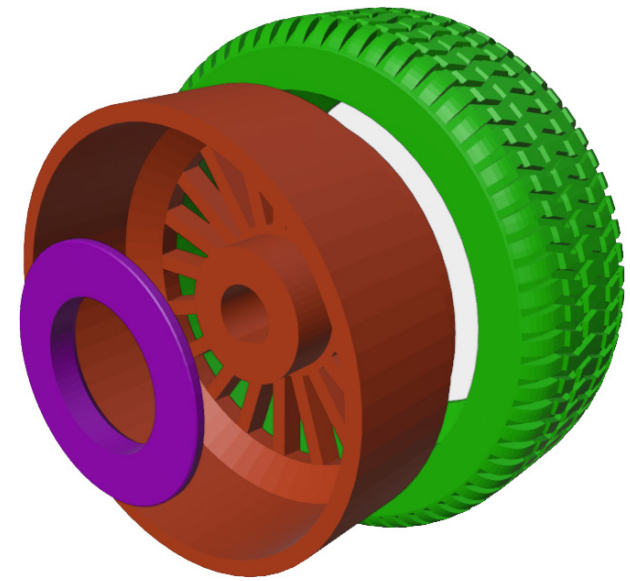
 4x M1.2x4

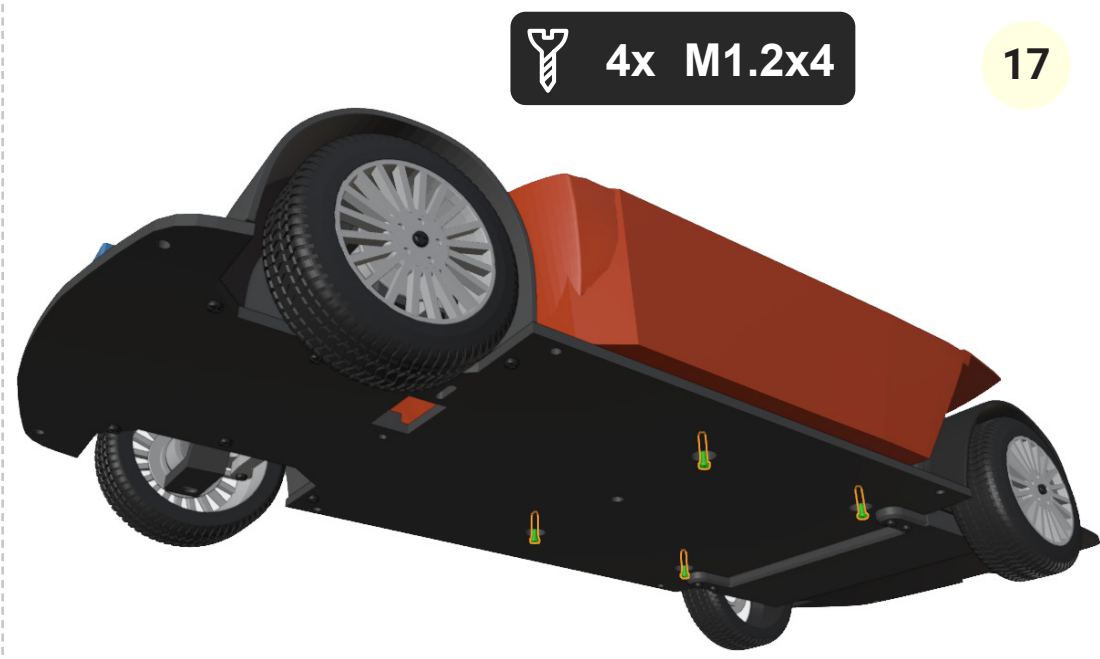
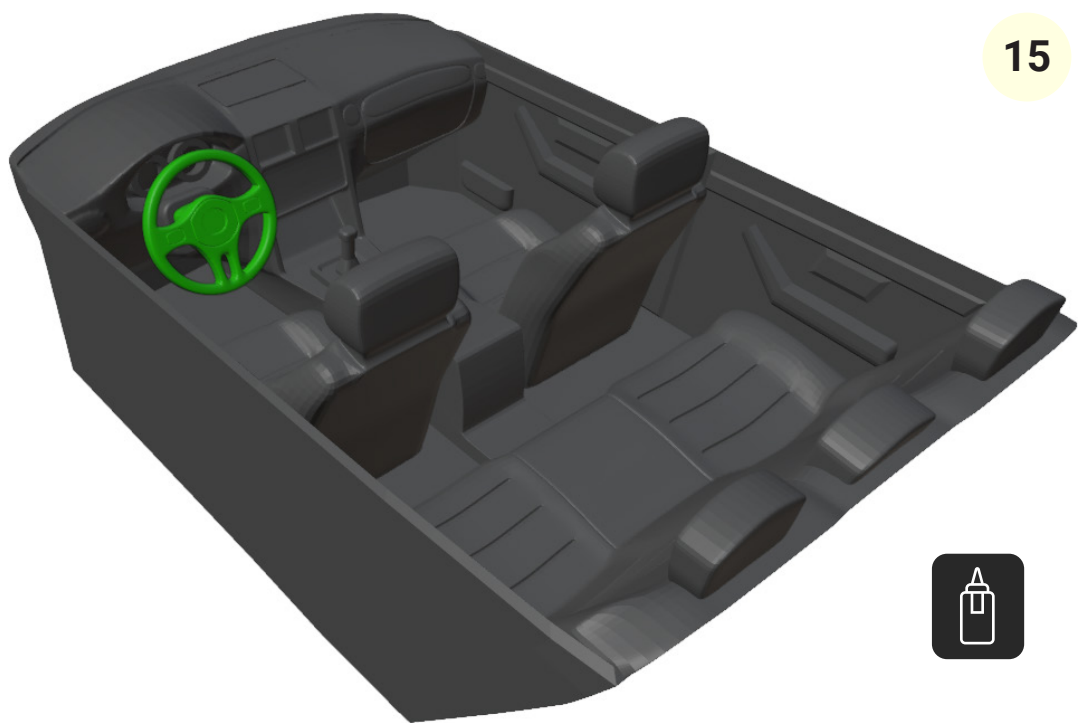
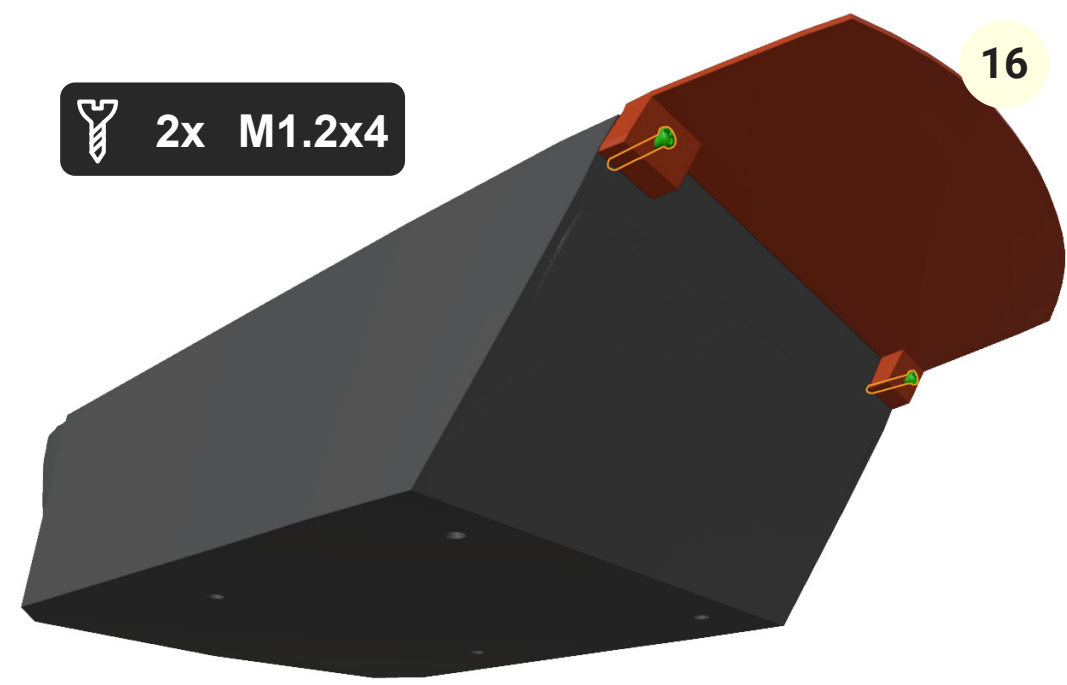
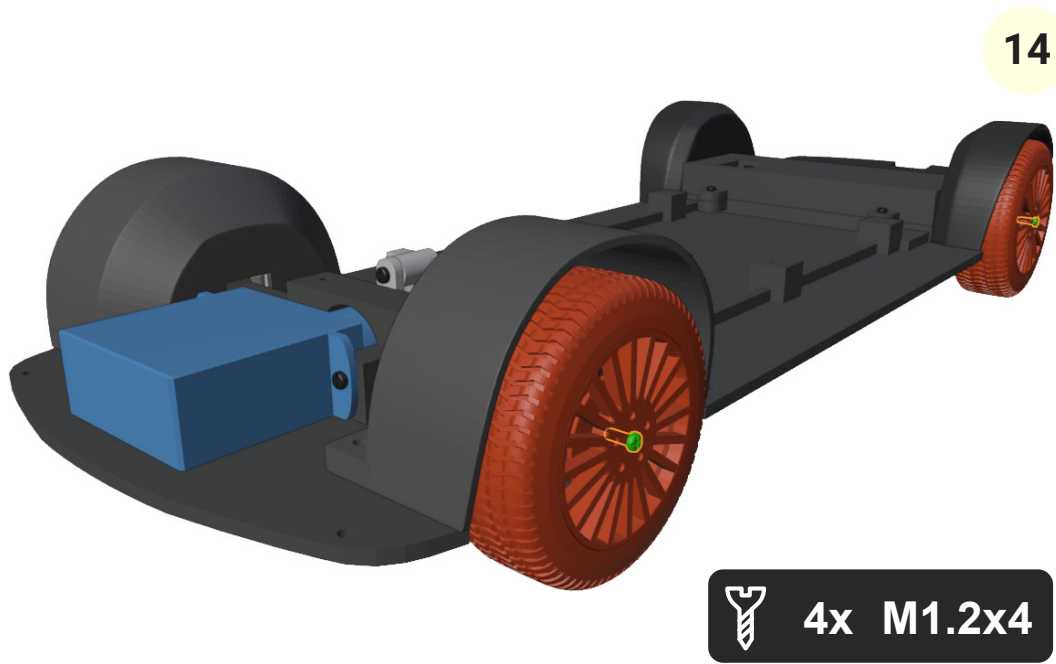
11



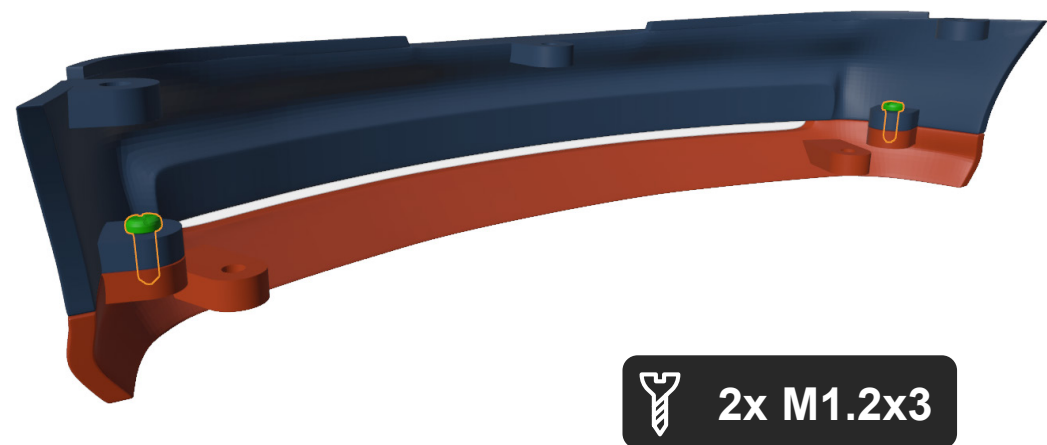
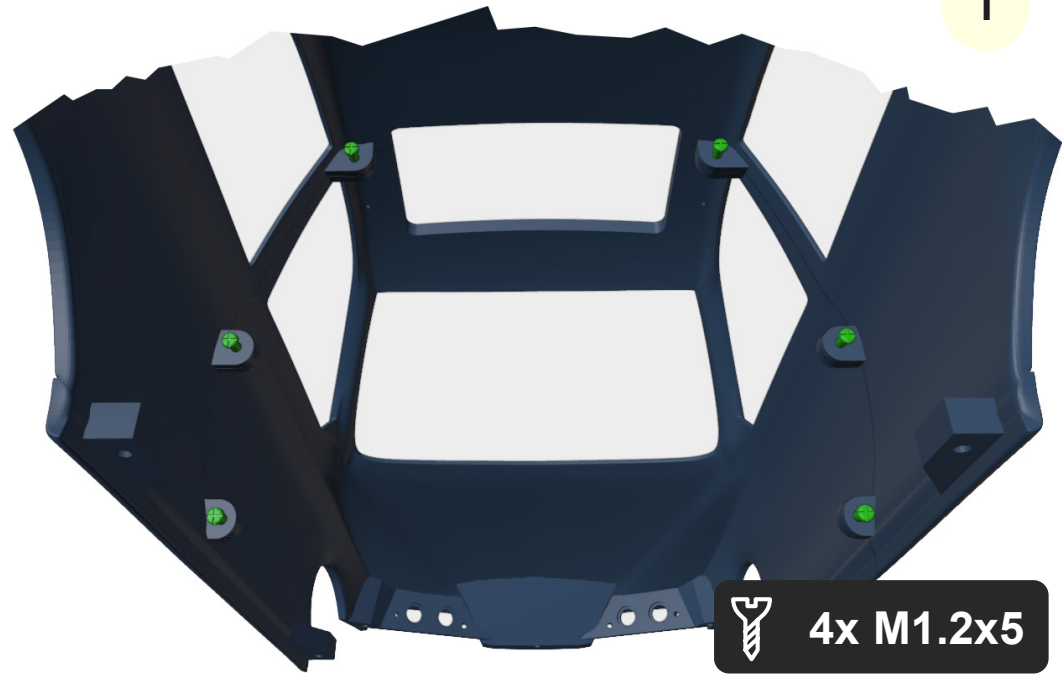
 4x M1.2x4

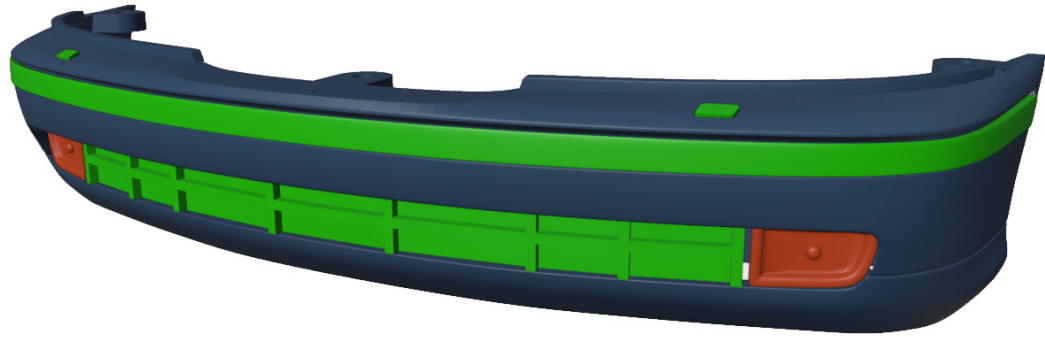
13





## 2. Body



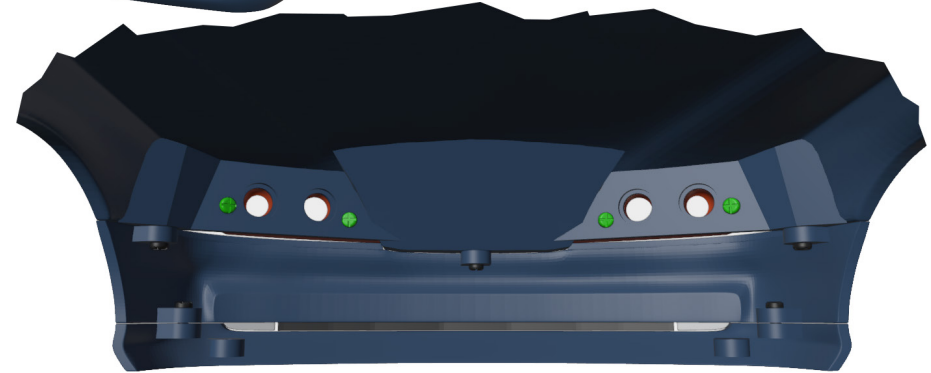


3



5

 4x M1.2x4



4



6

 3x M1.2x4





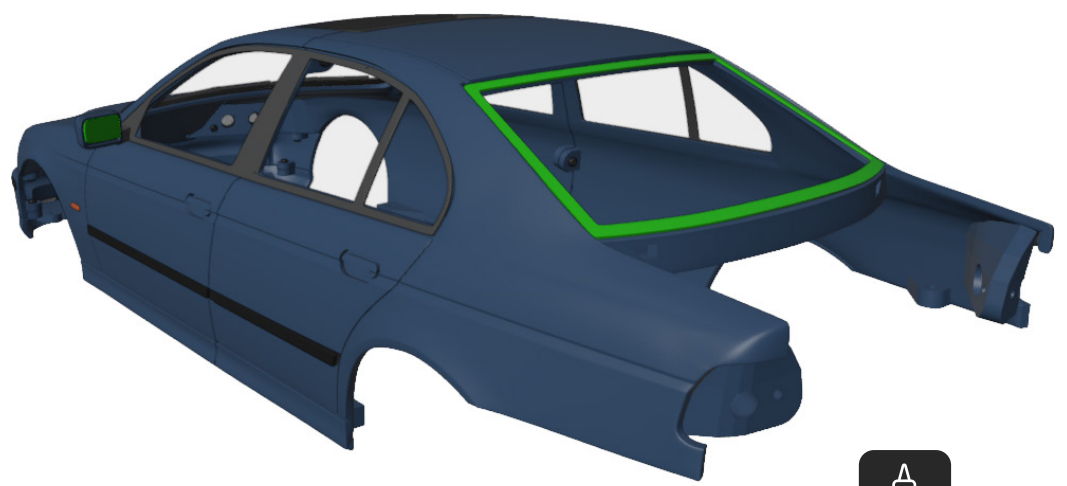


7

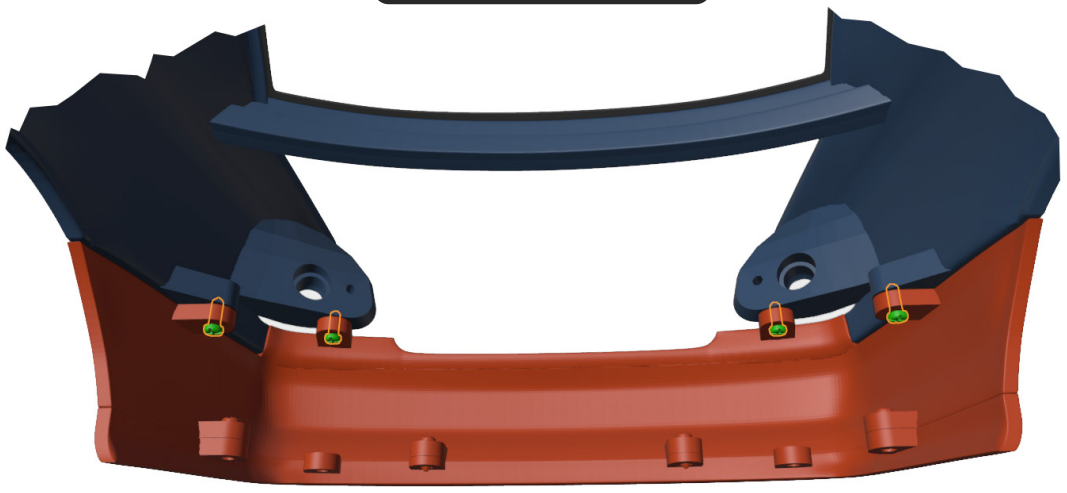


9

 4x M1.2x4



8



10

 4x M1.2x4

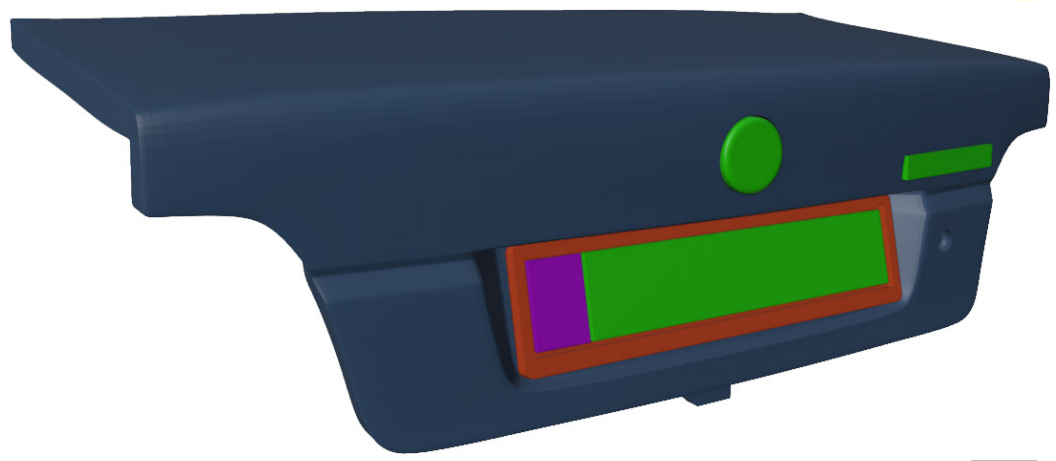


 2x M1.2x4

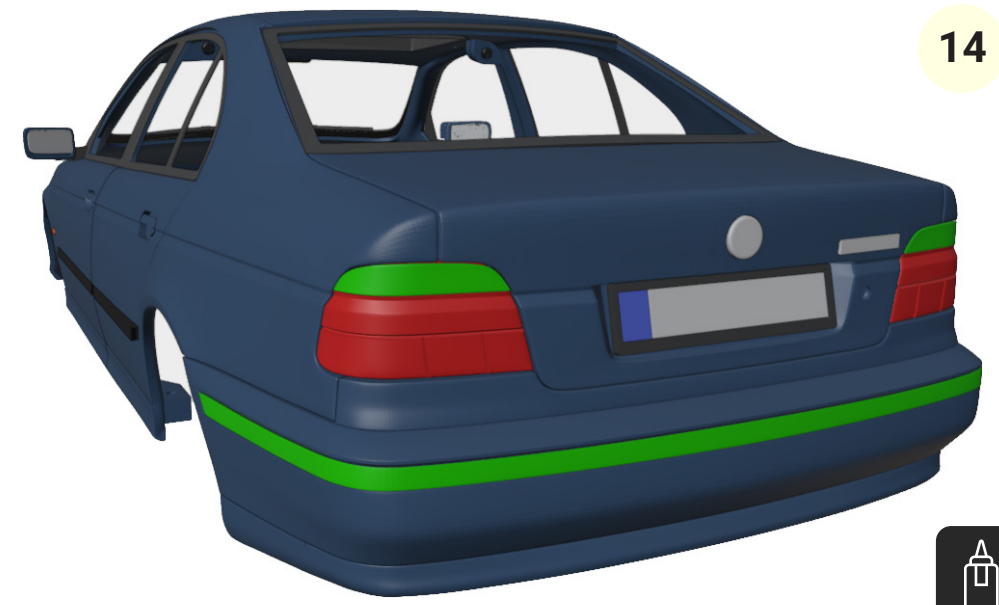
11



13



12

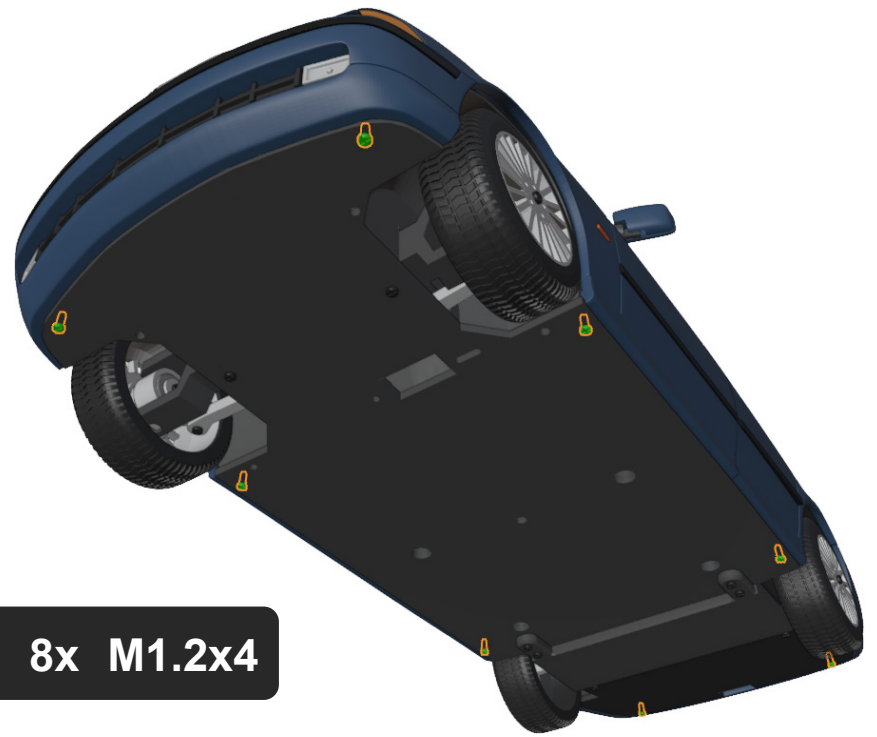


14

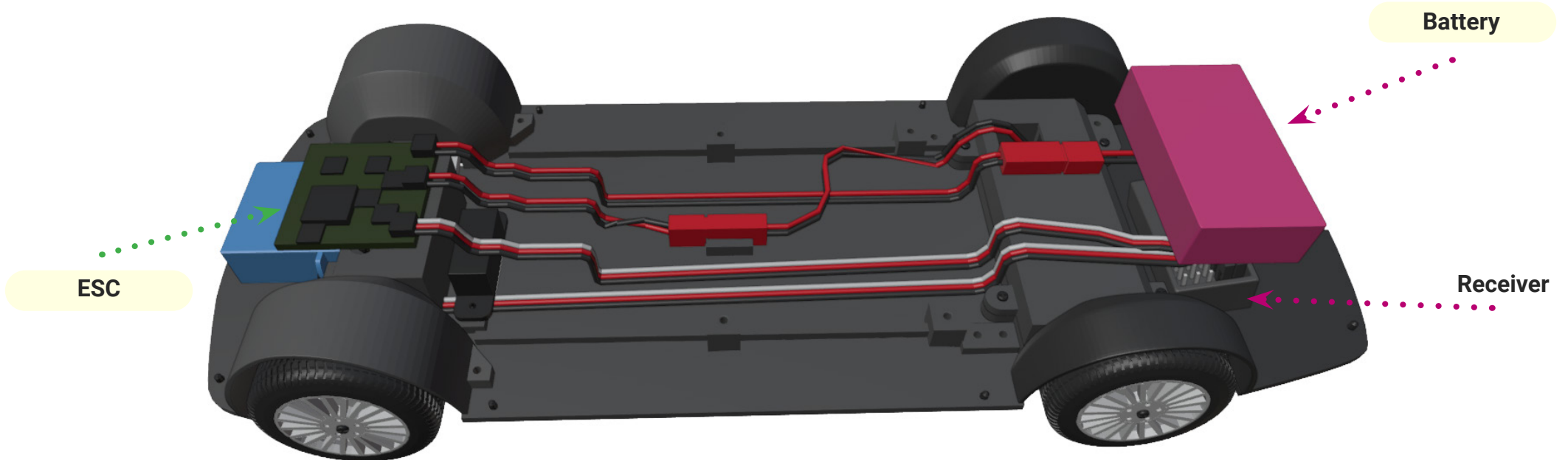


**Great job!**

We are almost done  
Now lets complete the car.



 8x M1.2x4



ESC

Battery

Receiver



**Great job!**

We are done...

For more models, visit:

**[www.3drcmodels.com](http://www.3drcmodels.com)**