

# Volvo V70 2002

1:24 scale, fully 3D printed on FDM



More models at:

**[www.3drcmodels.com](http://www.3drcmodels.com)**

# Non printed parts

## Screws

24x M1.2 x 5mm

63x M1.2 x 4mm

2x M1 x 4mm



## Bearings

4x 3x6x2



2x 5x8x3



*\* If you DONT want to build car as RC, you don't need any bearings*

## RC electronic *\* Optional if you want to have it as RC*



**2S ESC**

*\* No fancy ESC required.*



**2x 6V DC Motor**

*\* cca 1000 RPM*



**2S Lipo battery**

*\* Around 400mah is more than enough.*



**RC Set**

*\* Just basic RC set will do the job*

# Prologue

## Thank you

Thank you for supporting my hobby by buying this model. I had great time designing this kit and I hope you will have same building it and playing with it. Thanks small scale, it's very easy, cheap and quick to print and build.

More models can be found at  
[www.3drcmodels.com](http://www.3drcmodels.com)

## Warning!

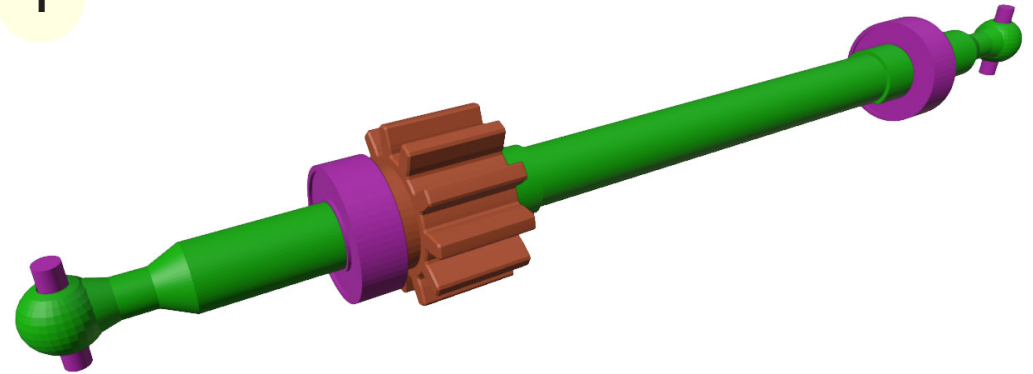
Please be careful! Kit contain lots of small parts that can be swallow by infant. Event after build is finished, small parts can be ripped off and can be dangerous. I don't recommend giving this toy to kid younger 3 years.

# 1. Chassis

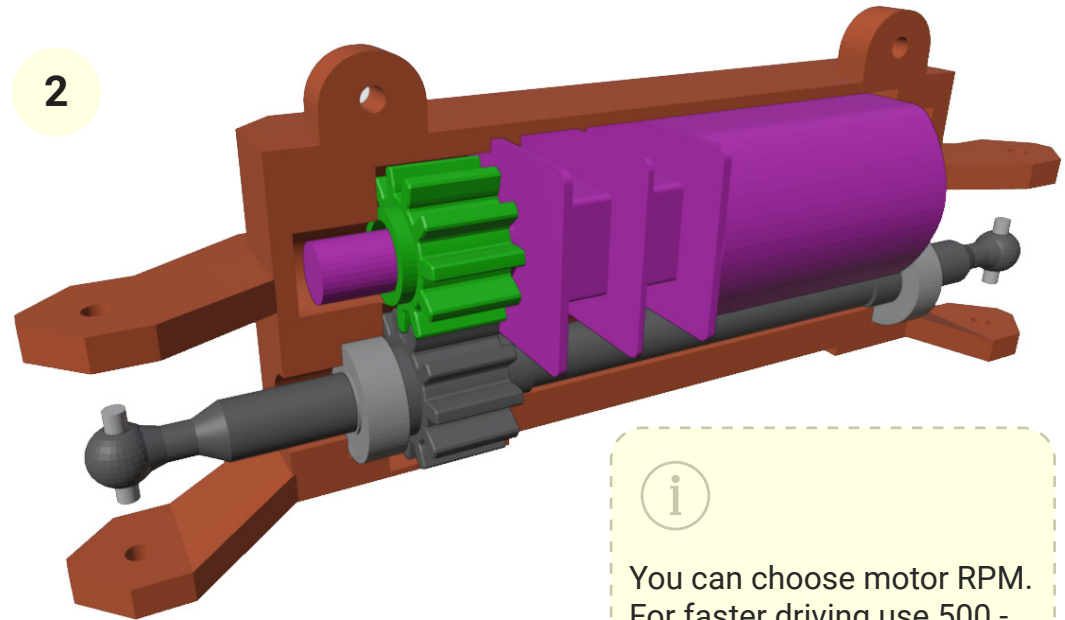


2x 3x6x2mm bearings and shaft has to fit tightly

1



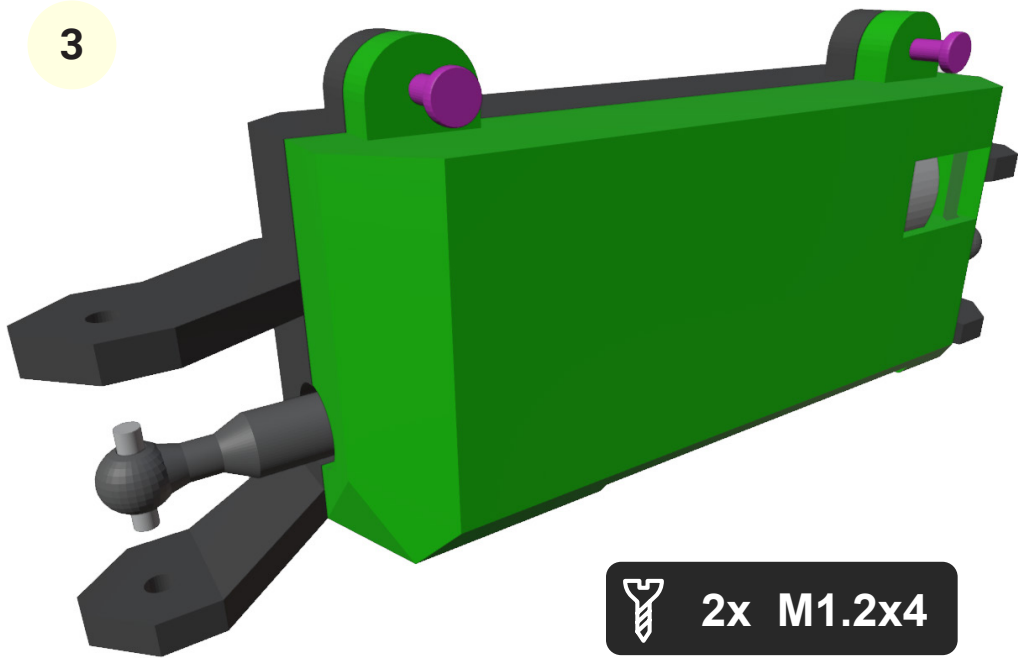
2



You can choose motor RPM. For faster driving use 500 - 1000 RPM. I have used 1000 RPM.

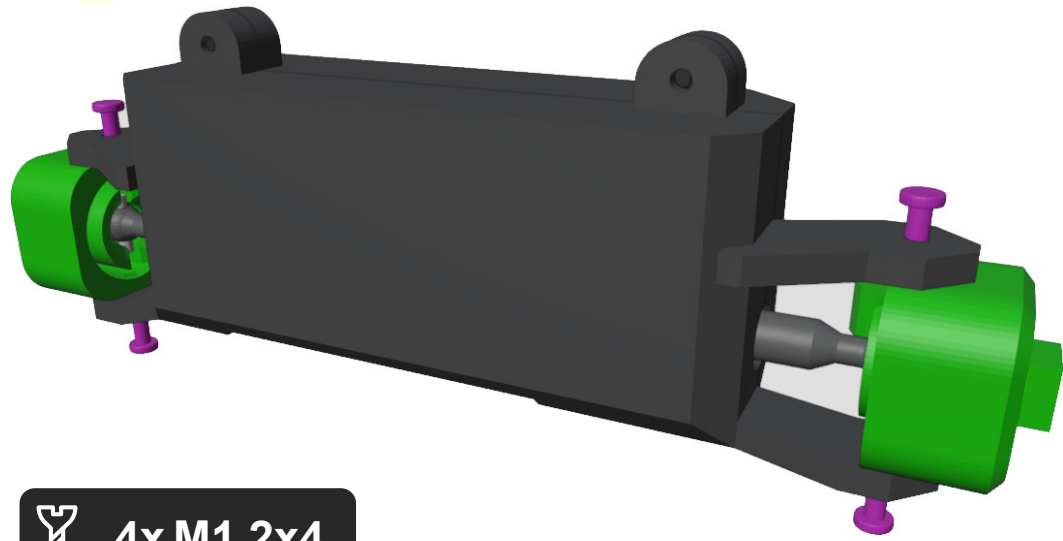


3



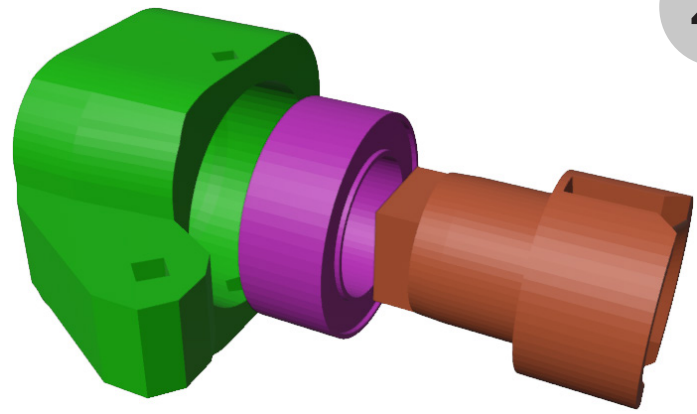
 2x M1.2x4

5




 4x M1.2x4

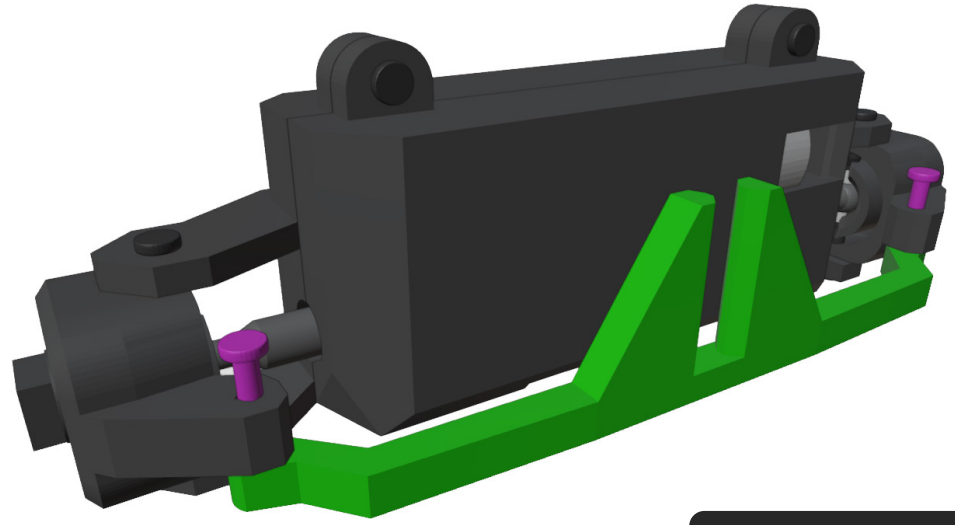
4



2x

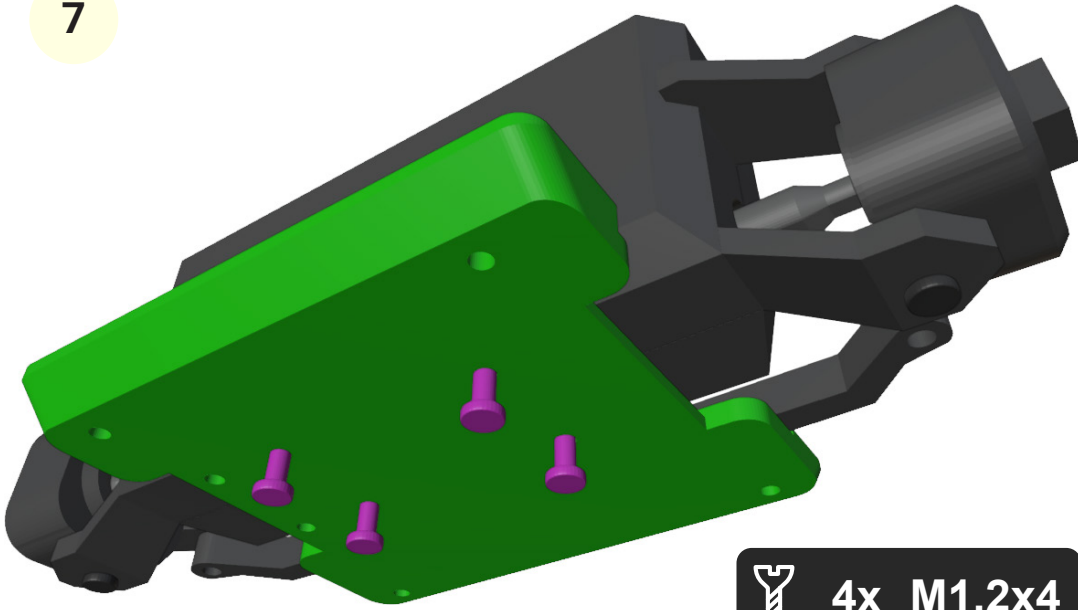
 2x 5x8x3mm bearings and shaft has to fit tightly

6



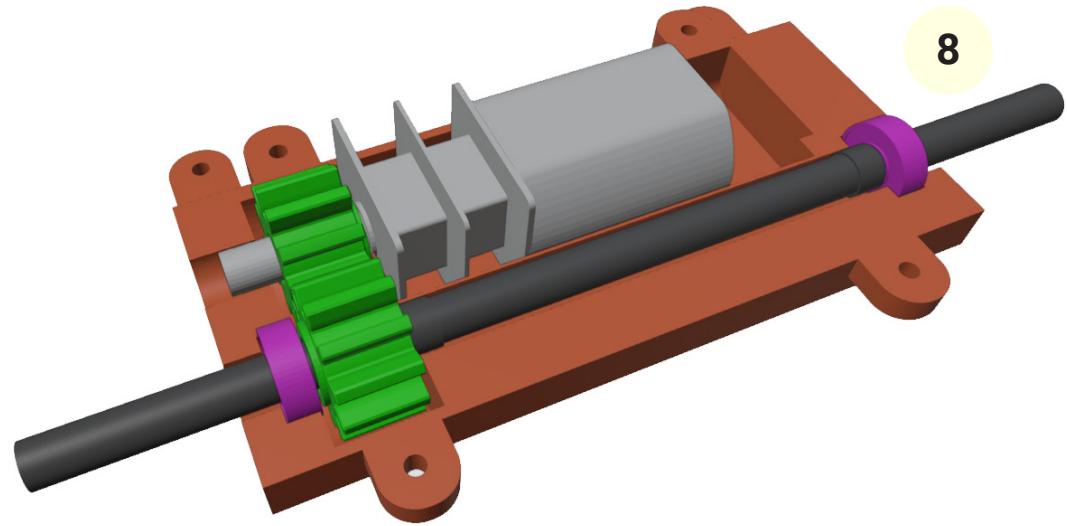
 2x M1.2x4


7



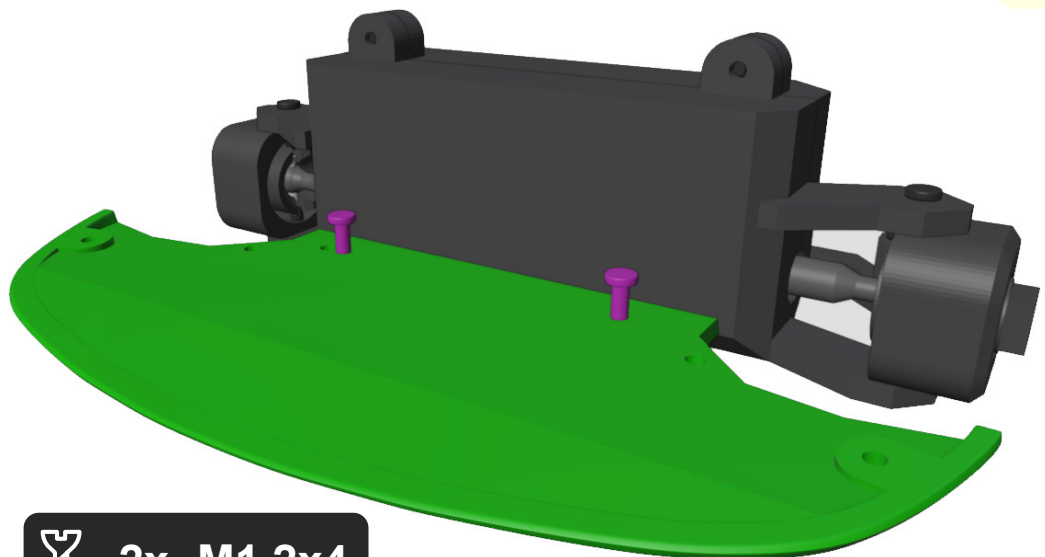
 4x M1.2x4

8



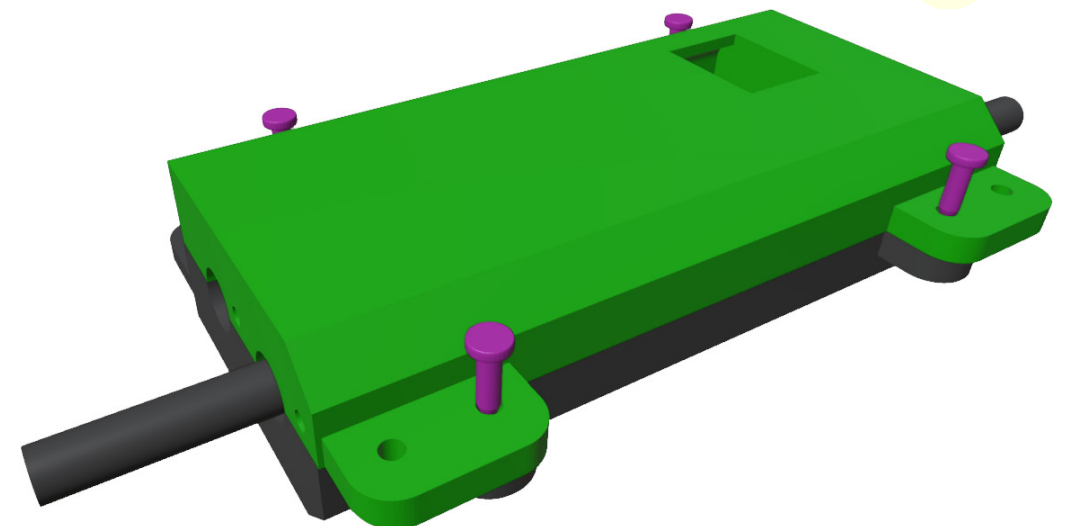
 2x 3x6x2mm bearings and shaft has to fit tightly

8



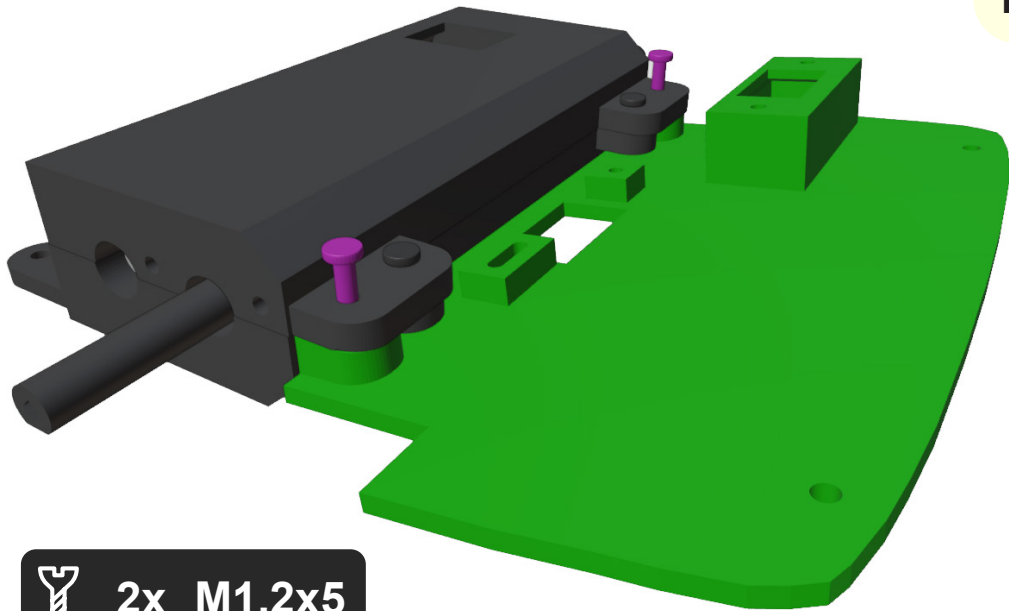
 2x M1.2x4

9



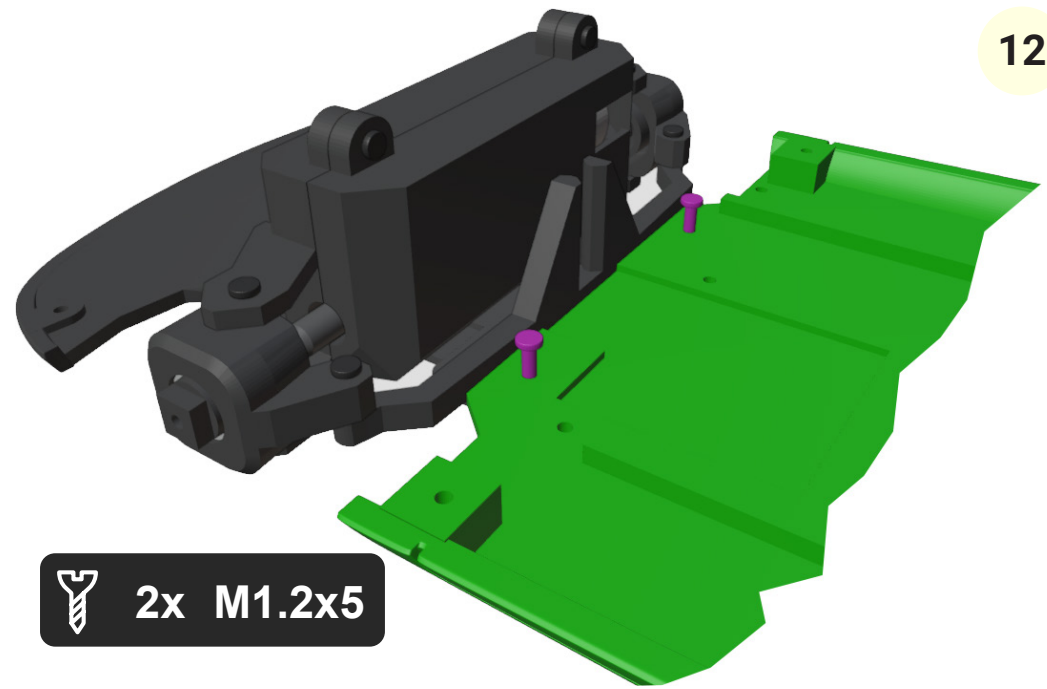
 4x M1.2x4

10



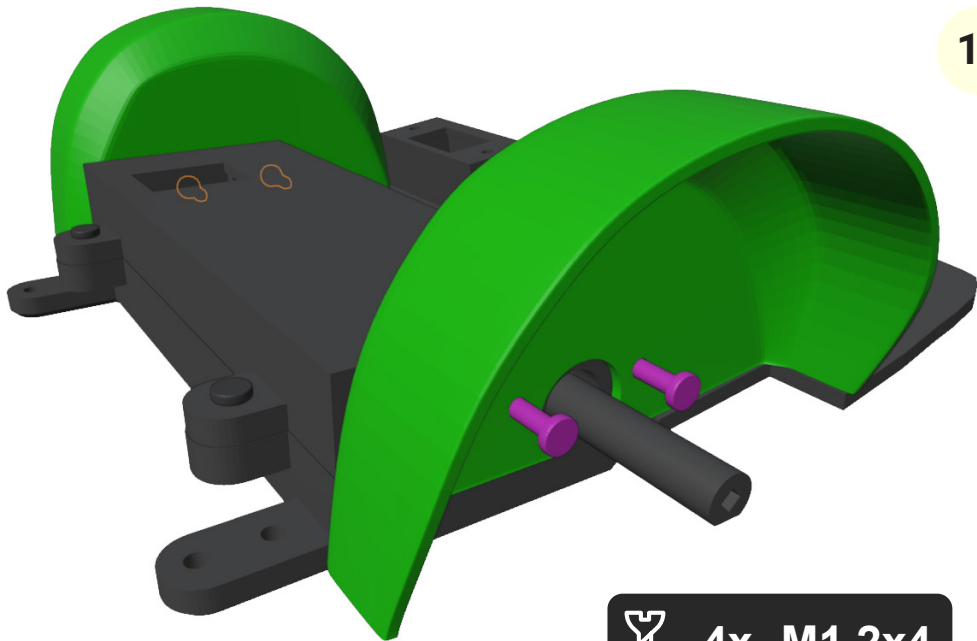
 2x M1.2x5

12



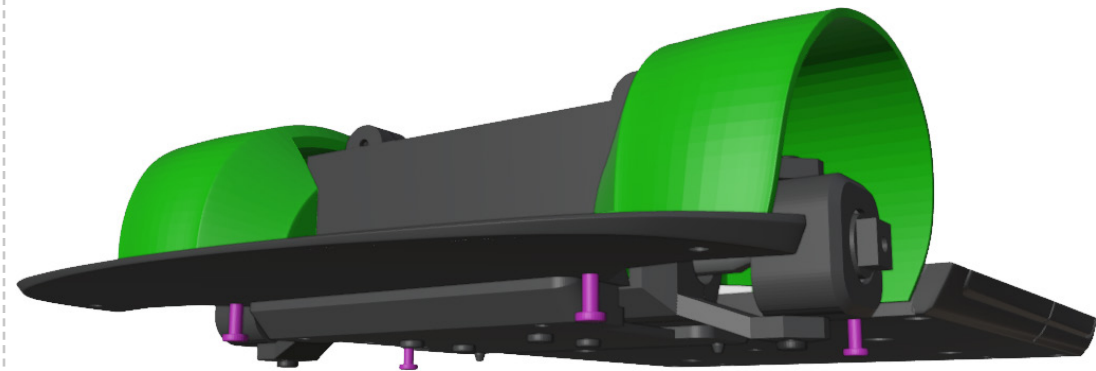
 2x M1.2x5

11



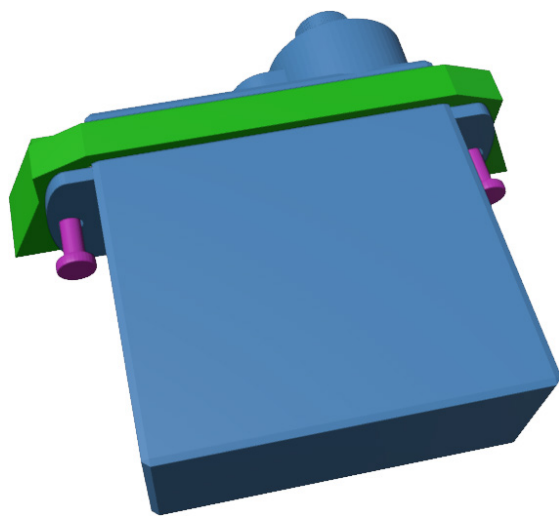
 4x M1.2x4

13



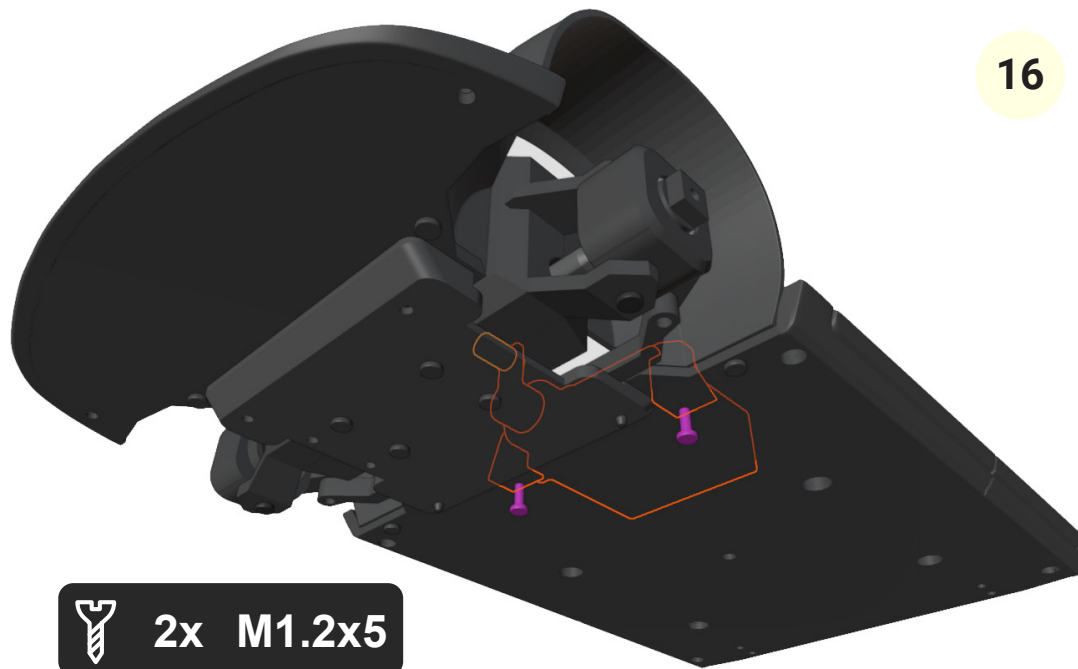
 4x M1.2x4

14



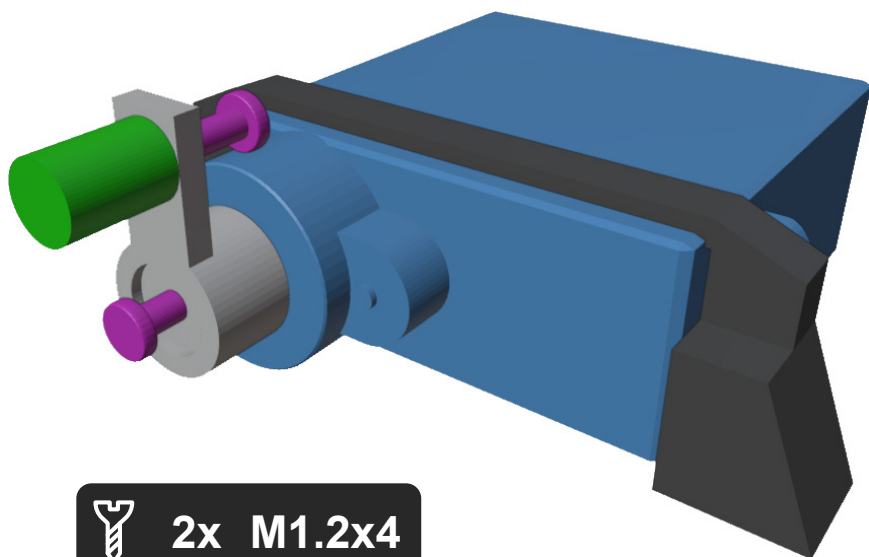
 2x M1.2x4

16



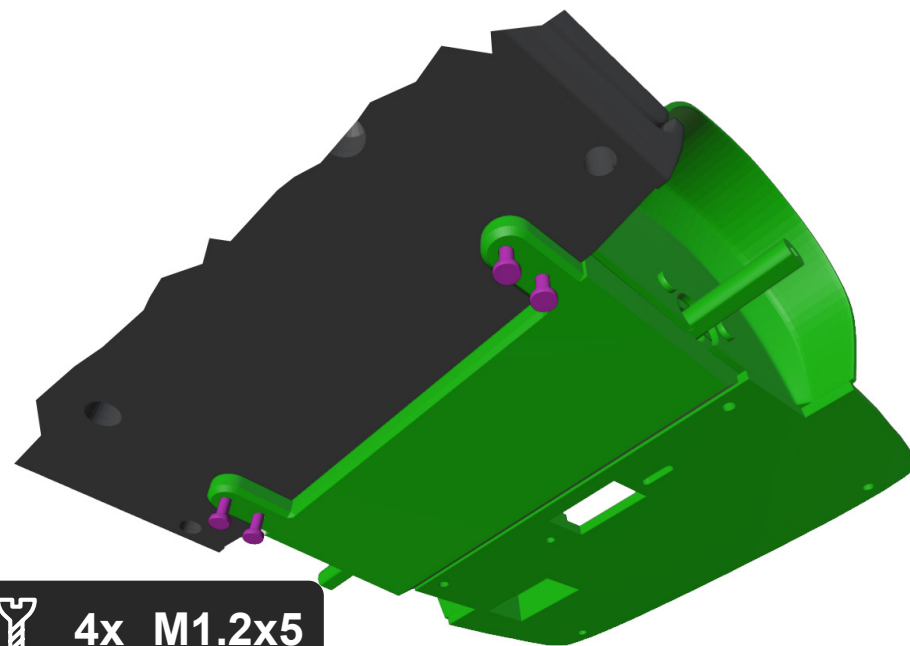
 2x M1.2x5

15

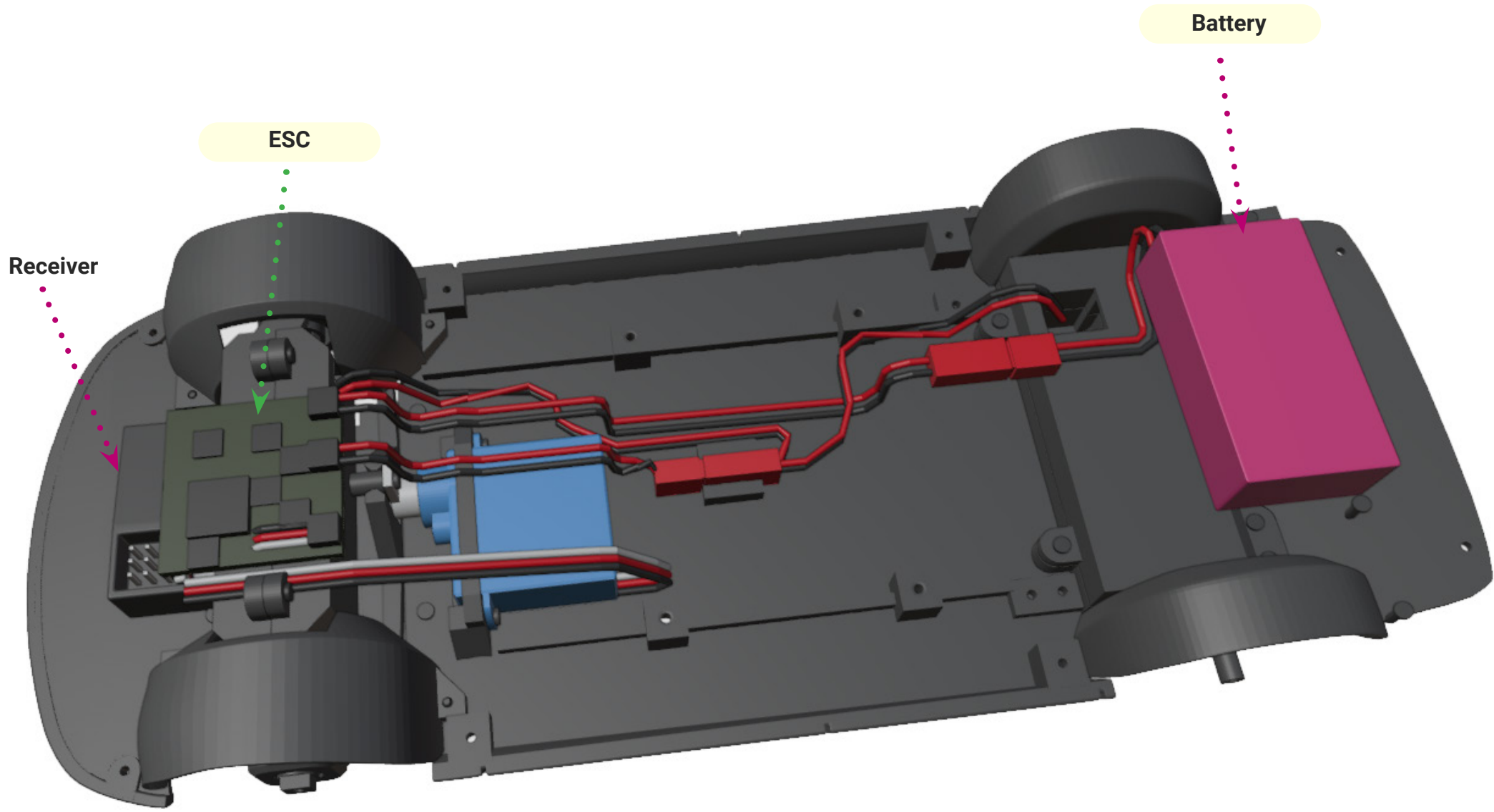


 2x M1.2x4

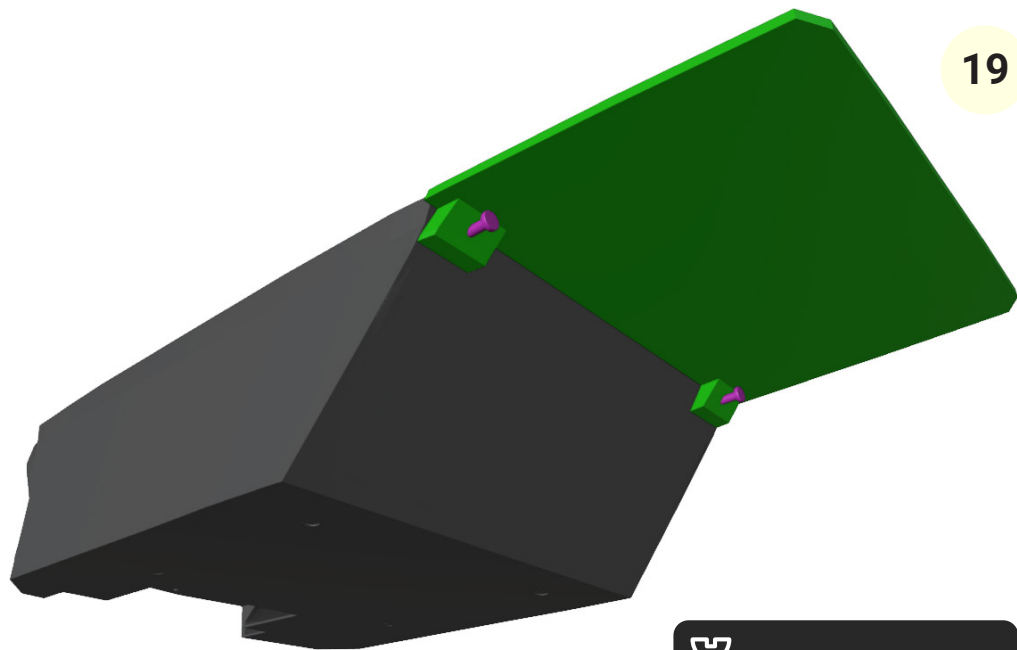
17



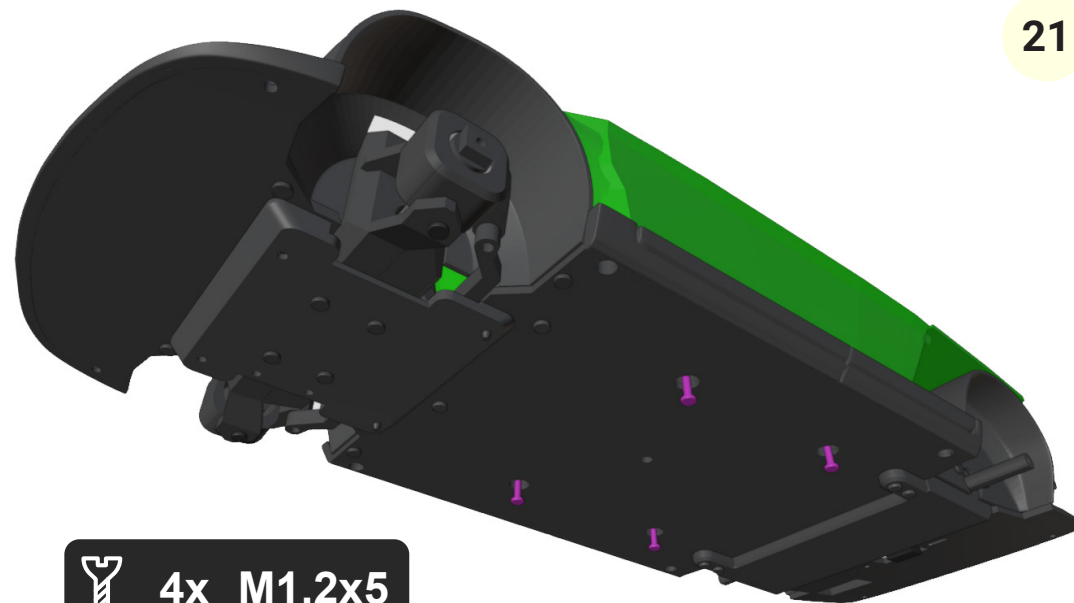
 4x M1.2x5



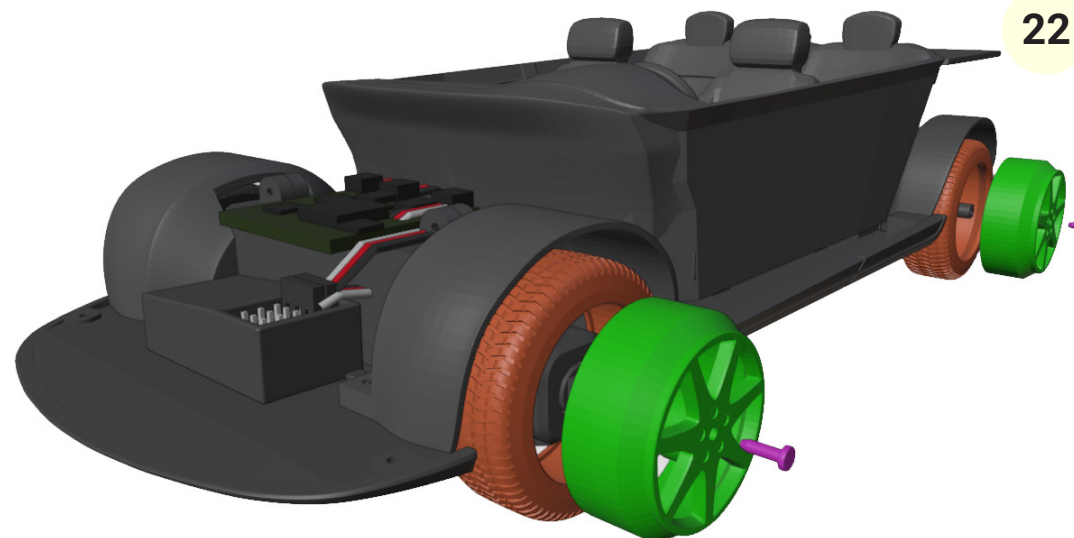
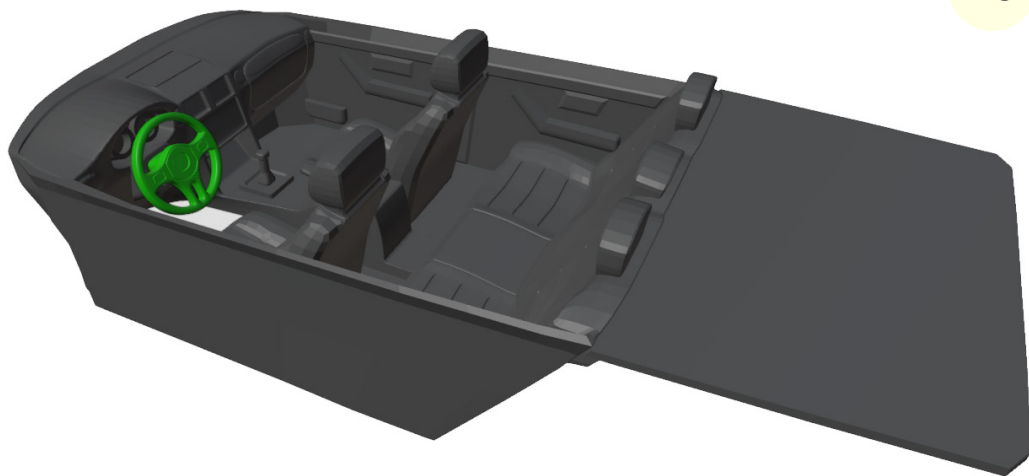




 2x M1.2x5

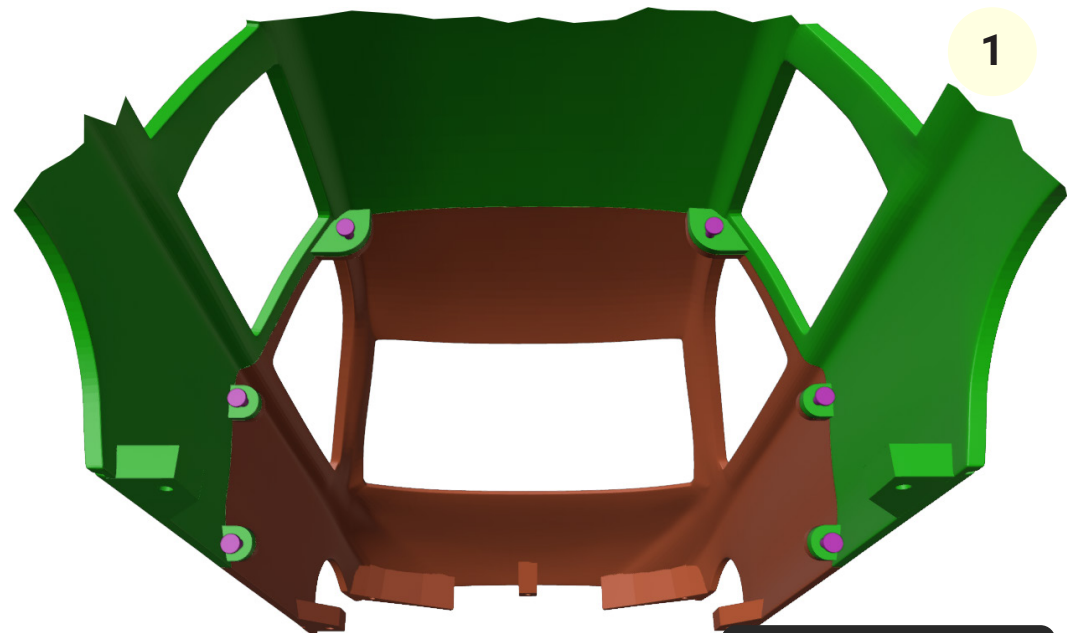


 4x M1.2x5

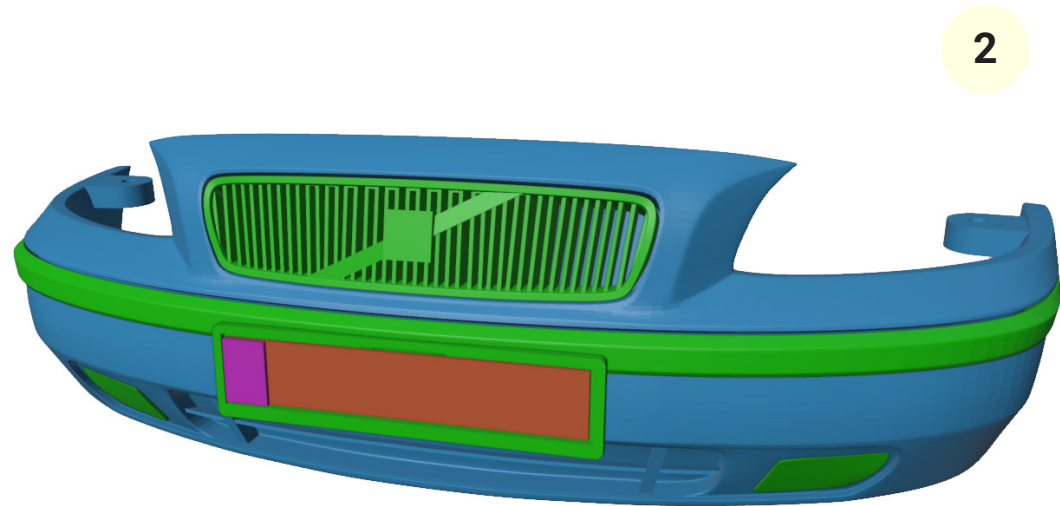


 4x M1.2x5

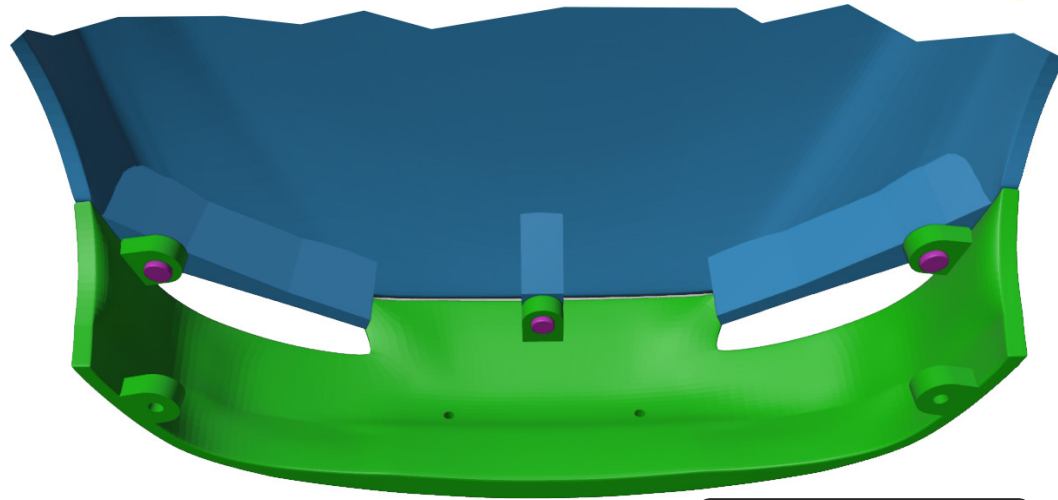
## 2. Body



 6x M1.2x4



3



 3x M1.2x4

5

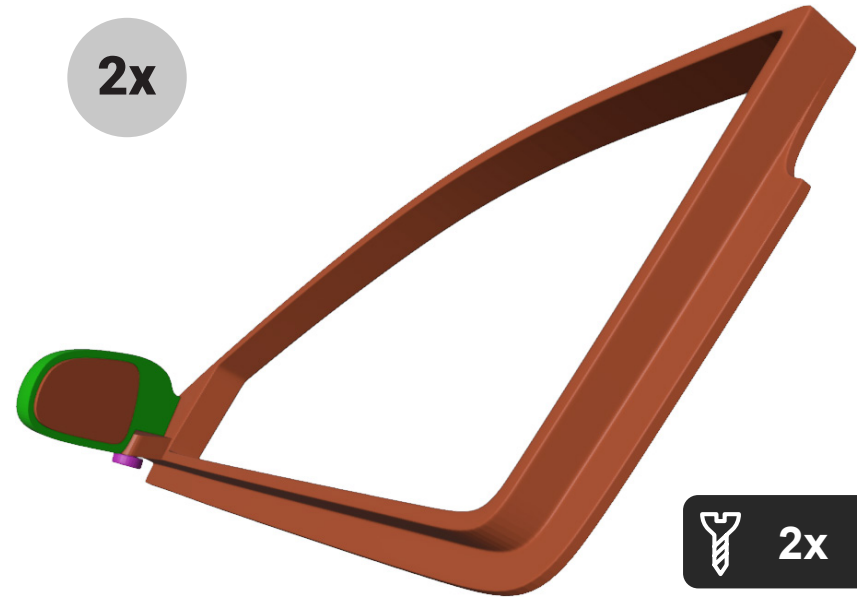


4



2x

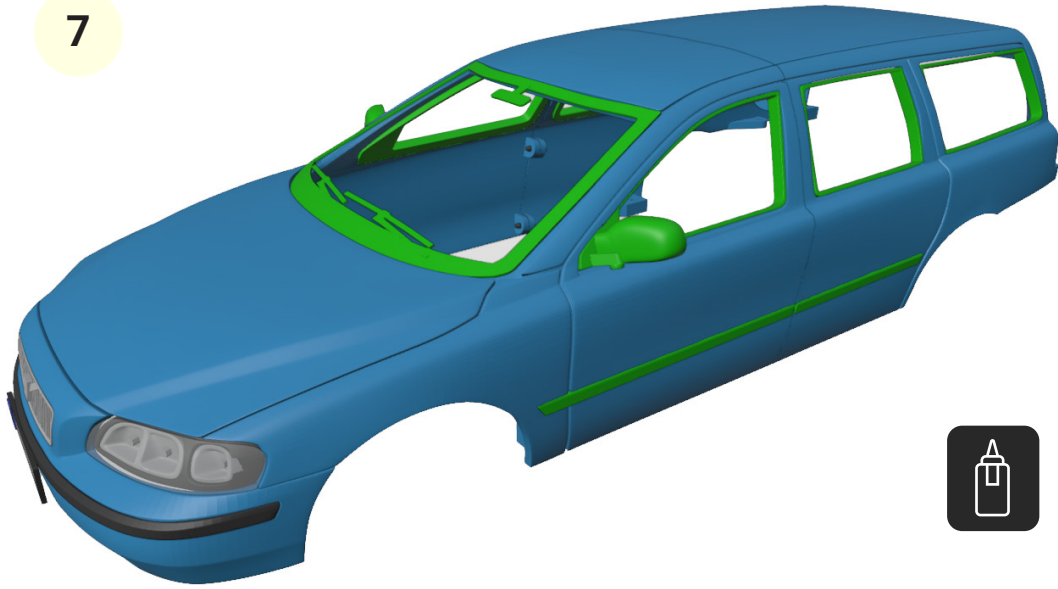
6



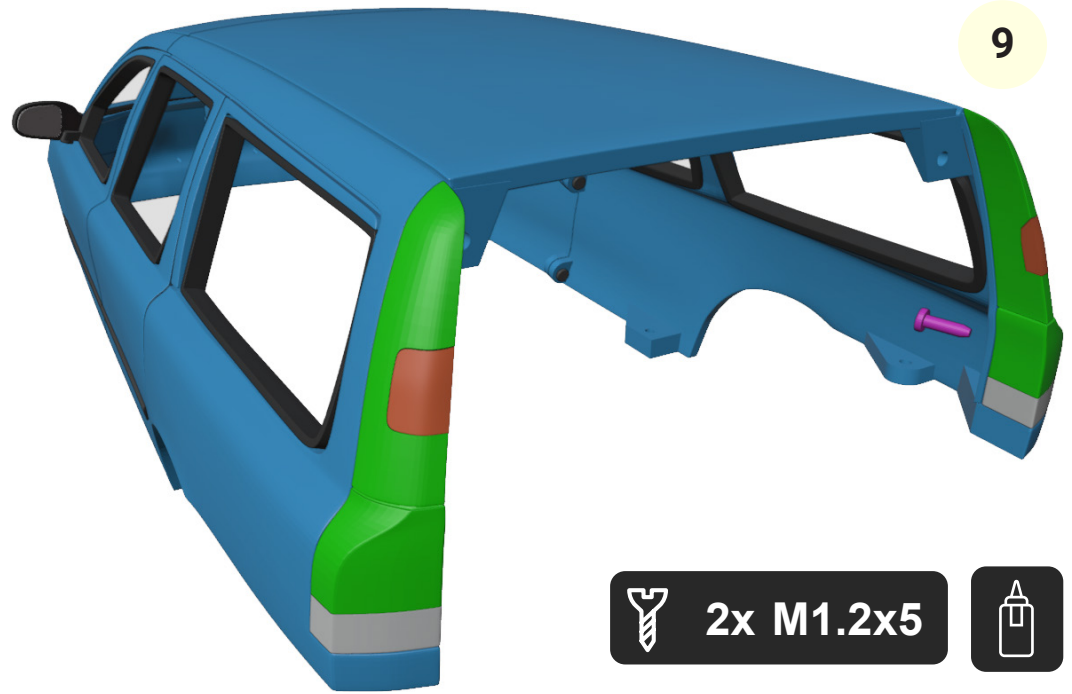
 2x M1x4



7



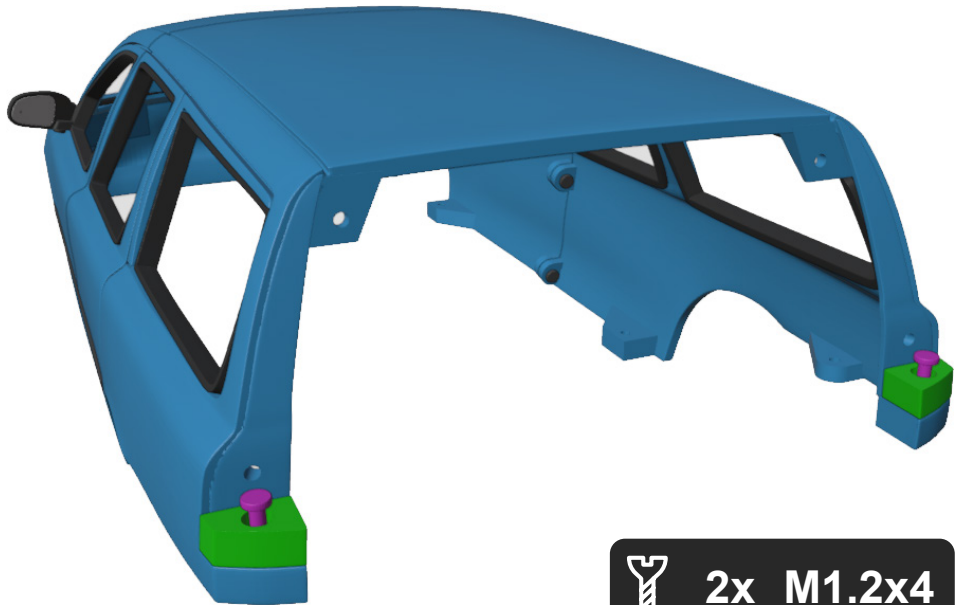
9



 2x M1.2x5

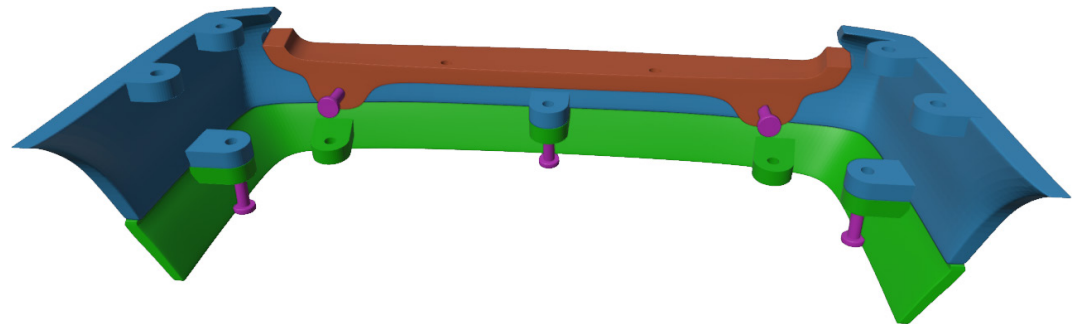


8



 2x M1.2x4

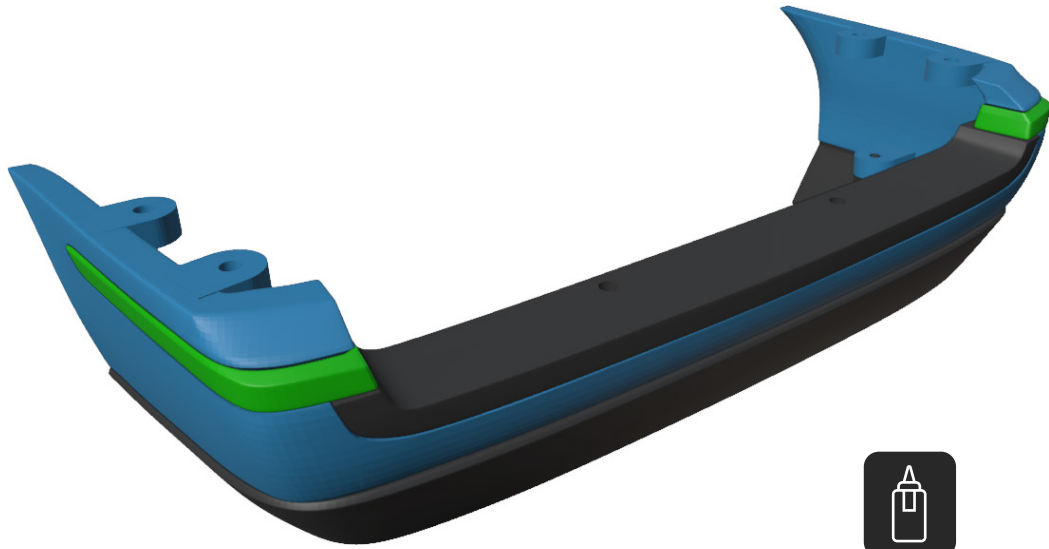
10



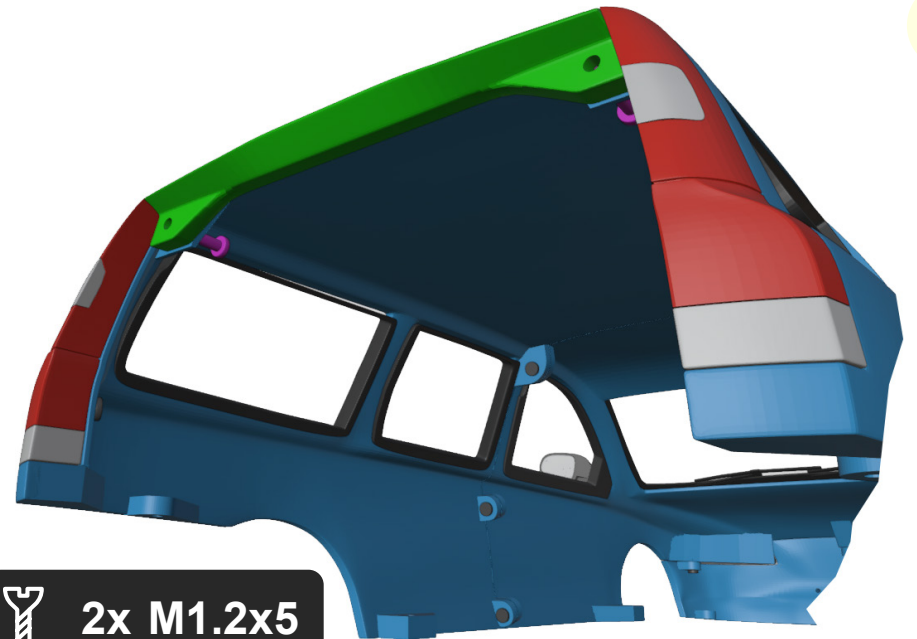
 5x M1.2x4



11

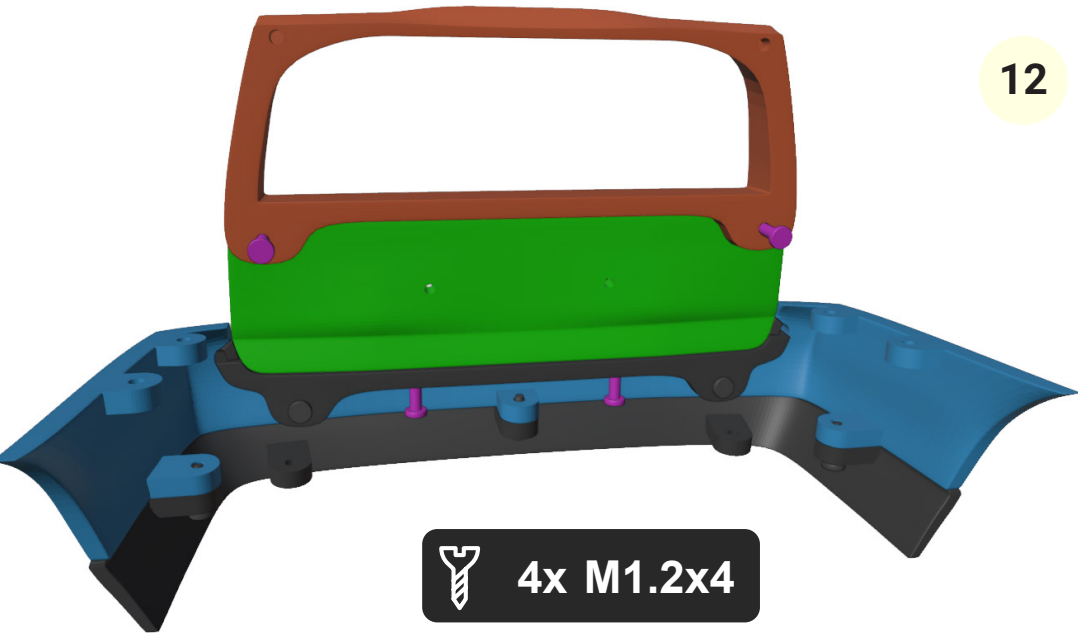


13



 2x M1.2x5

12

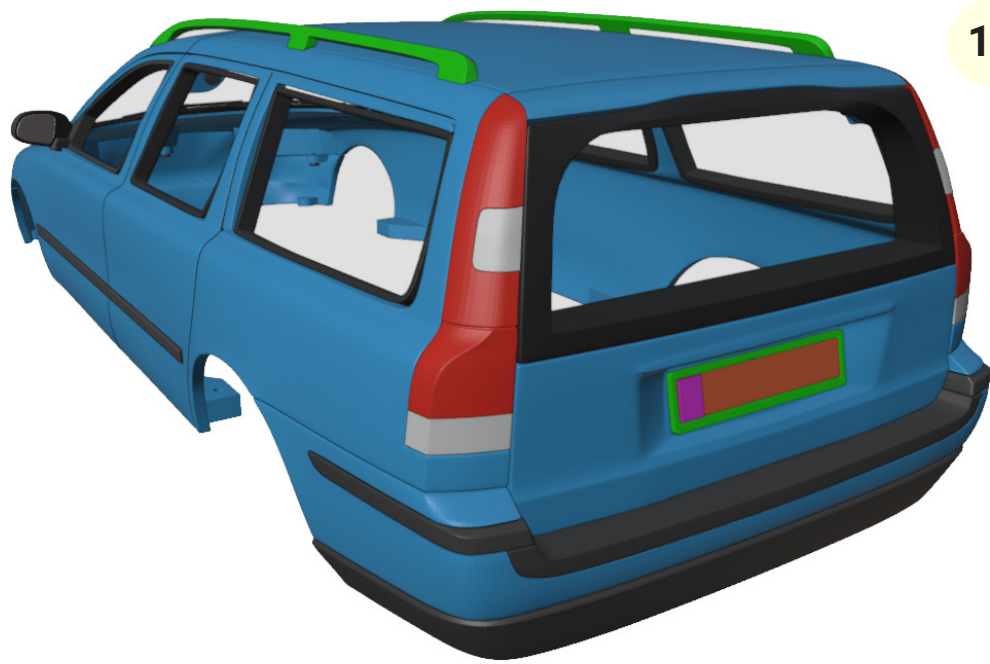


 4x M1.2x4

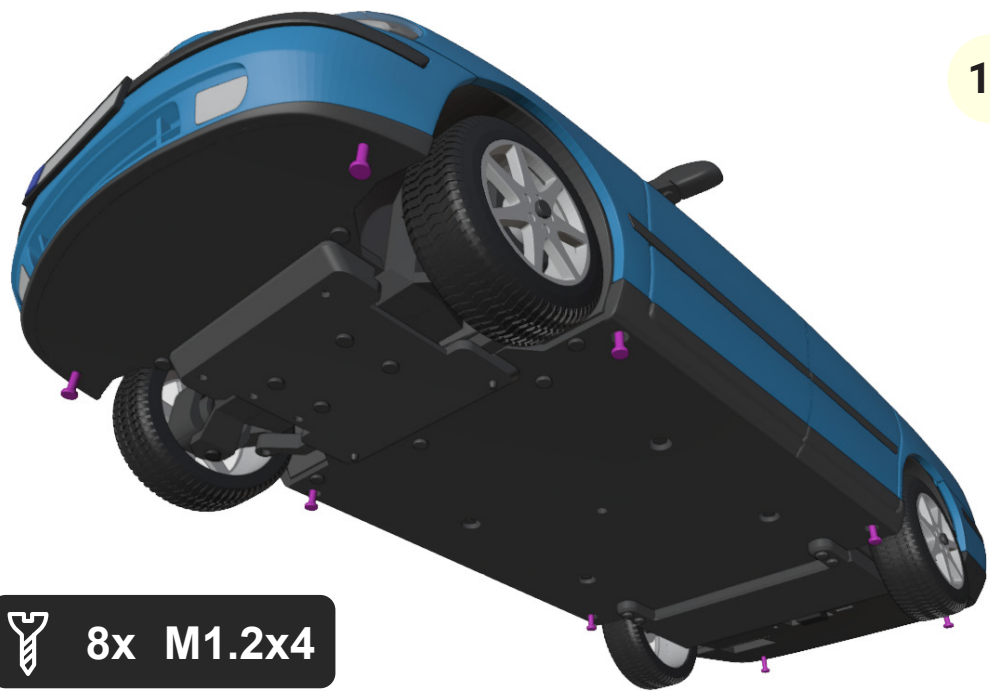
14



 4x M1.2x4



15



16

 8x M1.2x4



**Great job!**  
We are done...  
For more models, visit:  
**[www.3drcmodels.com](http://www.3drcmodels.com)**