

Škoda 100

1:24 scale, fully 3D printed on FDM



More models at:

www.3drcmodels.com

Non printed parts

Screws

24x M1.2 x 5mm

63x M1.2 x 4mm

2x M1 x 4mm



Bearings

6x 3x6x2



** If you DONT want to build car as RC, you don't need any bearings*

RC electronic ** Optional if you want to have it as RC*



2S ESC

** No fancy ESC required.*



6V DC Motor

** cca 500 RPM*



2S Lipo battery

** Around 400mah is more than enough.*



RC Set

** Just basic RC set will do the job*

Prologue

Thank you

Thank you for supporting my hobby by buying this model. I had great time designing this kit and I hope you will have same building it and playing with it. Thanks small scale, it's very easy, cheap and quick to print and build.

More models can be found at
www.3drcmodels.com

Warning!

Please be careful! Kit contain lots of small parts that can be swallow by infant. Event after build is finished, small parts can be ripped off and can be dangerous. I don't recommend giving this toy to kid younger 3 years.

1. Chassis



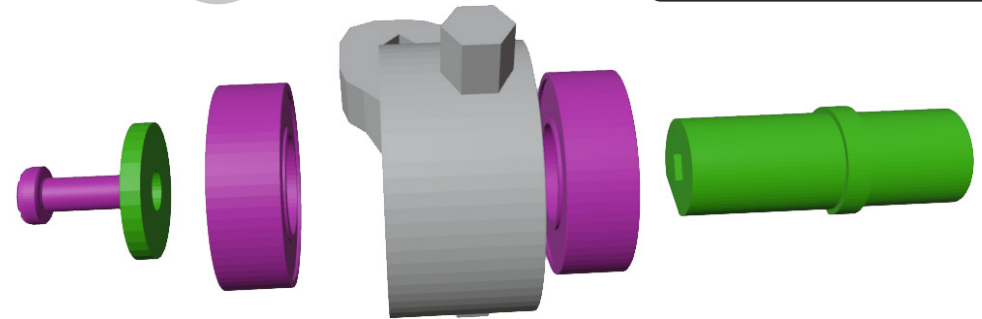
4x 3x6x2mm bearings and shaft has to fit tightly

1

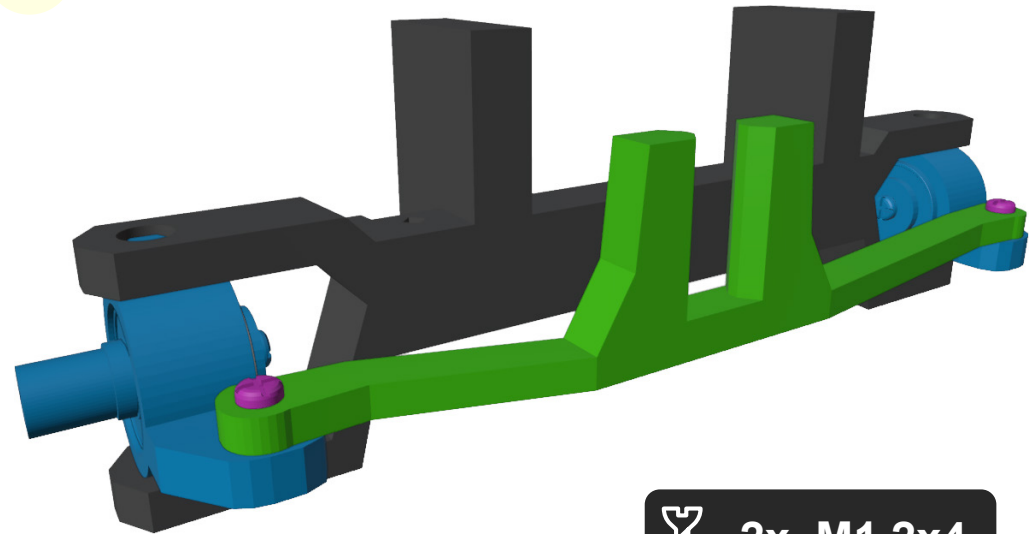
2x



2x M1.2x4

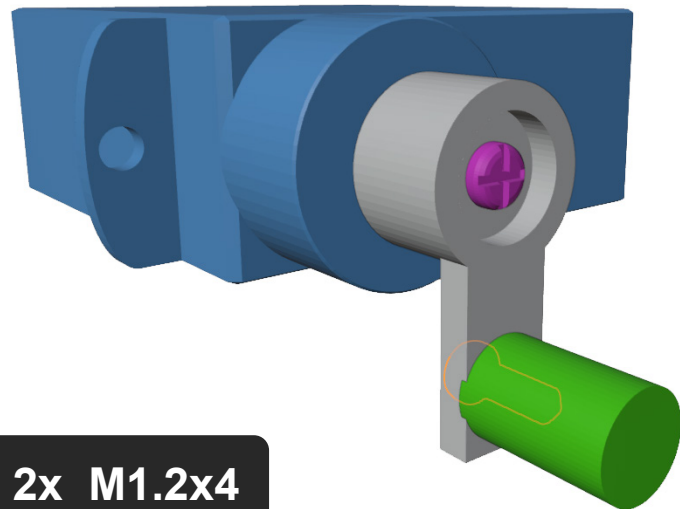


2



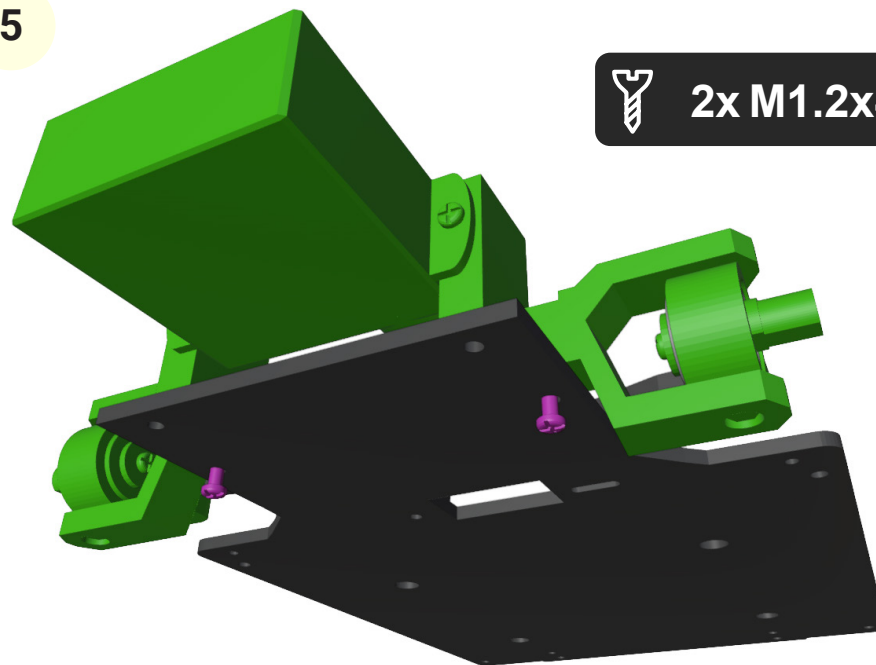
2x M1.2x4

3



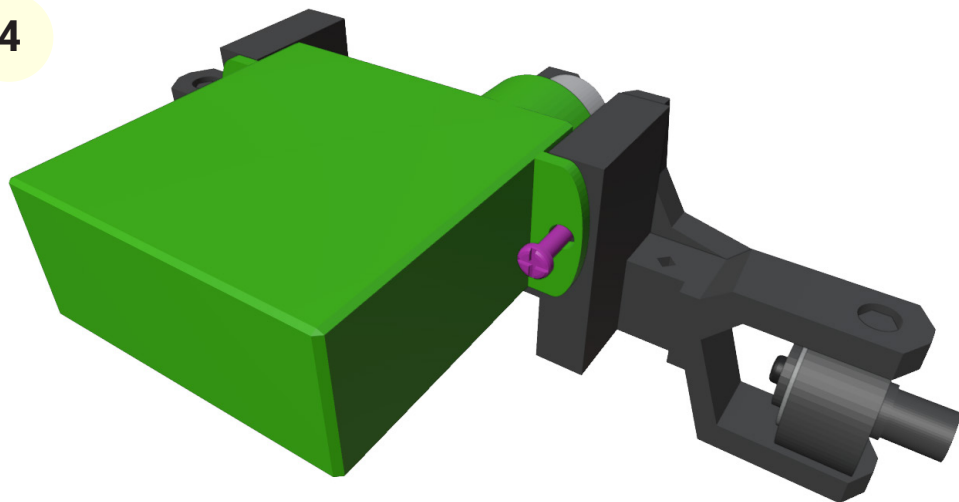
 2x M1.2x4

5



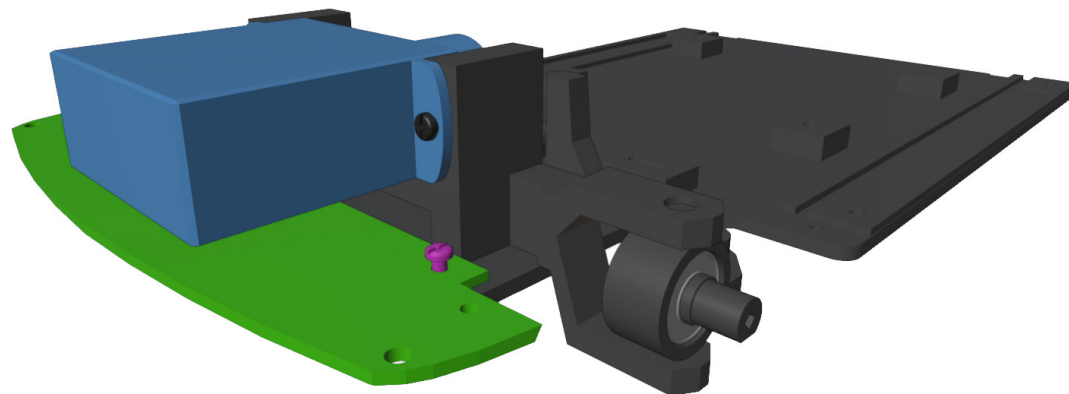
 2x M1.2x4

4



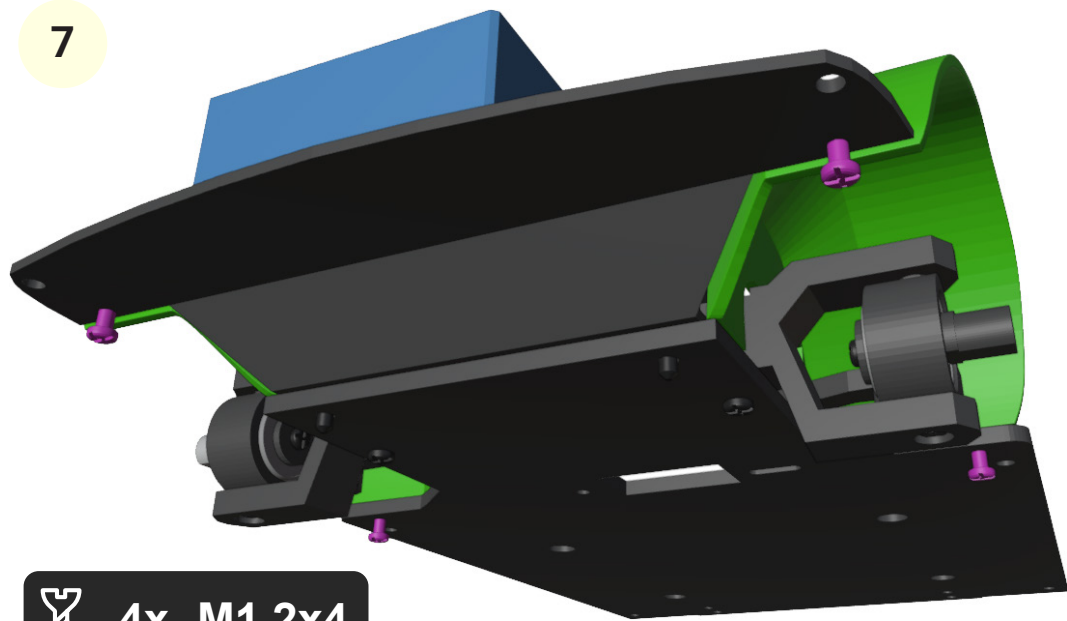
 2x M1.2x4

6



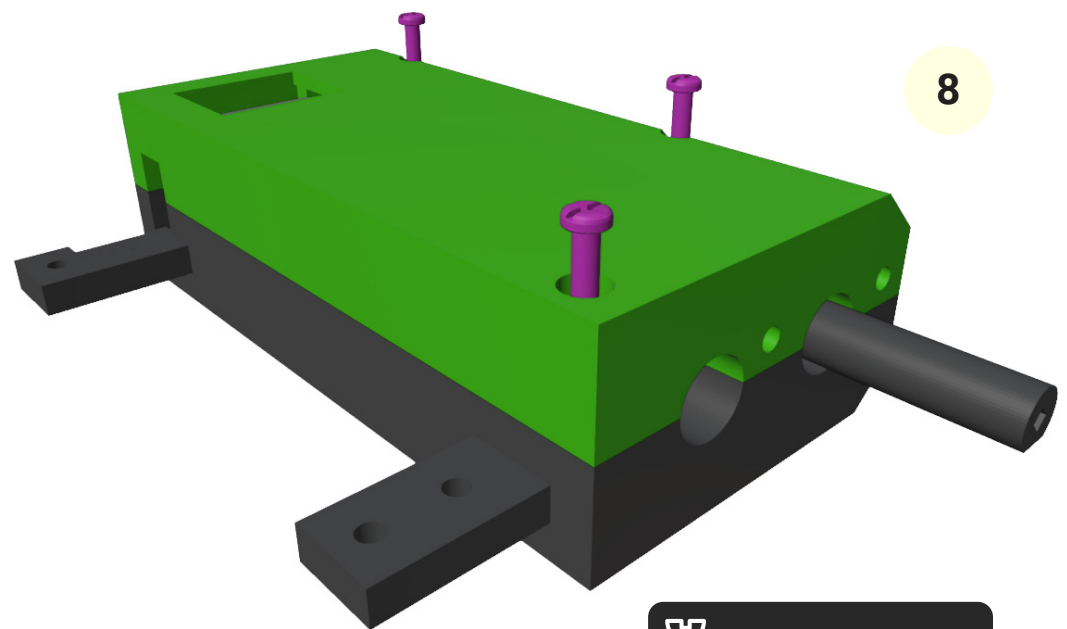
 2x M1.2x4

7



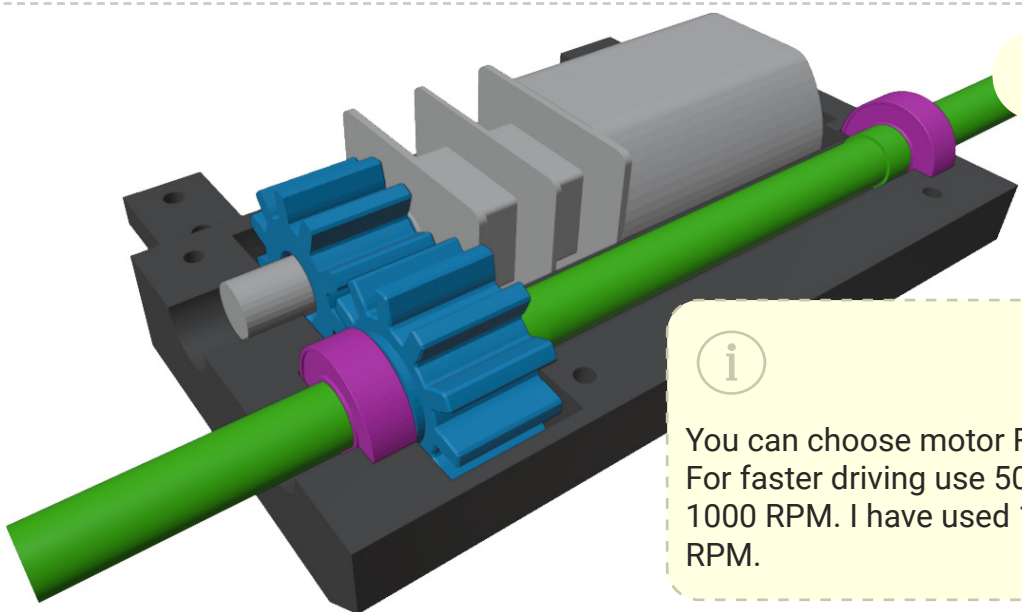
 4x M1.2x4


8




 3x M1x4

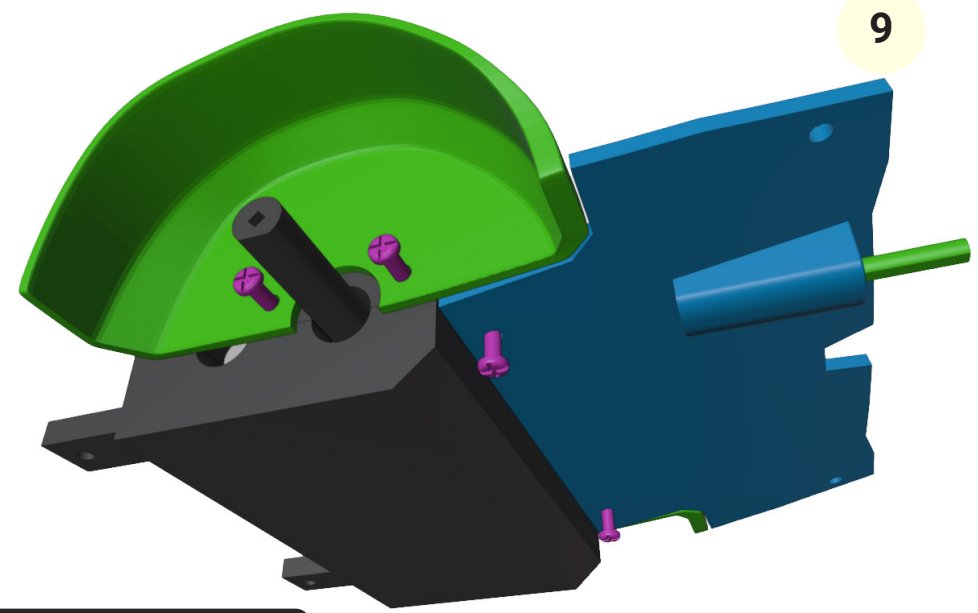
8



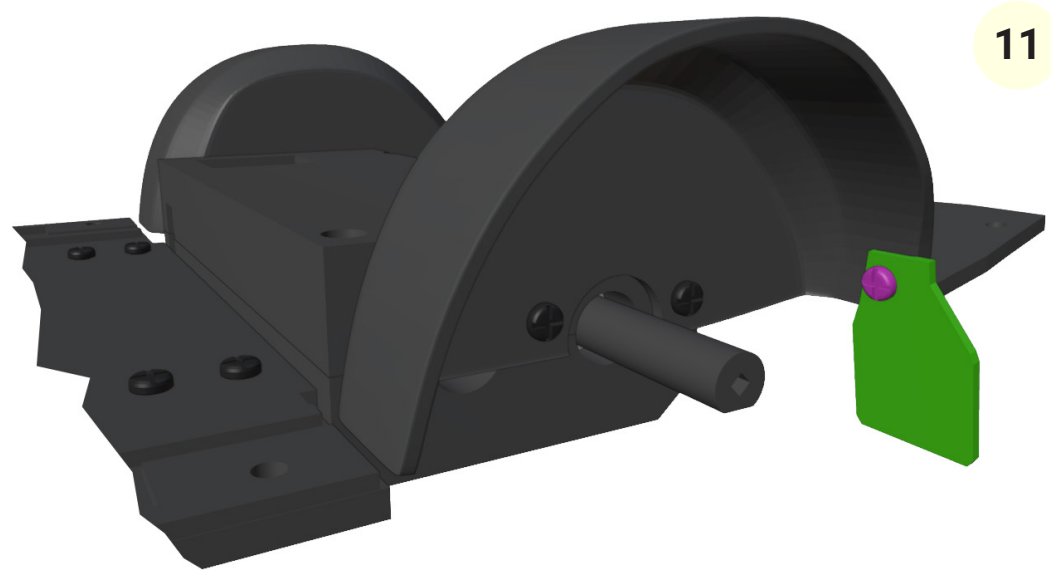
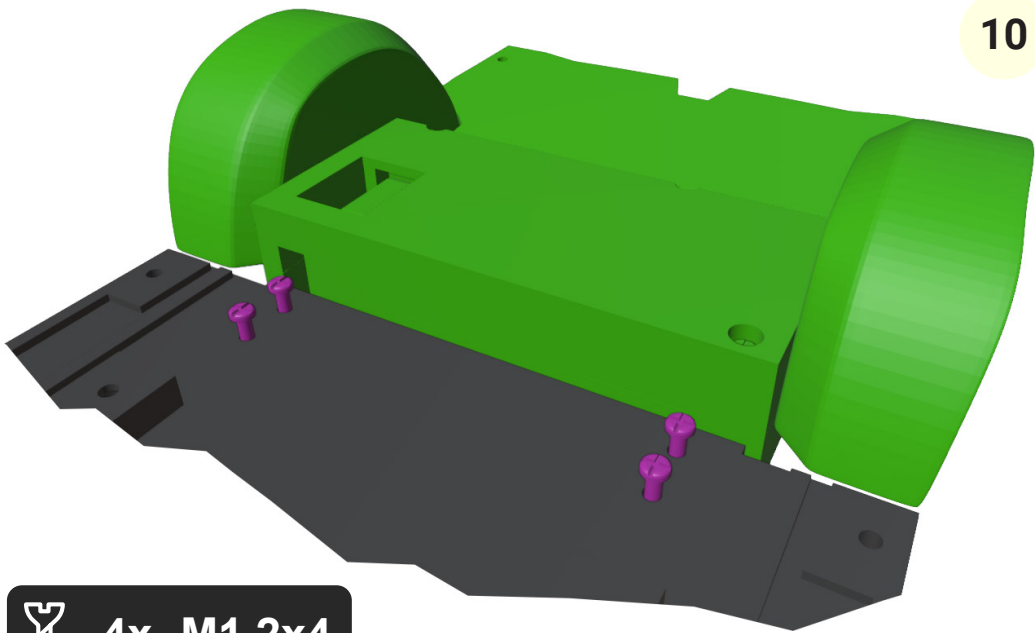
 You can choose motor RPM. For faster driving use 500 - 1000 RPM. I have used 1000 RPM.

 2x 3x6x2mm bearings and shaft has to fit tightly

9



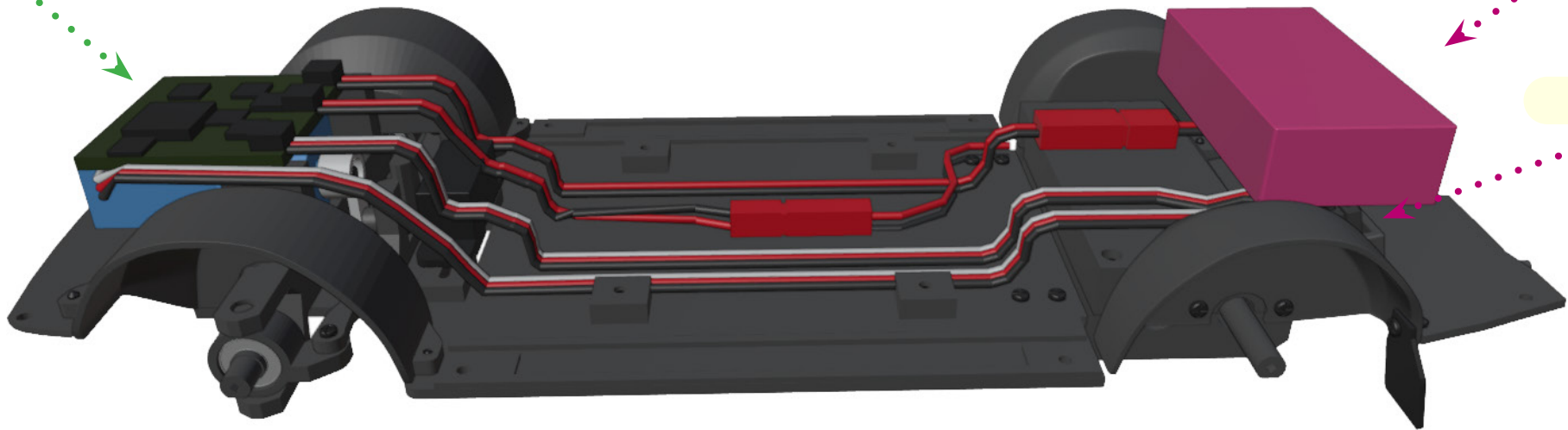
 6x M1.2x4



ESC

Battery

Receiver

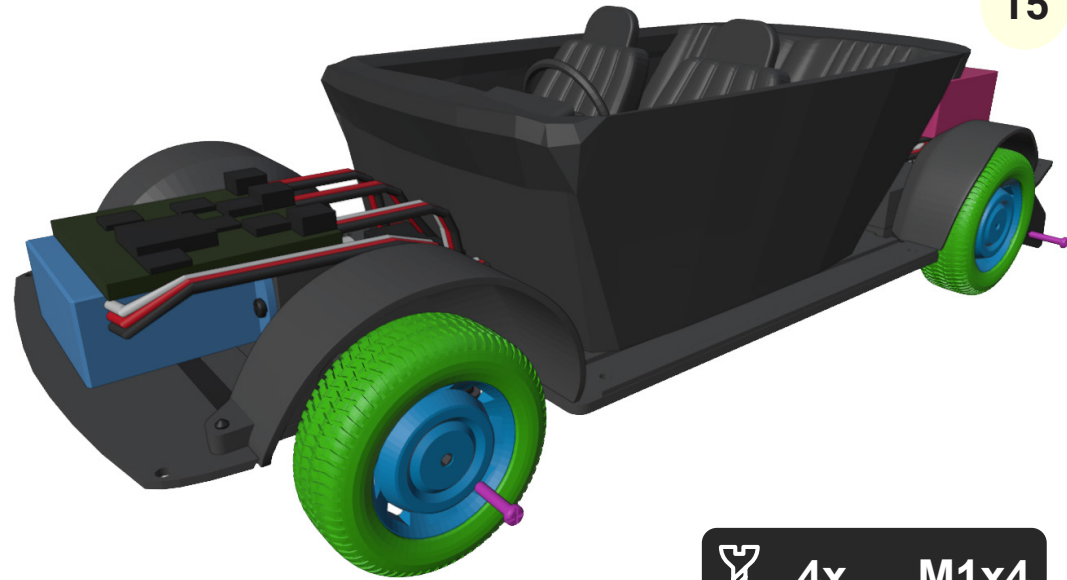


13



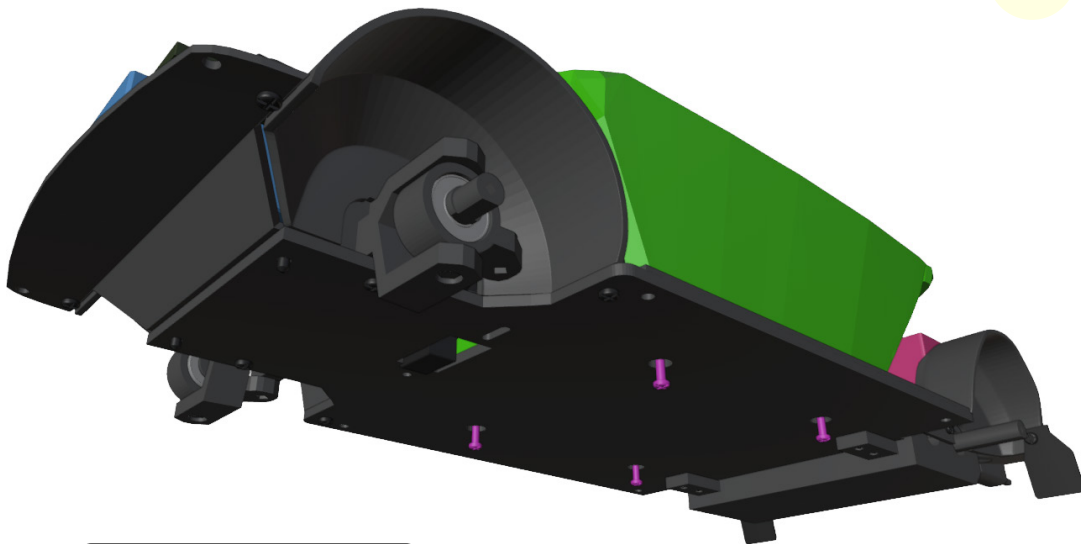
2x M1.2x4

15



4x M1x4

14



4x M1.2x4

16



Well done!

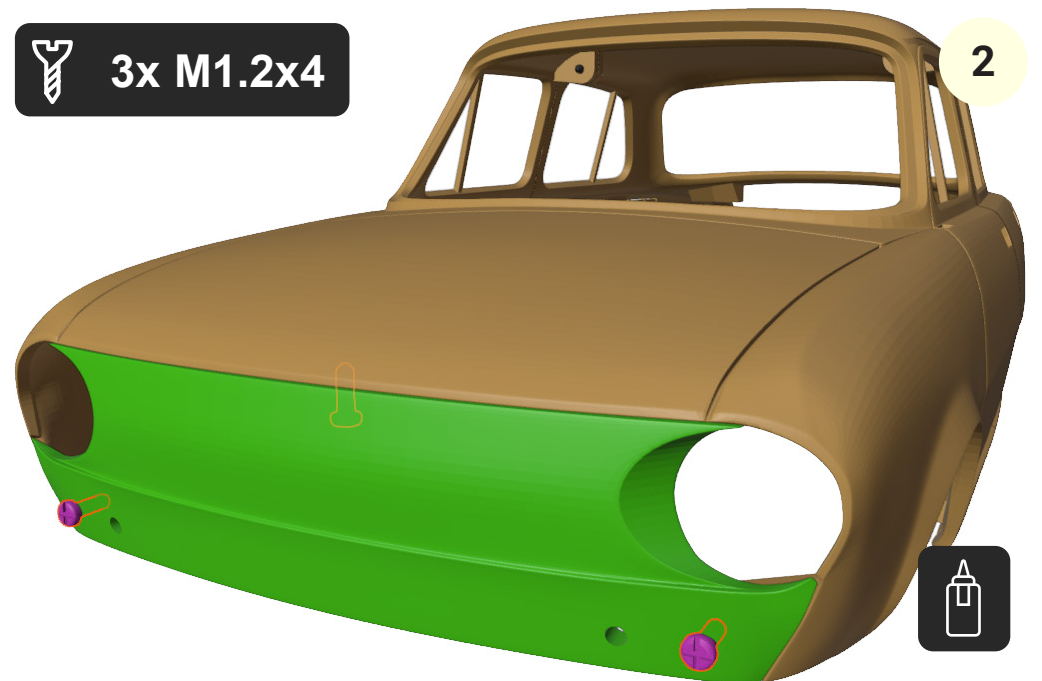
Chassis is finished!

2. Body

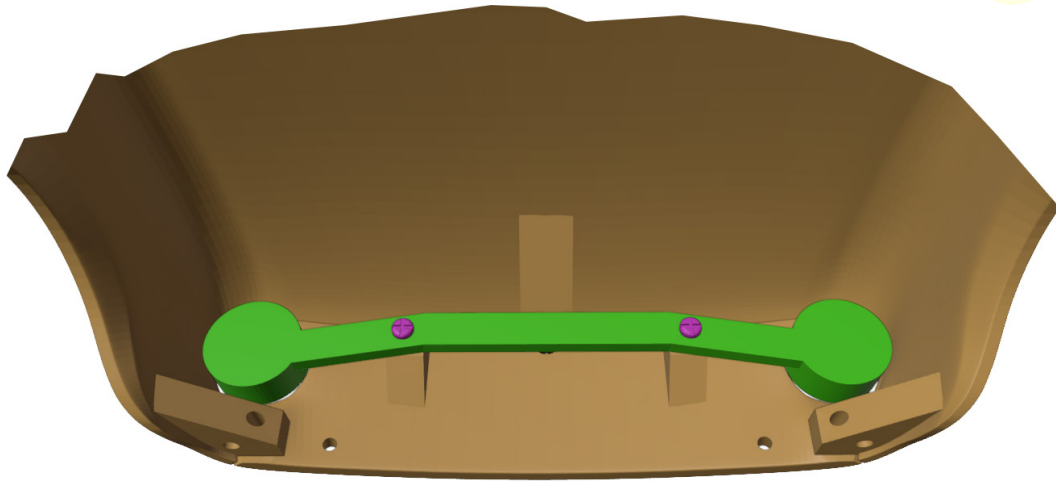


 4x M1.2x4

 3x M1.2x4

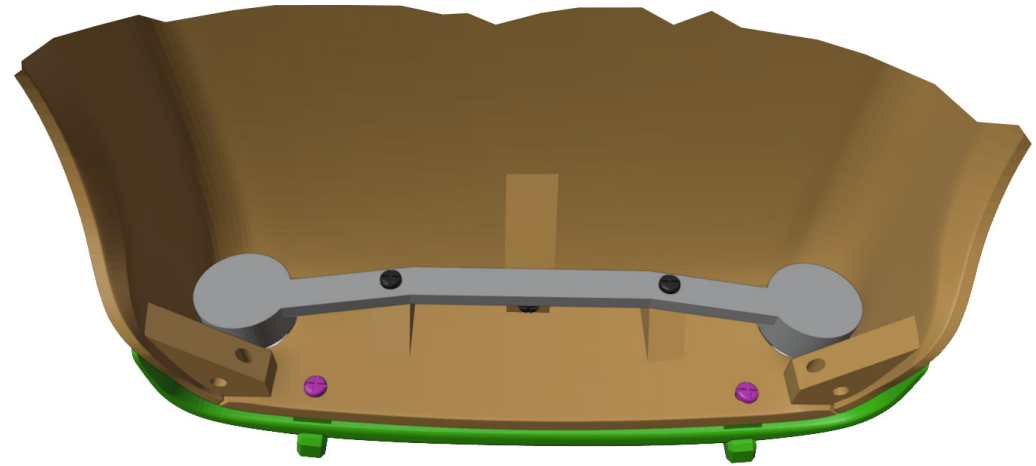


3



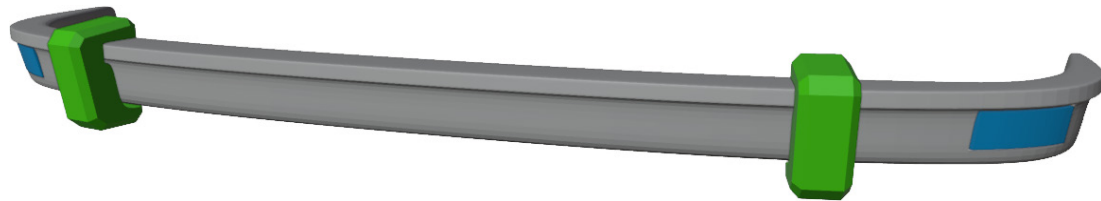
 2x M1.2x4

5



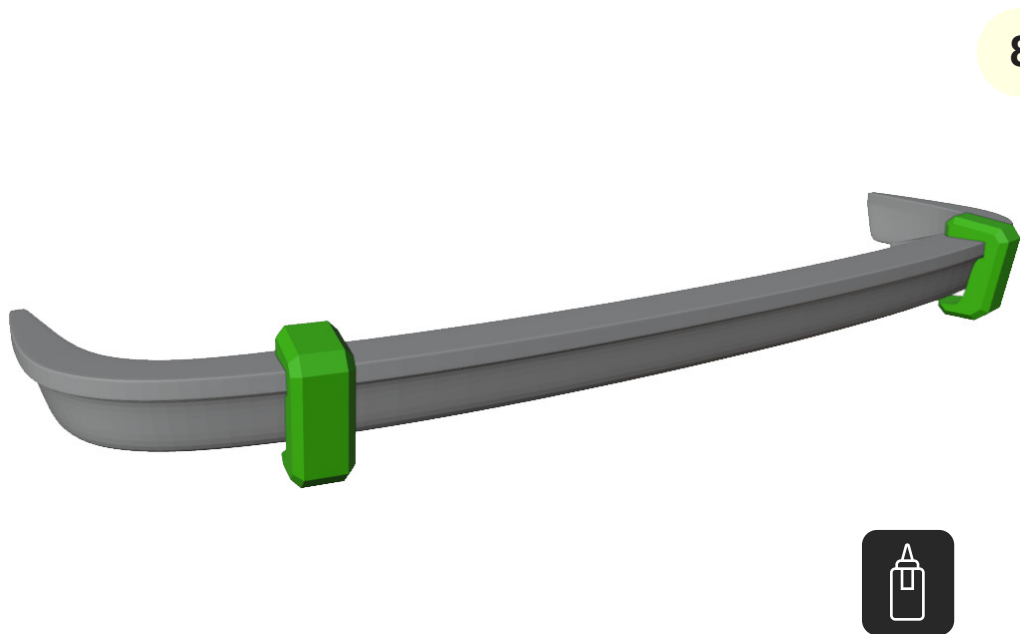
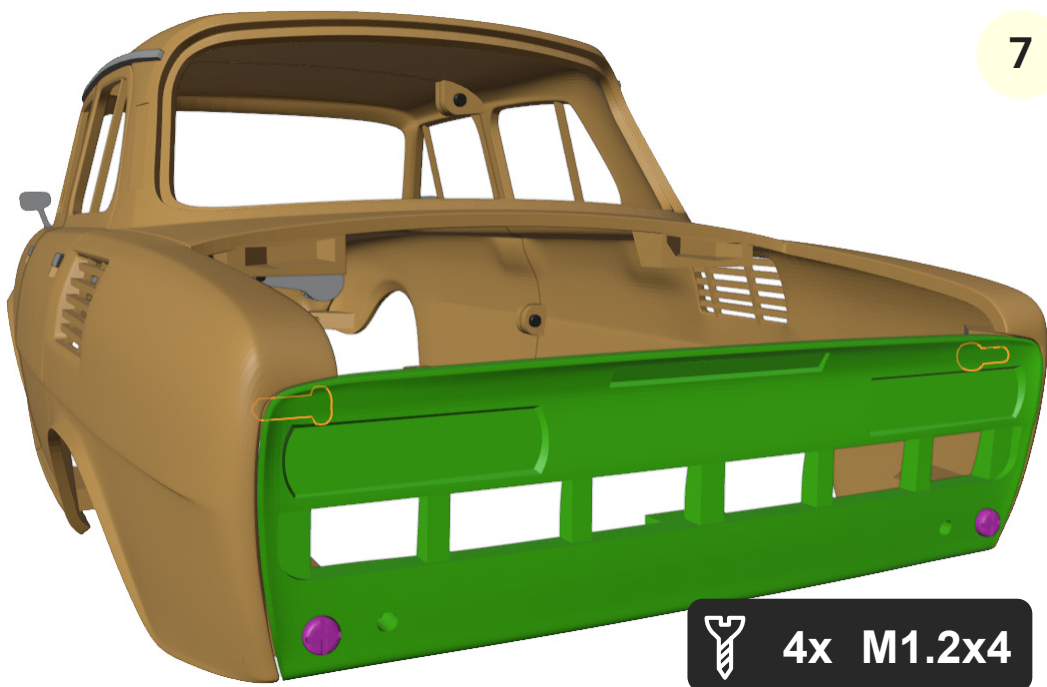
 2x M1.2x4

4



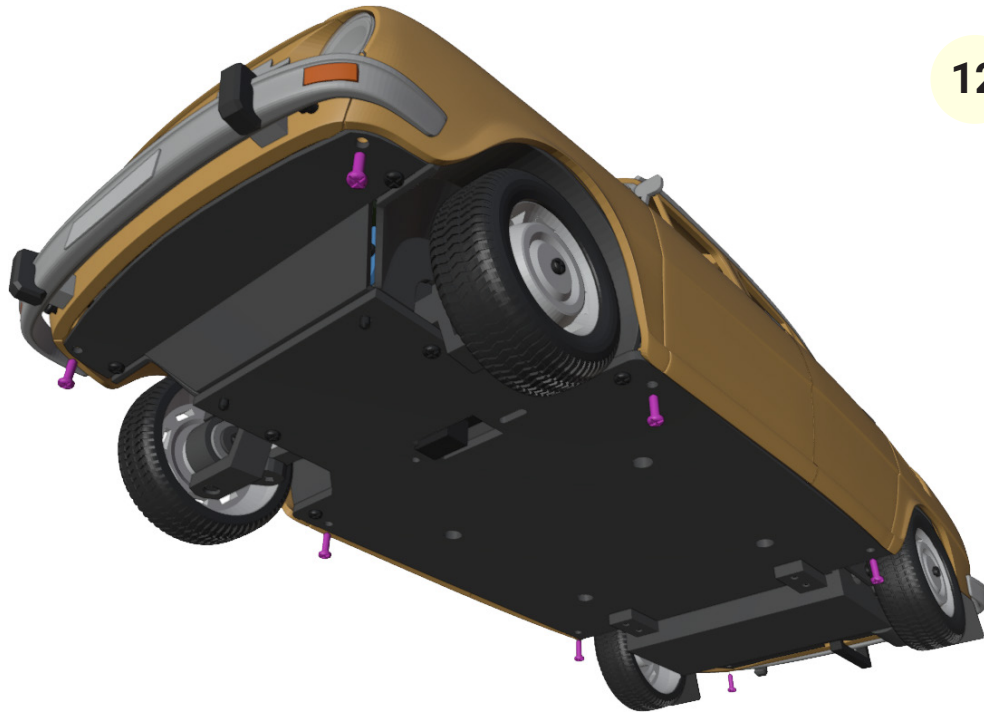
6







11



12



Great job!

We are done...

For more models, visit:

www.3drcmodels.com