

Skoda Octavia 2 FL

1:24 scale, fully 3D printed on FDM



More models at:

www.3drcmodels.com

Non printed parts

Screws

M1.2 x 5mm

M1.2 x 4mm

M1 x 4mm



Bearings

6x 3x6x2



2x 5x8x3



** If you DONT want to build car as RC, you don't need any bearings*

RC electronic ** Optional if you want to have it as RC*



2S ESC

** No fancy ESC required.*



1x 6V DC Motor

** cca 1000 RPM*



2S Lipo battery

** Around 400mah is more than enough.*



RC Set

** Just basic RC set will do the job*

Prologue

Thank you

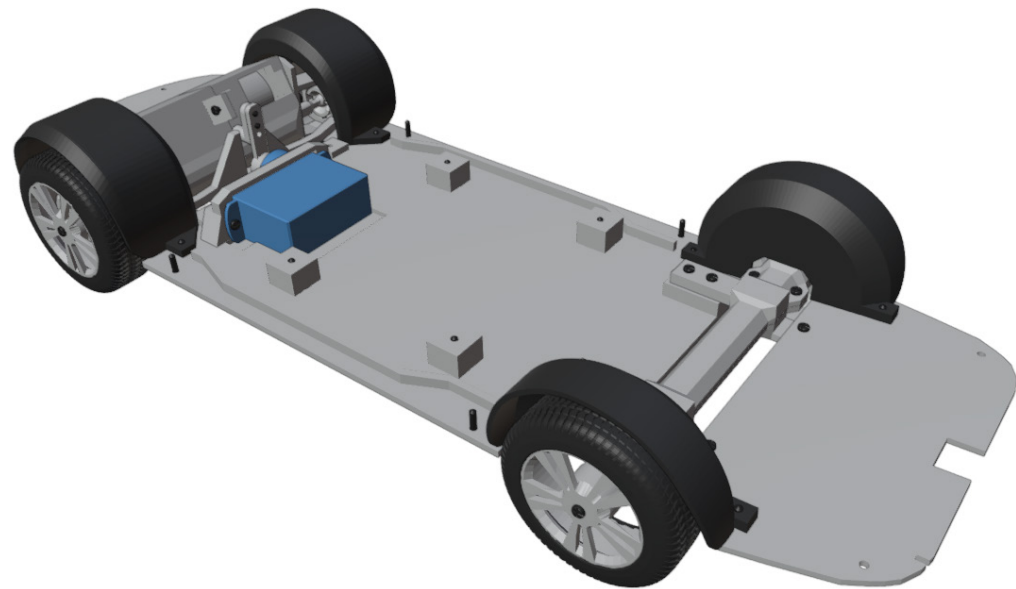
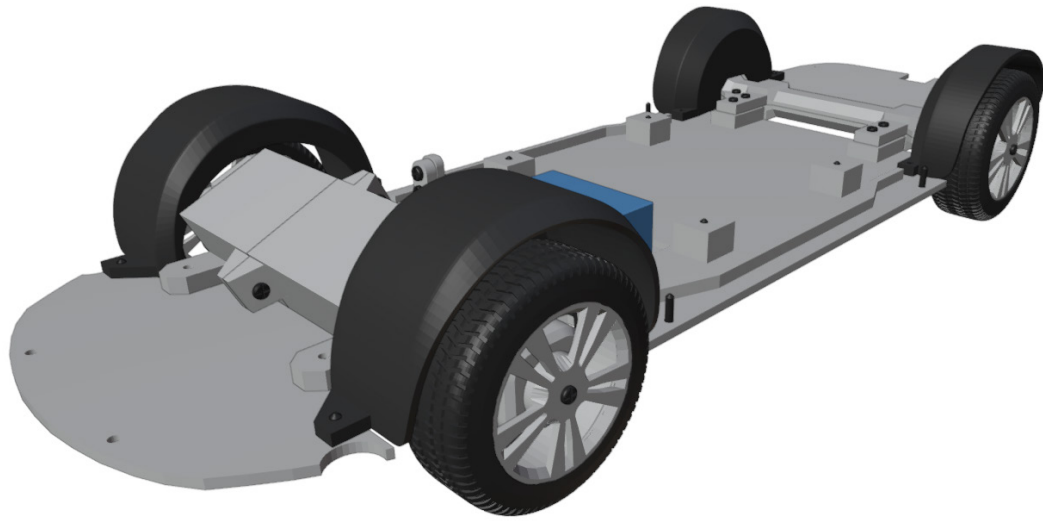
Thank you for supporting my hobby by buying this model. I had great time designing this kit and I hope you will have same building it and playing with it. Thanks small scale, it's very easy, cheap and quick to print and build.

More models can be found at
www.3drcmodels.com

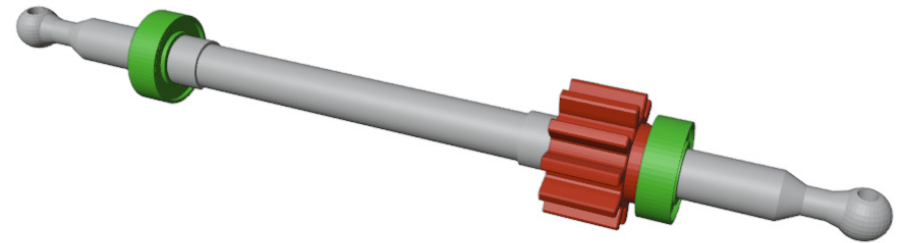
Warning!

Please be careful! Kit contain lots of small parts that can be swallow by infant. Event after build is finished, small parts can be ripped off and can be dangerous. I don't recommend giving this toy to kid younger 3 years.

1. Chassis

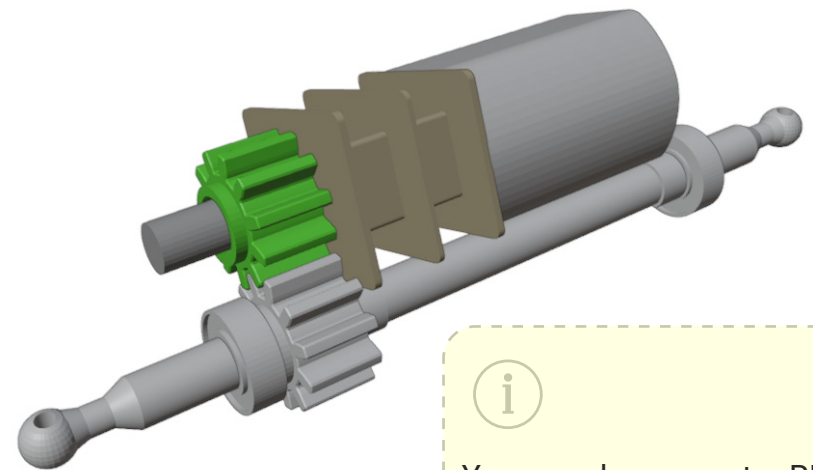


2x 3x6x2mm bearings and shaft has to fit tightly



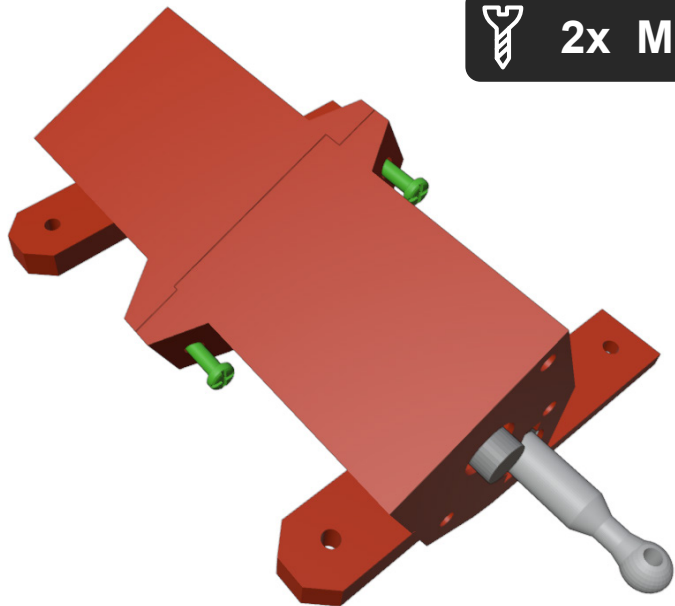
1

2



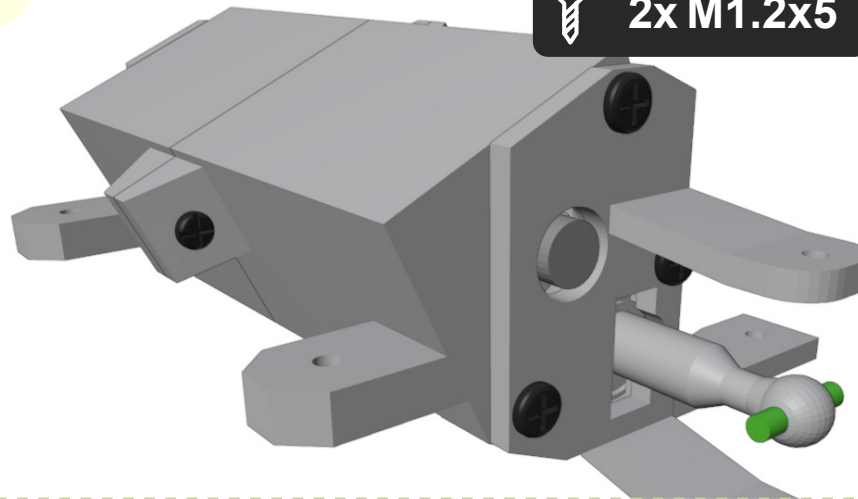
You can choose motor RPM. For faster driving use 500 - 1000 RPM. I have used 1000 RPM.

3



 2x M1.2x5

5

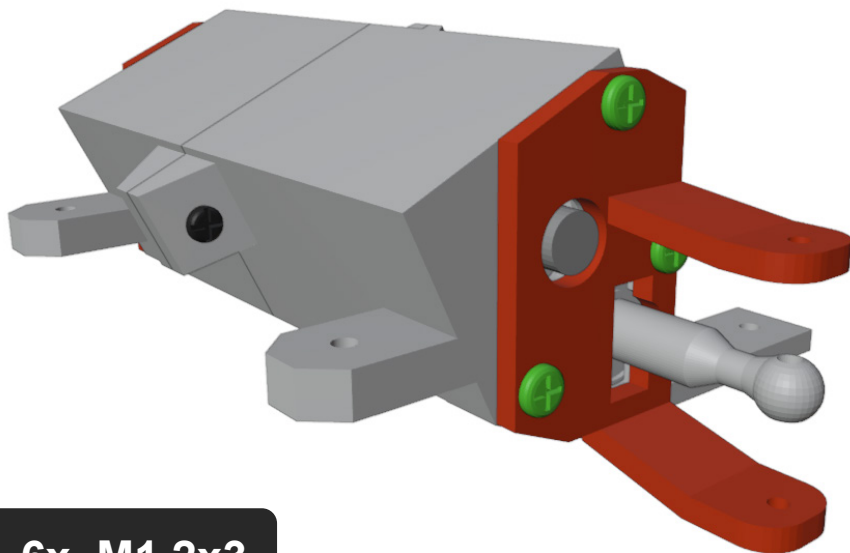


 2x M1.2x5



You need 2x 4mm long ~1.1mm thin wire (Best are paper clips.)

4

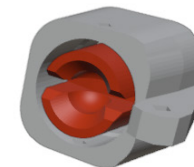
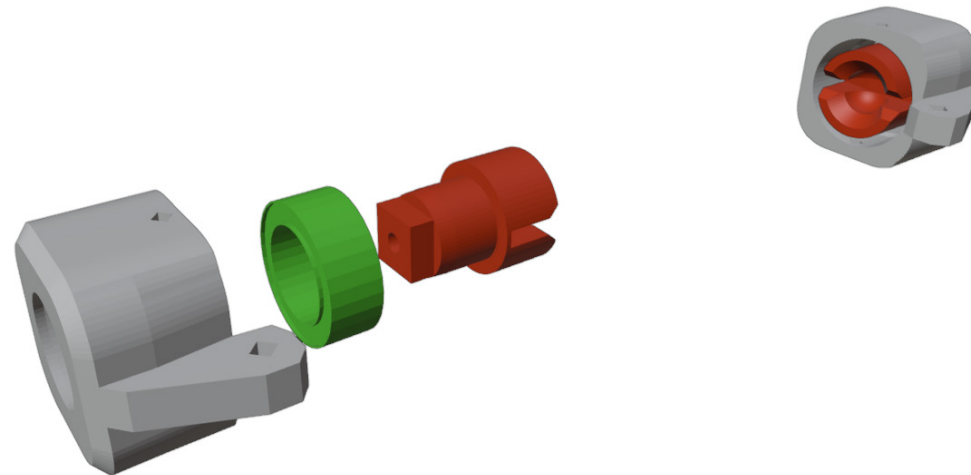


 6x M1.2x3

6



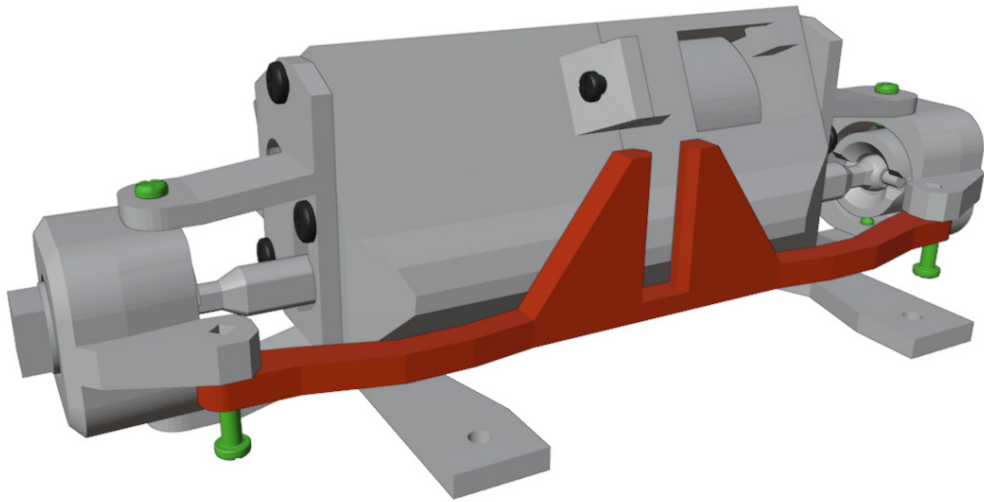
2x 5x8x3mm bearings and shaft has to fit tightly



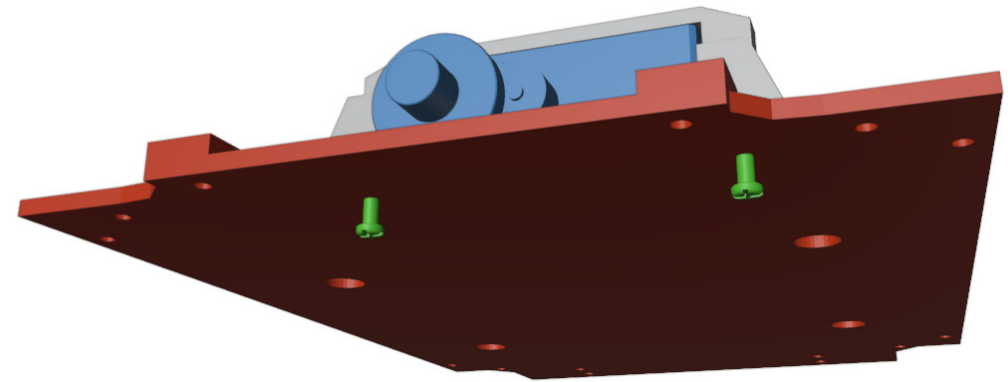


6x M1.2x4

7

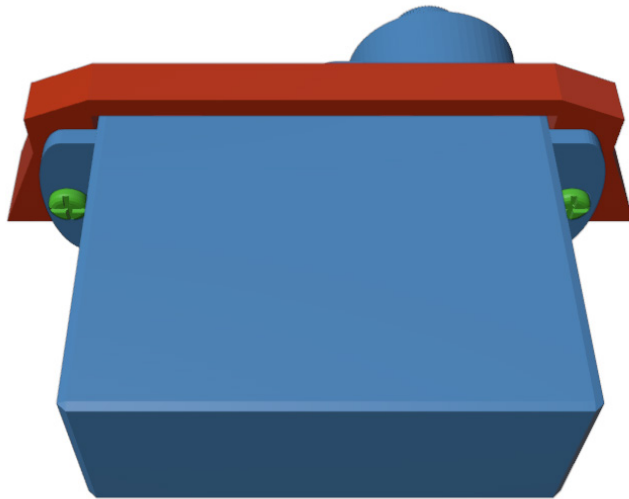


8



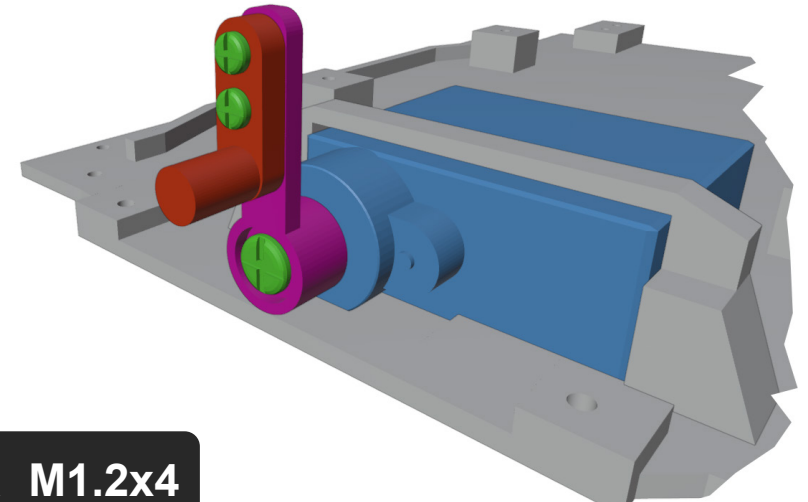
2x M1.2x4

8



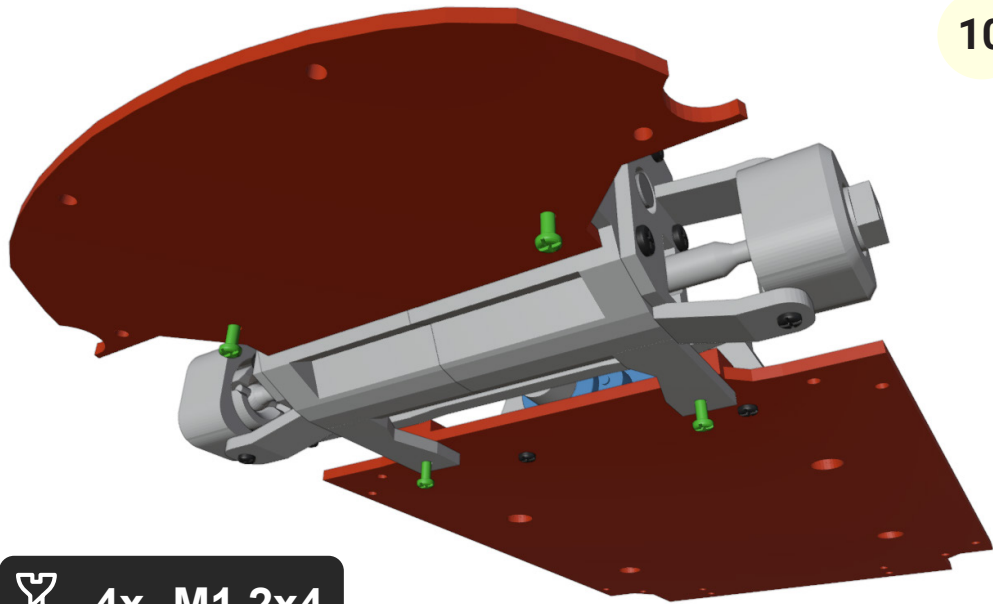
2x M1.2x4

9



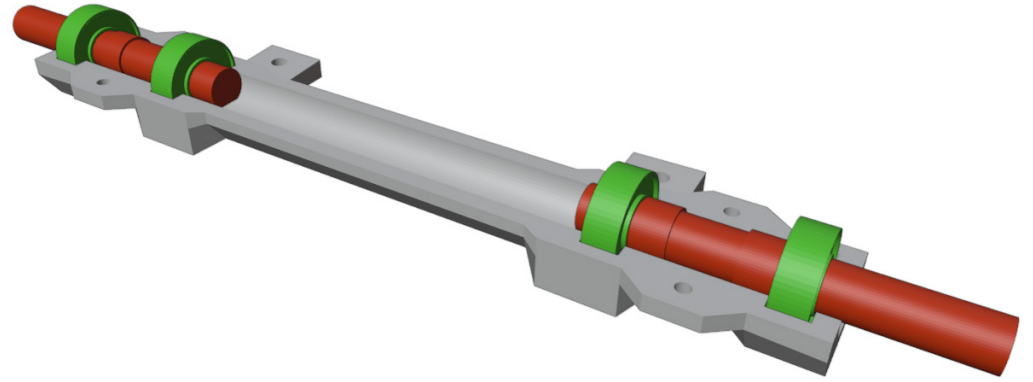
2x M1.2x4


10



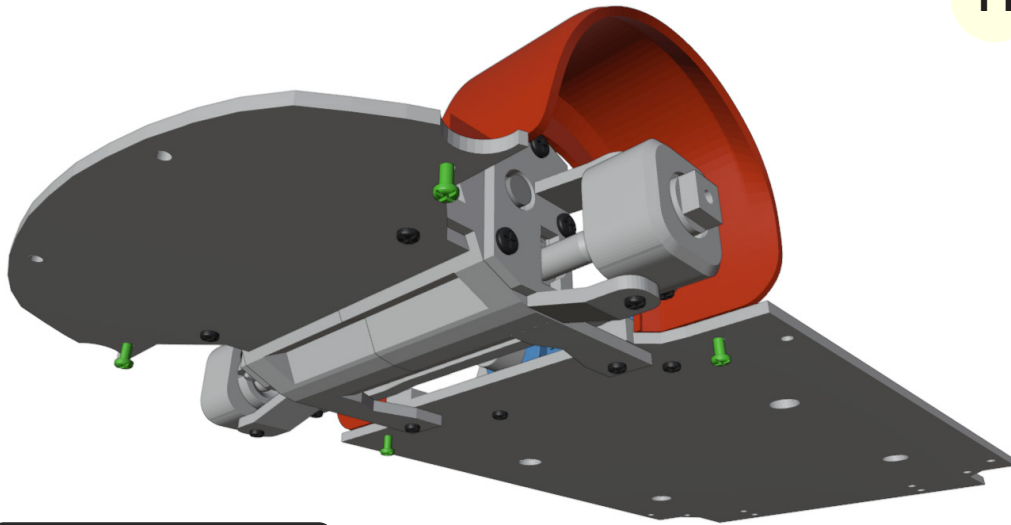
 4x M1.2x4

12



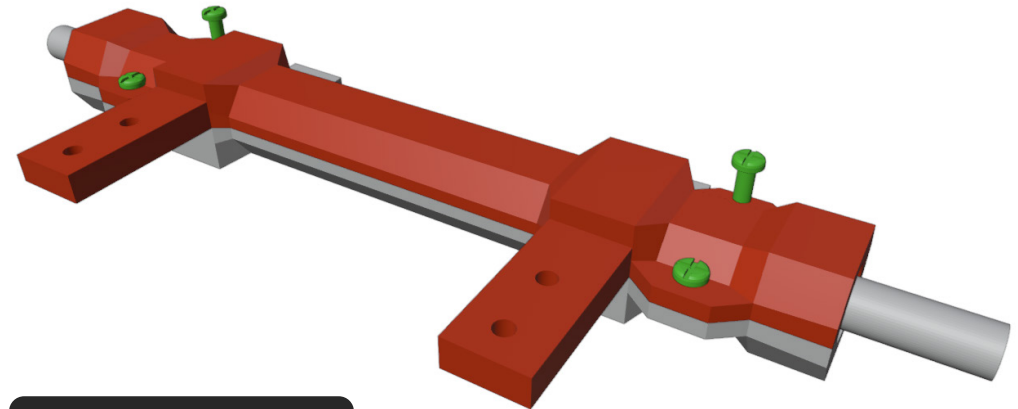
 4x 3x6x2mm bearings and shaft has to fit tightly

11



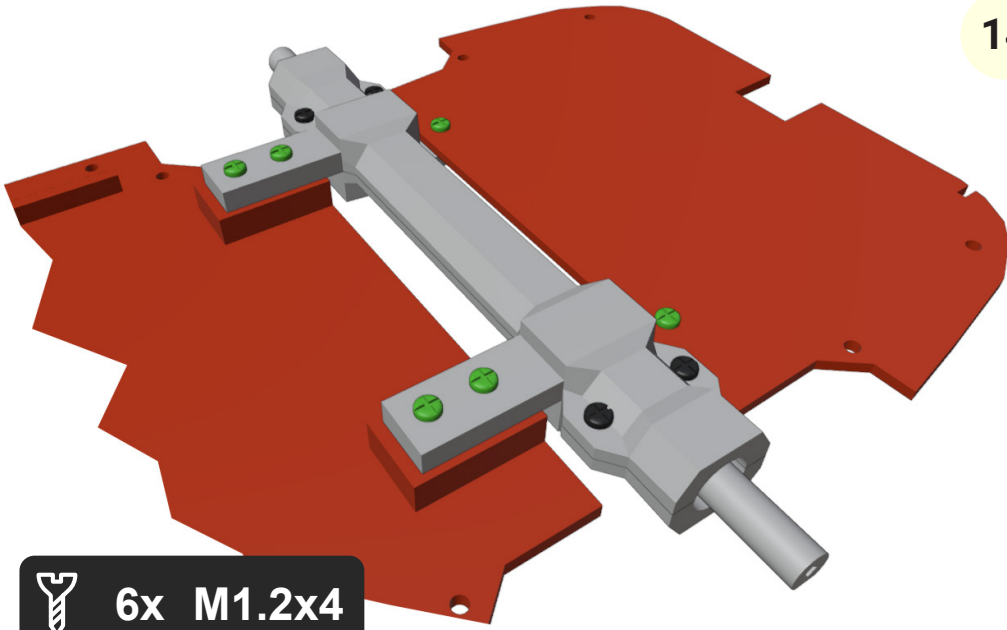
 4x M1.2x4

13



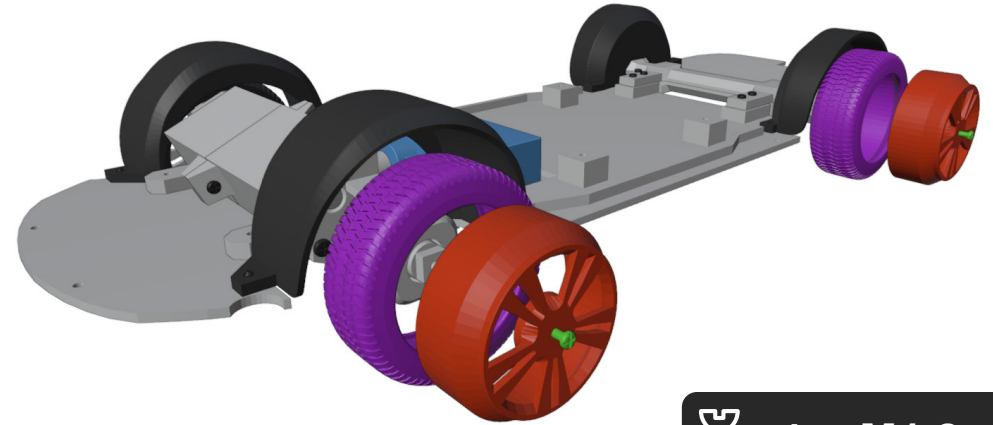
 4x M1.2x4

14



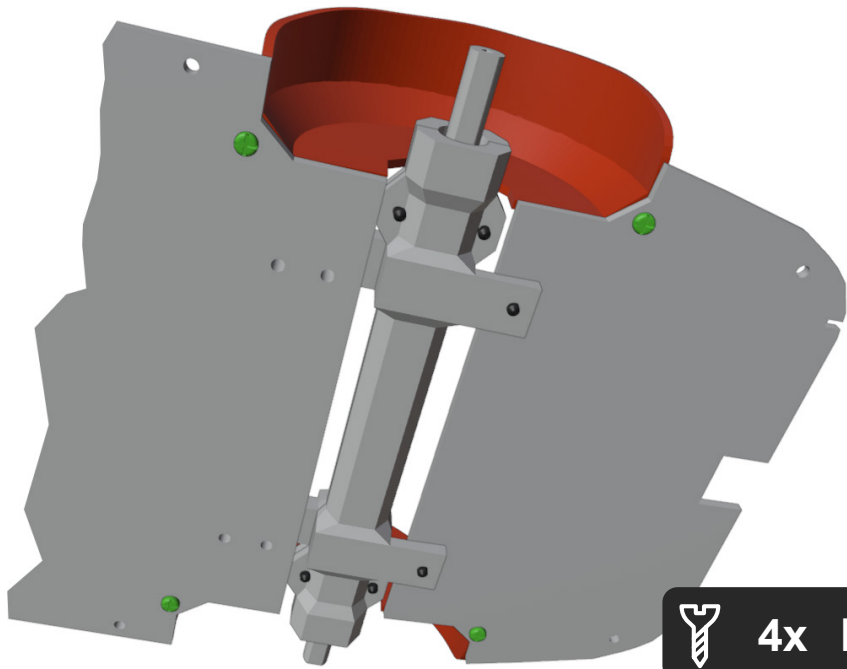
 6x M1.2x4

16



 4x M1.2x4

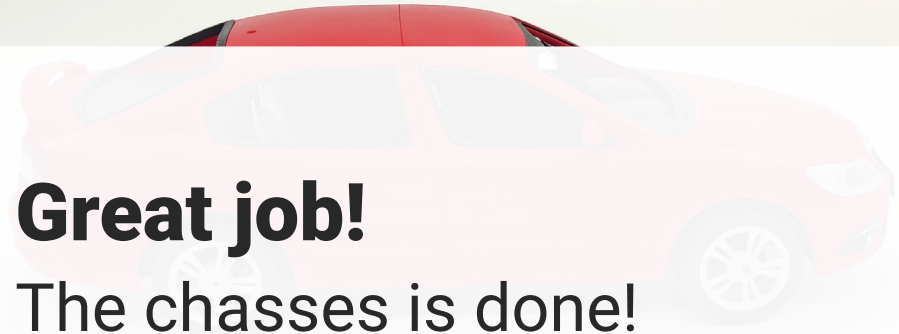
15



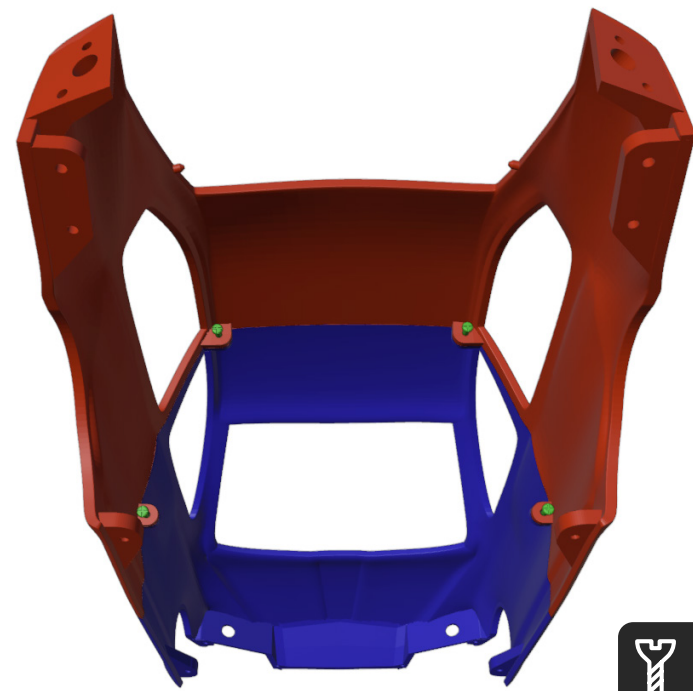
 4x M1.2x4

Great job!

The chassis is done!
Now let's do the body.



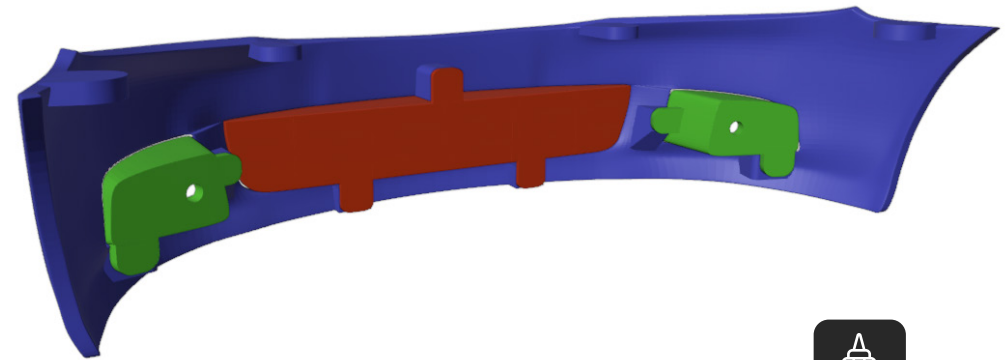
2. Body



1



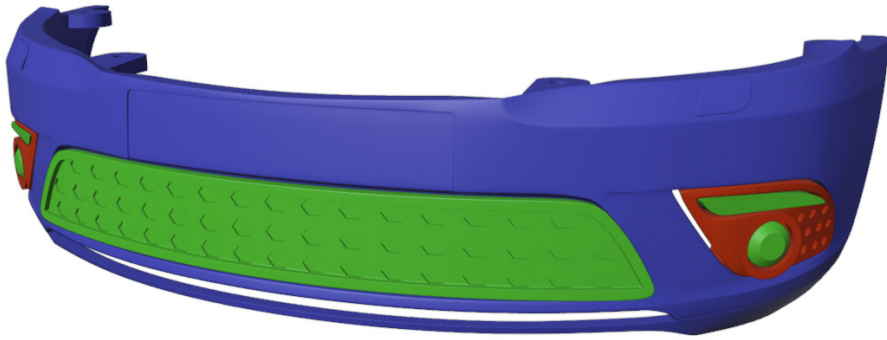
4x M1.2x5



2



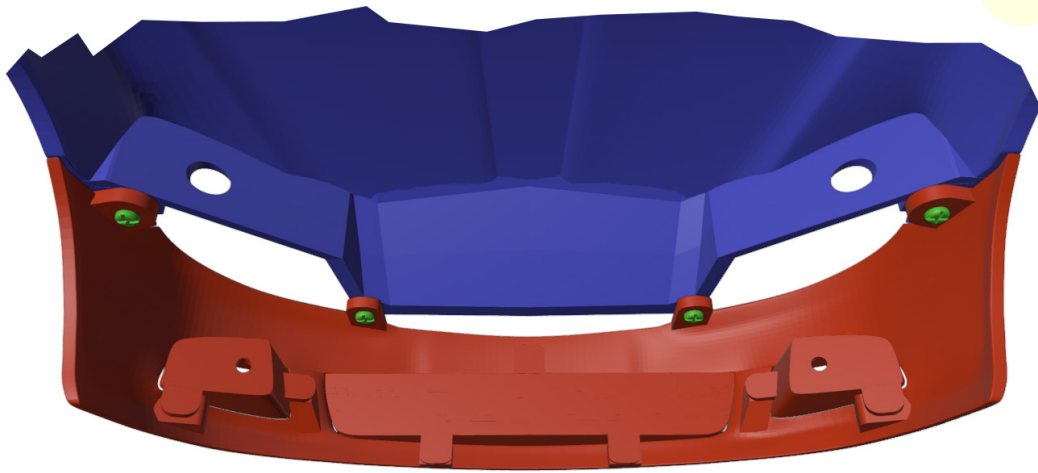
3



5



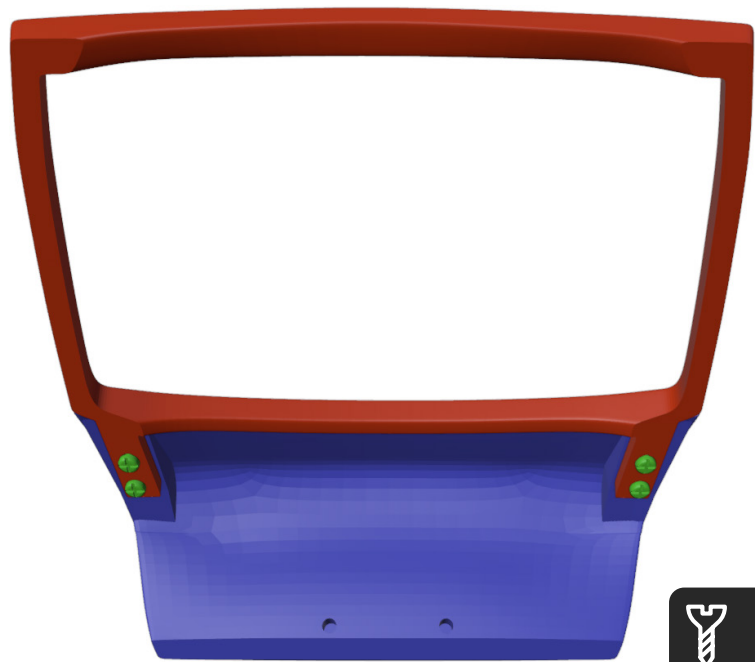
4



 4x M1.2x4

6

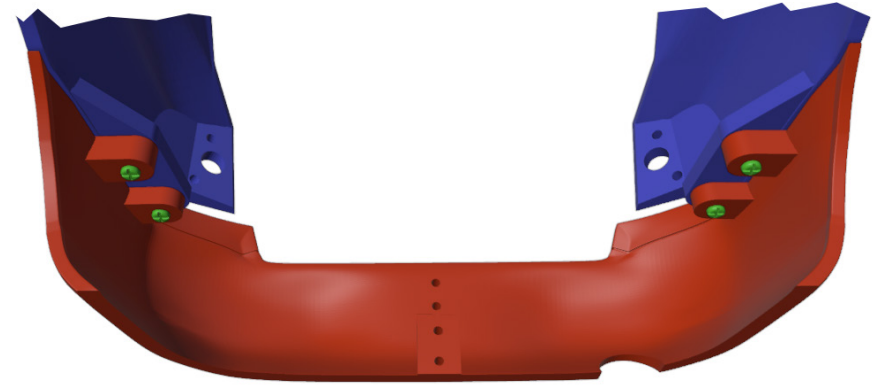




7



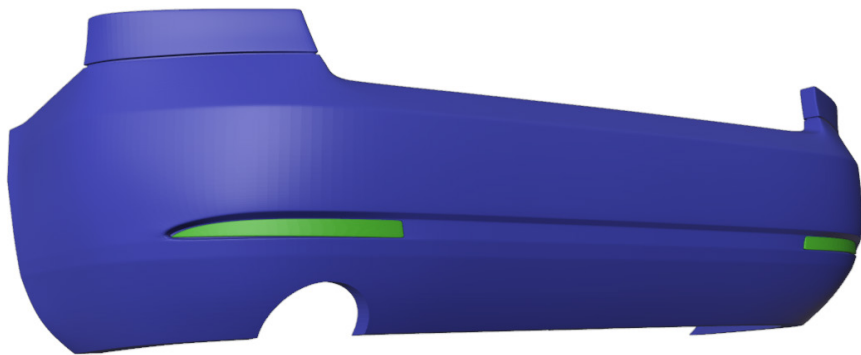
4x M1.2x5



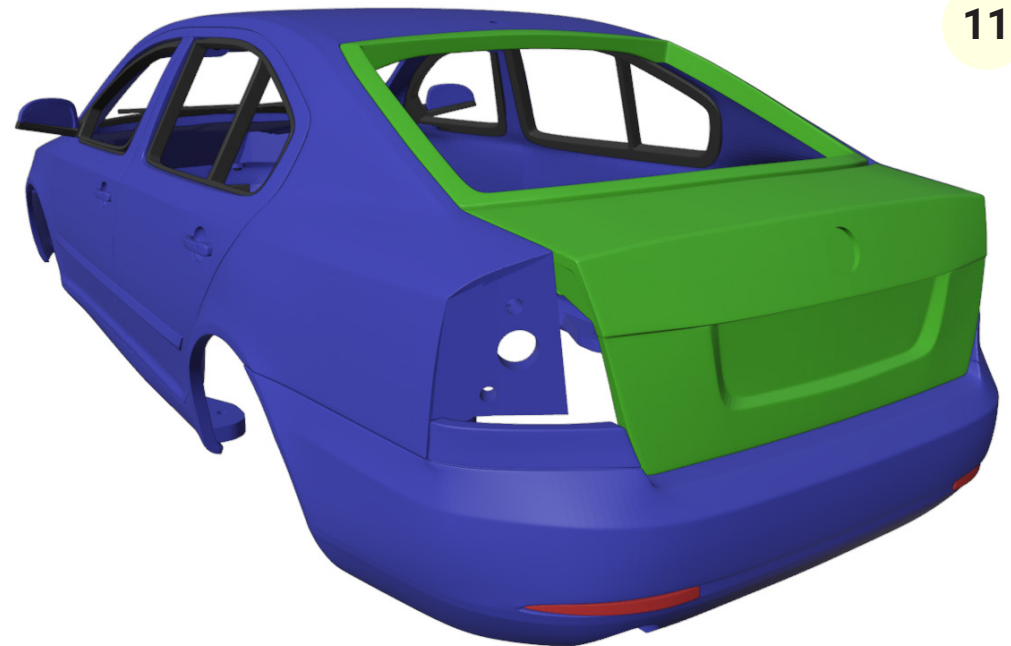
10



4x M1.2x5

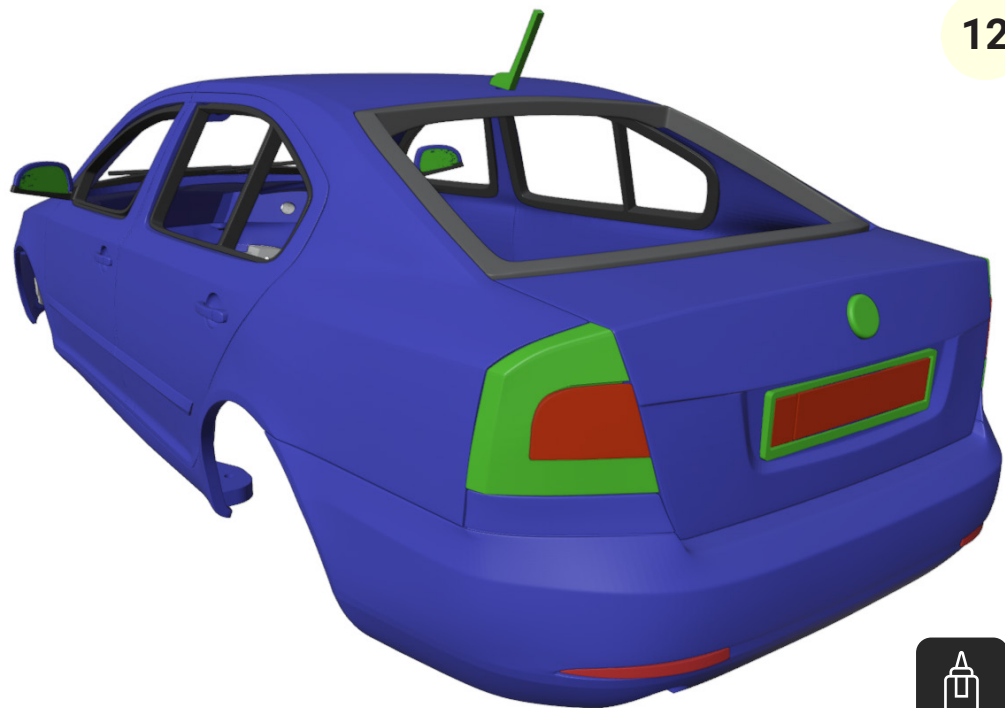


9

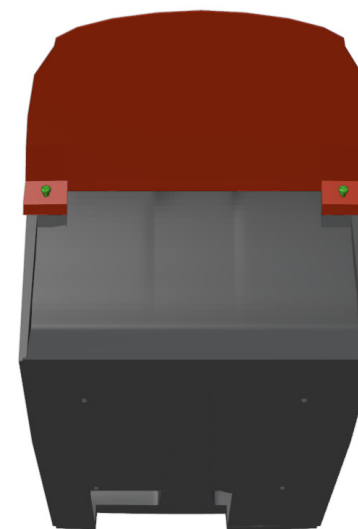


11

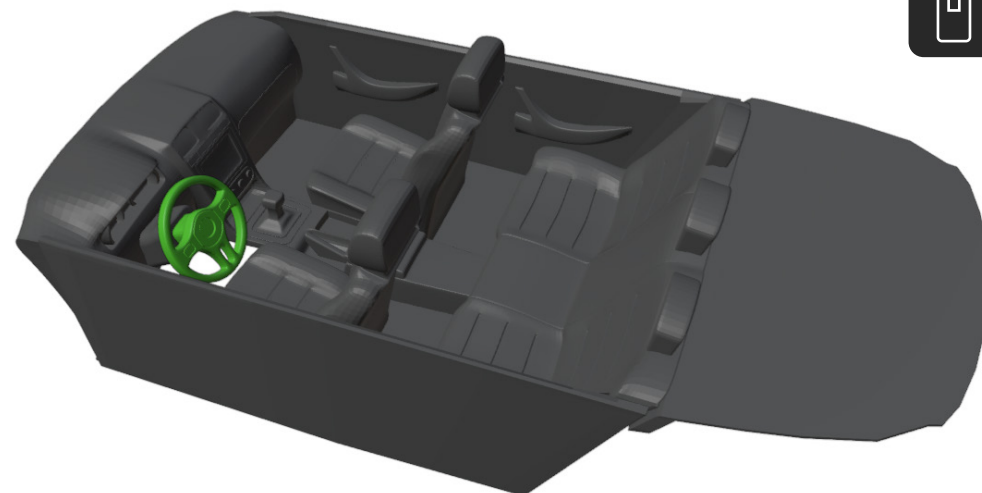
12



3. Interior



 2x M1.2x4

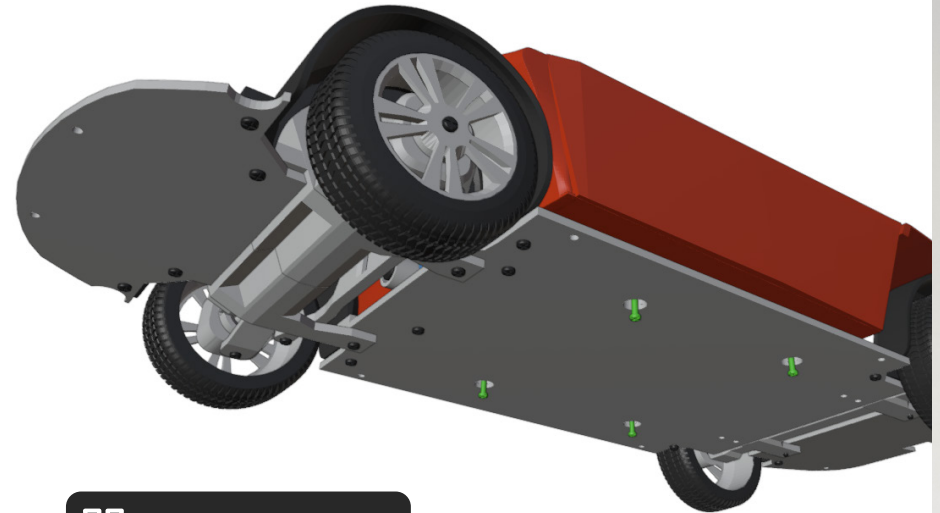


Great job!

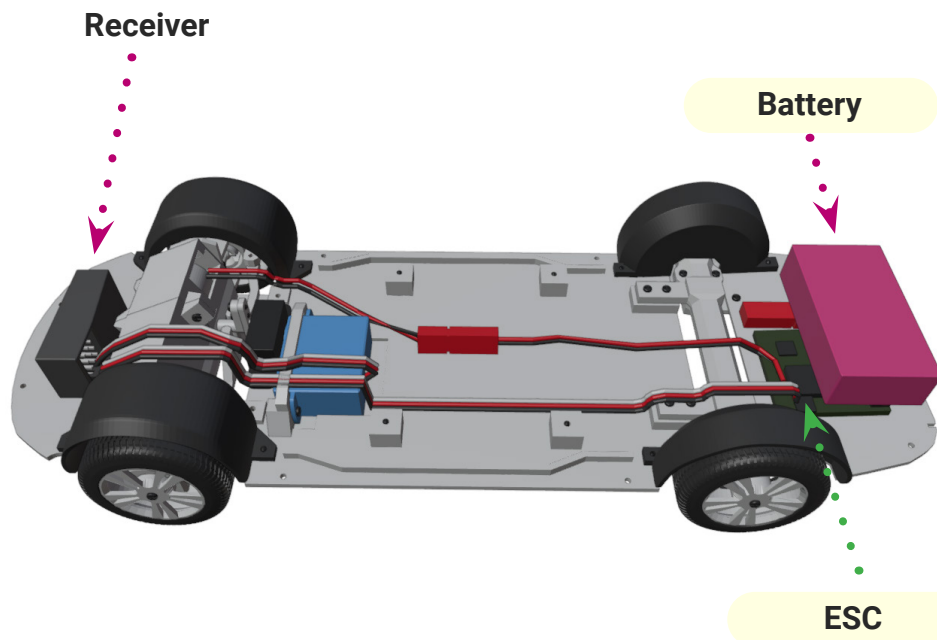
The body is done!
Now lets do interior.

Great job!

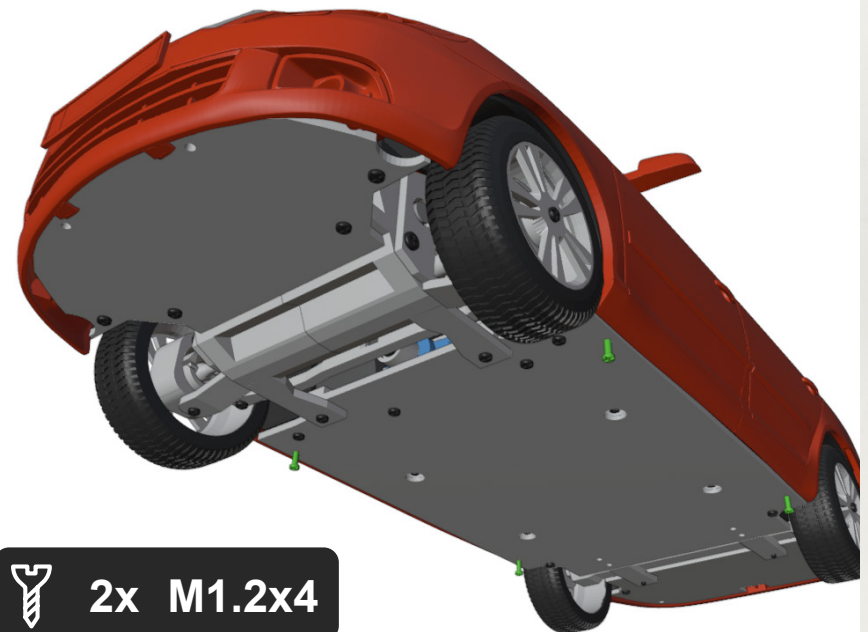
We are almost done
Now lets complete the car.



 2x M1.2x4



 2x M1.2x4





Great job!

We are done...

For more models, visit:

www.3drcmodels.com