

Skoda Felicia 1995

1:24 scale, fully 3D printed on FDM



More models at:

www.3drcmodels.com

Non printed parts

Screws

15x M1.2 x 5mm

50x M1.2 x 4mm

4x M1 x 4mm



Bearings

6x 3x6x2



** If you DONT want to build car as RC, you don't need any bearings*

RC electronic ** Optional if you want to have it as RC*



2S ESC

** No fancy ESC required.*



1x 6V DC Motor

** cca 750 RPM*



2S Lipo battery

** Around 400mah is more than enough.*



RC Set

** Just basic RC set will do the job*

Prologue

Thank you

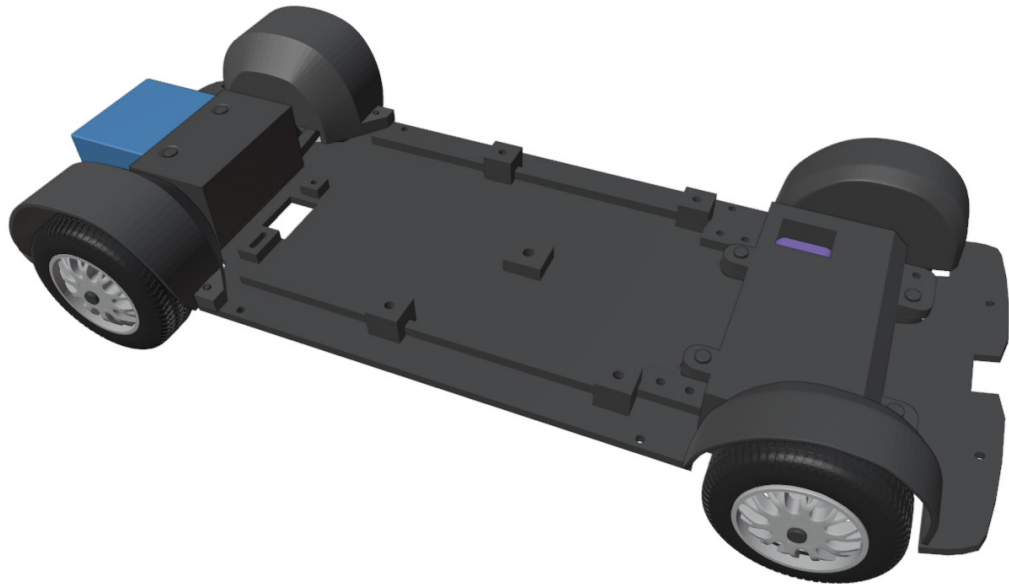
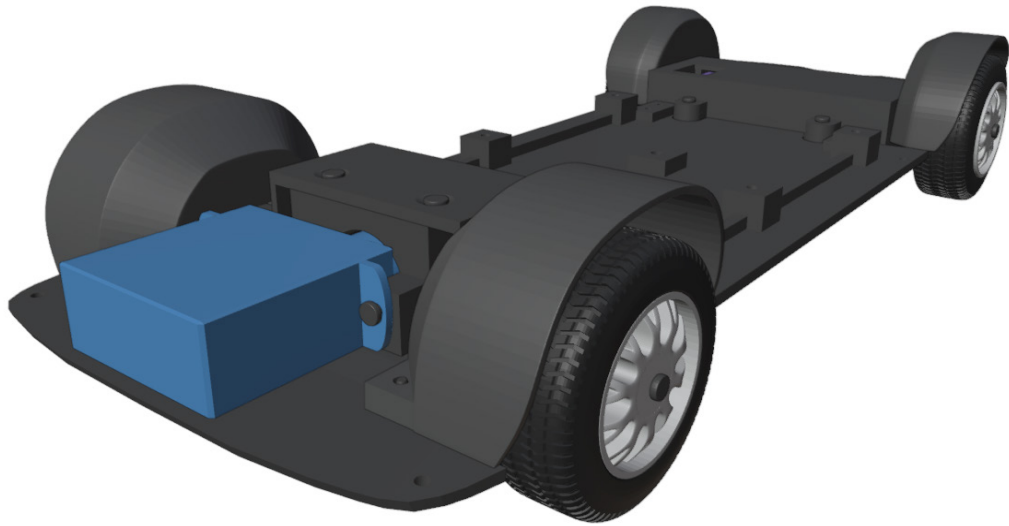
Thank you for supporting my hobby by buying this model. I had great time designing this kit and I hope you will have same building it and playing with it. Thanks small scale, it's very easy, cheap and quick to print and build.

More models can be found at
www.3drcmodels.com

Warning!

Please be careful! Kit contain lots of small parts that can be swallow by infant. Event after build is finished, small parts can be ripped off and can be dangerous. I don't recommend giving this toy to kid younger 3 years.

1. Chassis

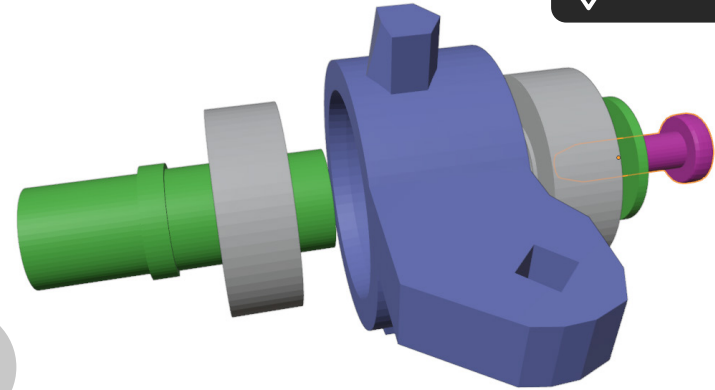


4x 3x6x2mm bearings and shaft has to fit tightly

1

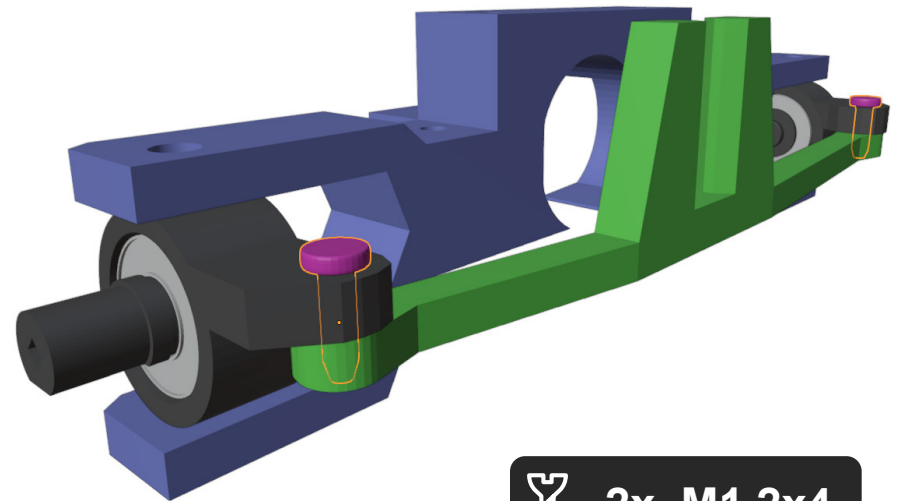


2x M1.2x4



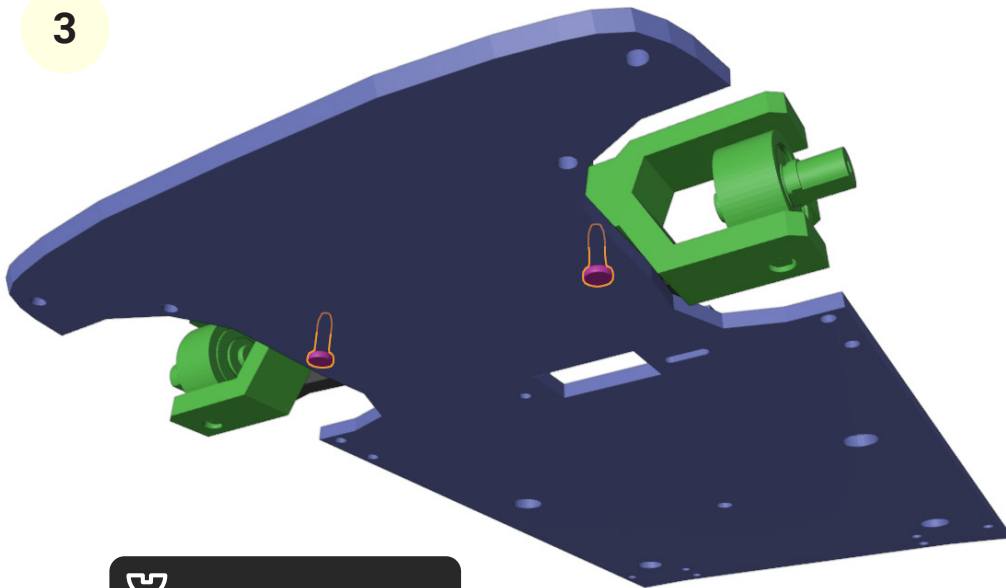
2x

2



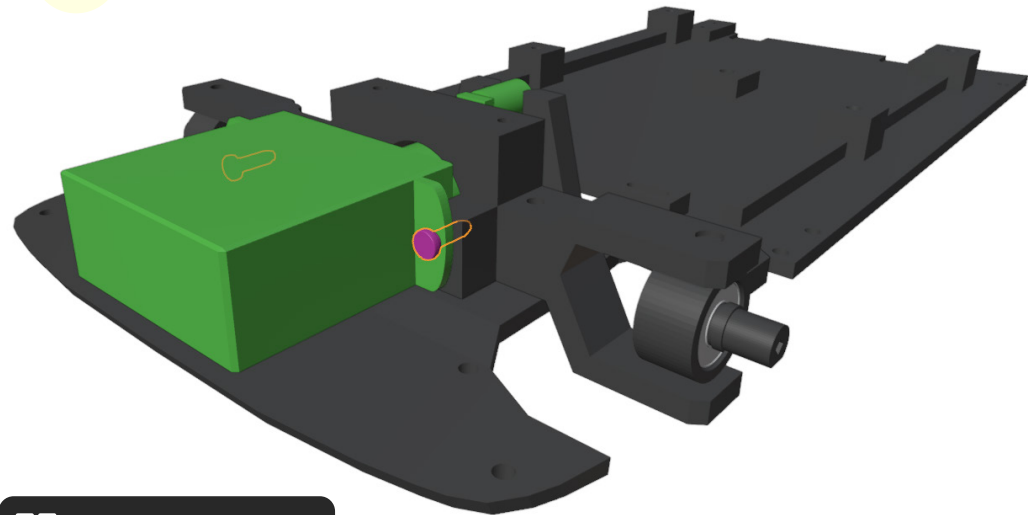
2x M1.2x4

3



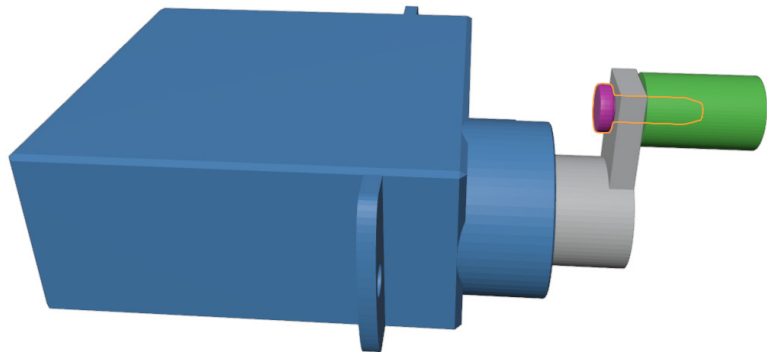
 2x M1.2x4

5



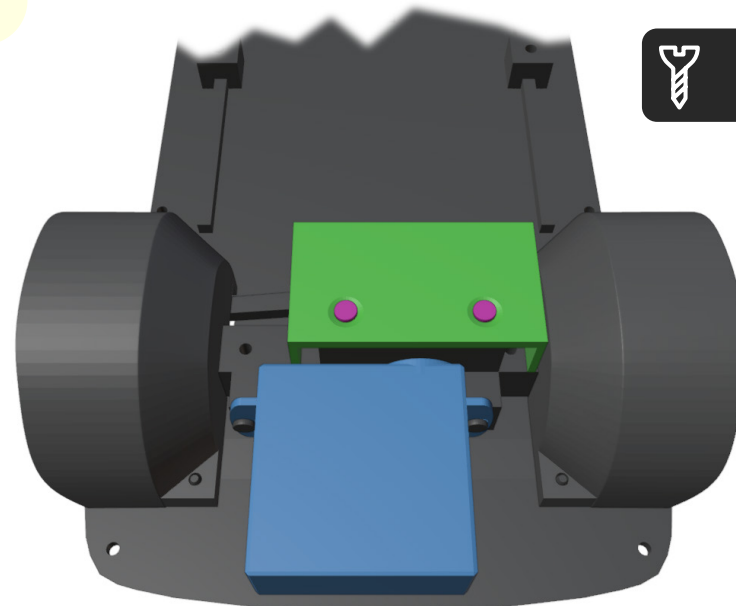
 2x M1.2x4

4



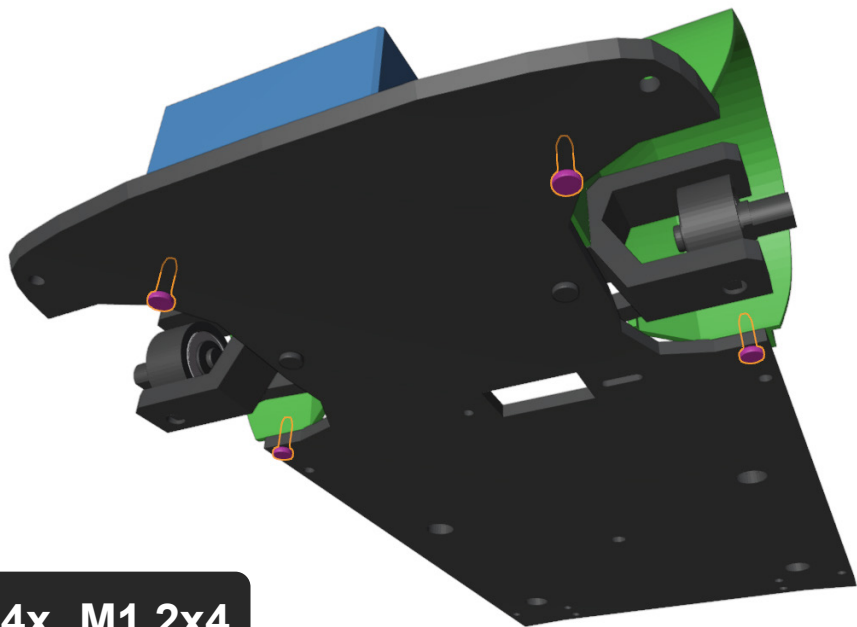
 1x M1.2x4

6



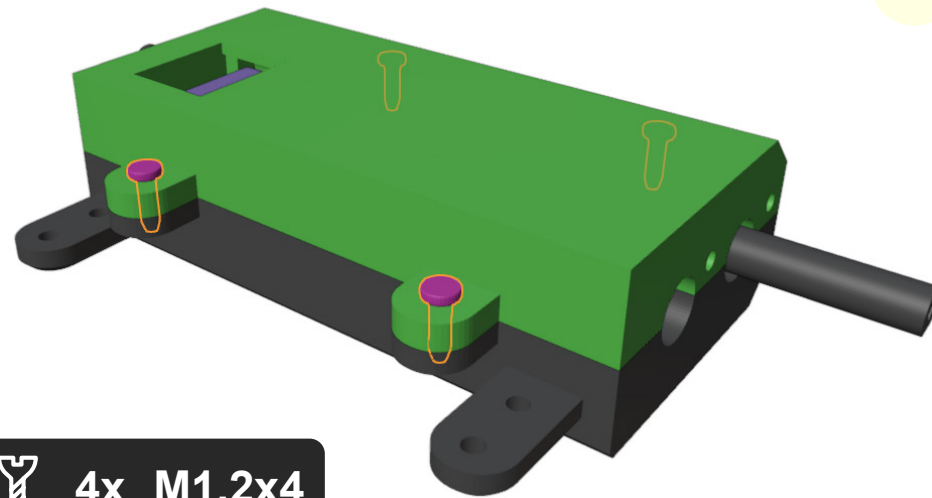
 2x M1.2x4

7



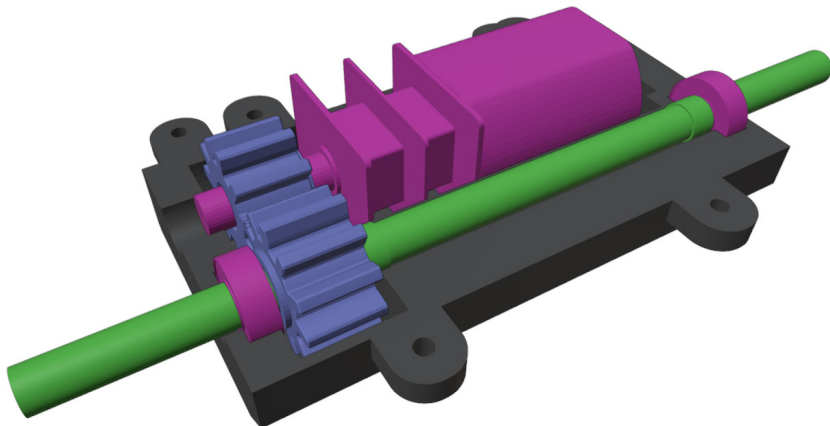
 4x M1.2x4


8



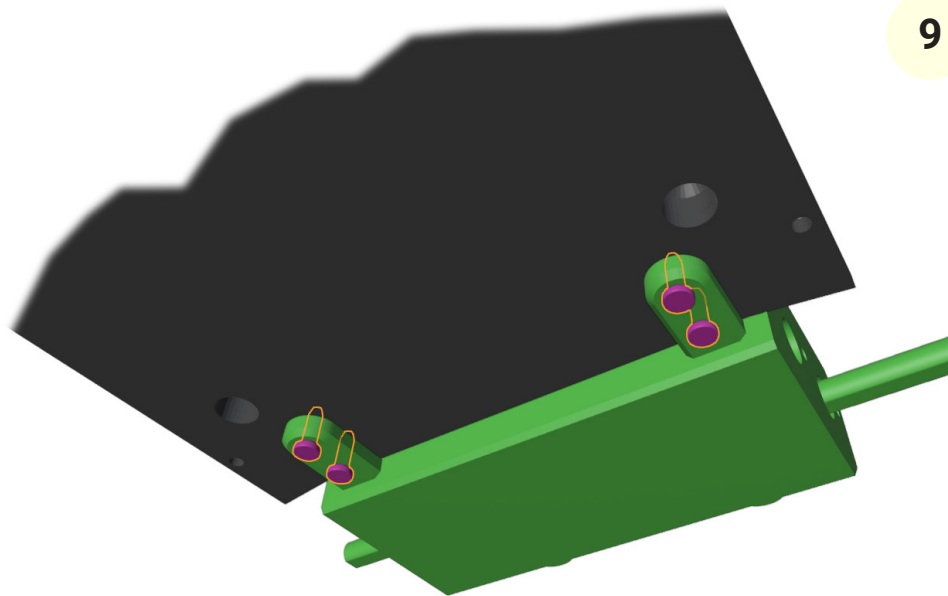
 4x M1.2x4

8



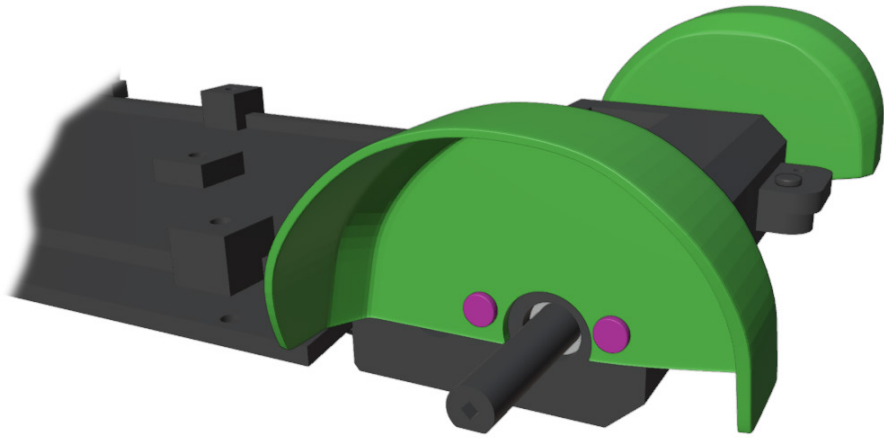
 2x 3x6x2mm bearings and shaft has to fit tightly

9



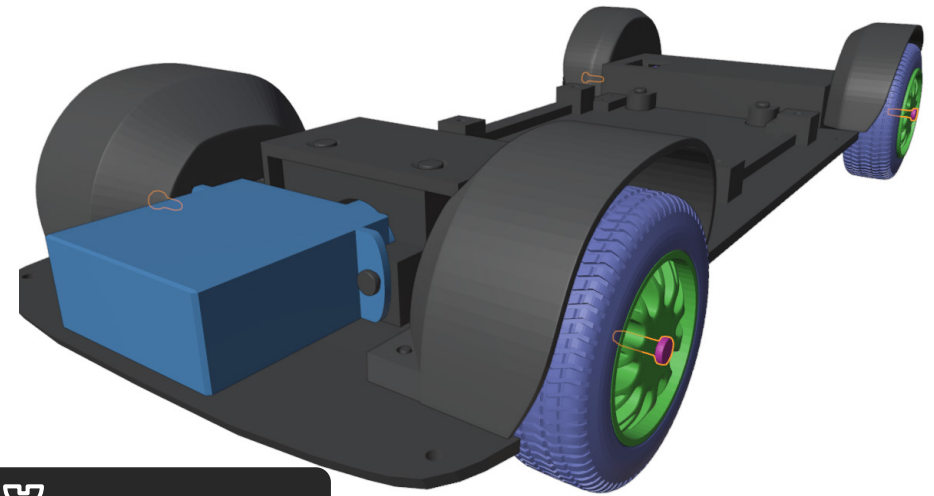
 4x M1.2x4

10



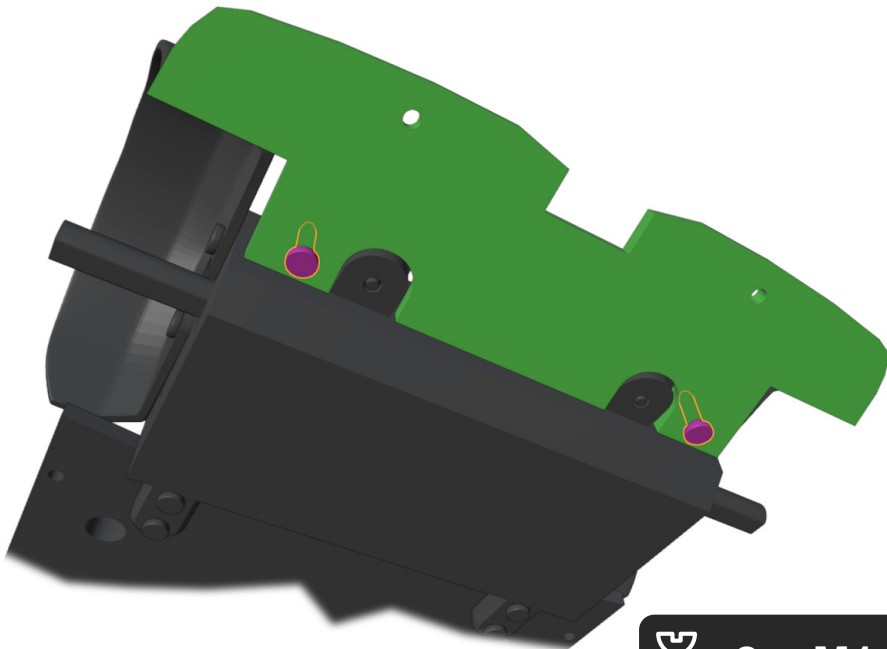
 4x M1.2x3

12



 4x M1.2x5

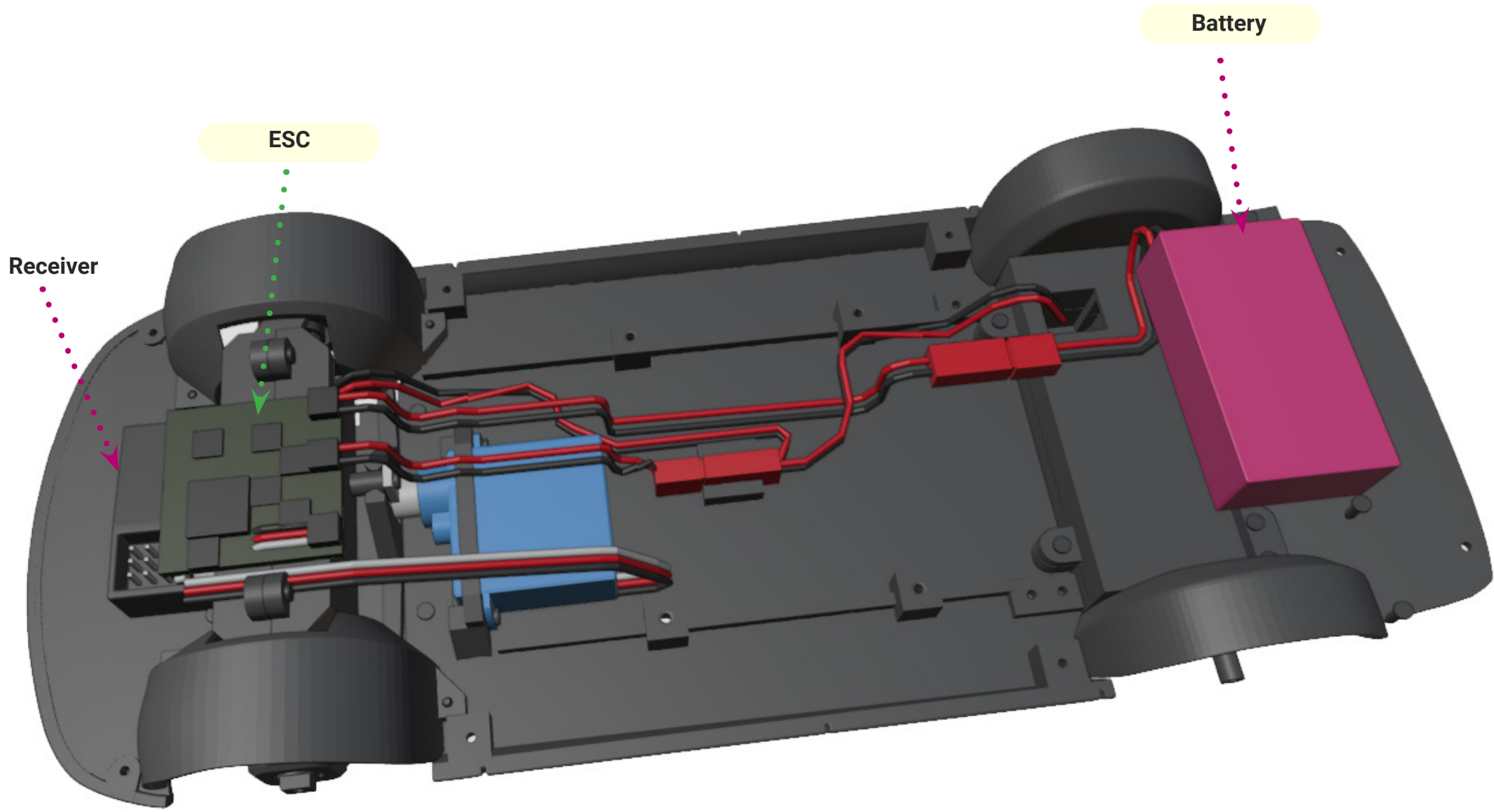
11



 2x M1.2x4

13

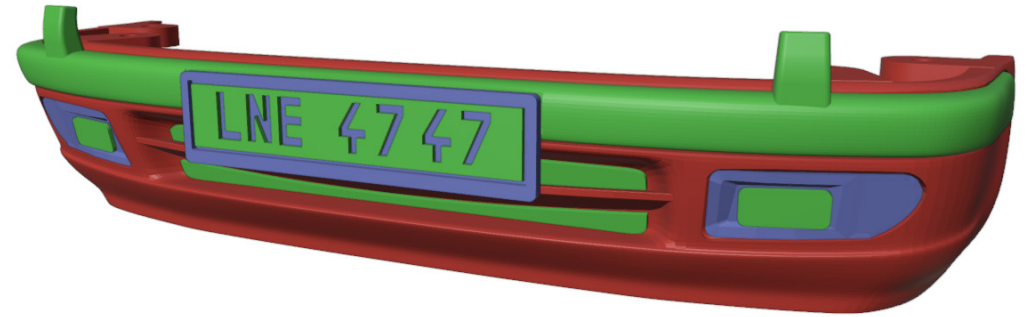
 4x M1.2x4



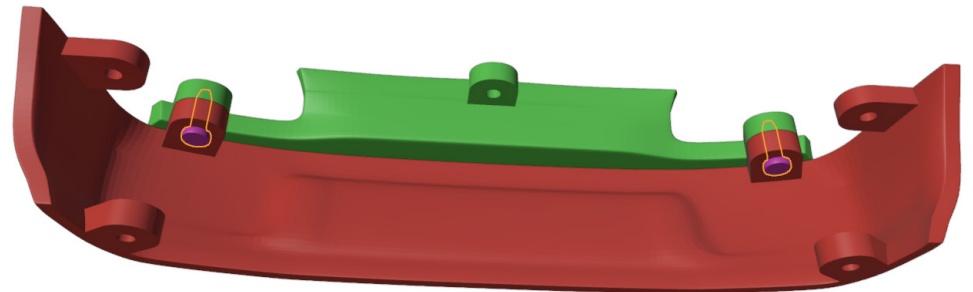
2. Body



1

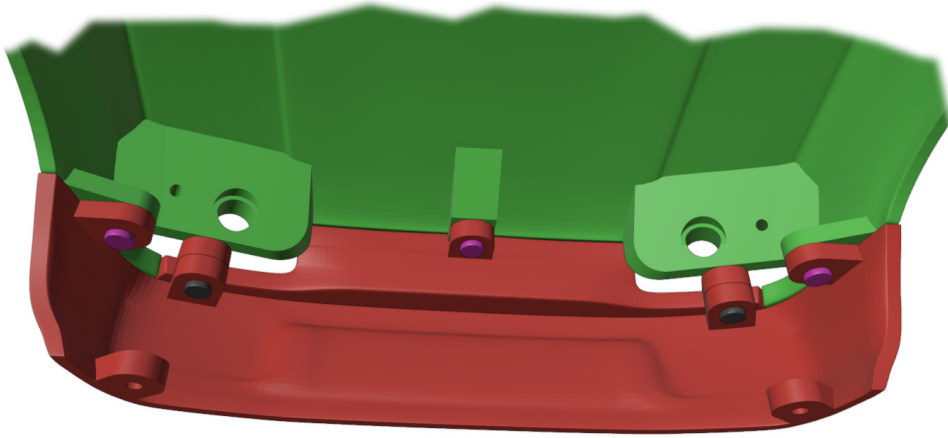


2



2x M1.2x4

3

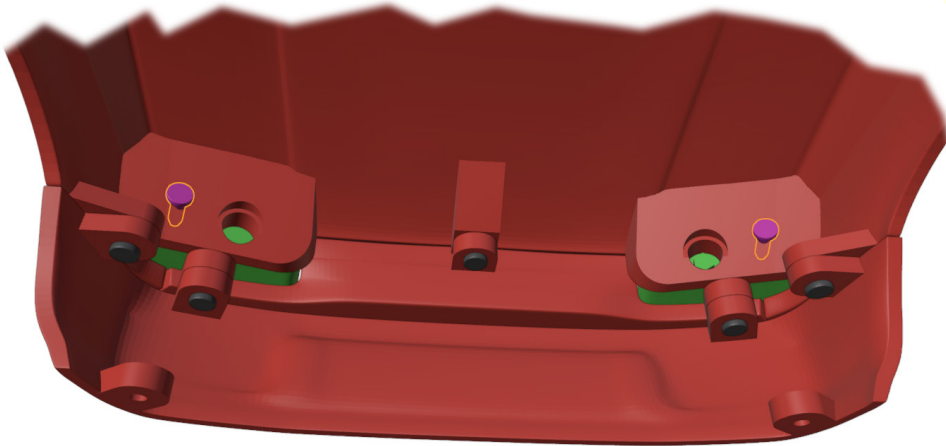


 3x M1.2x4

5



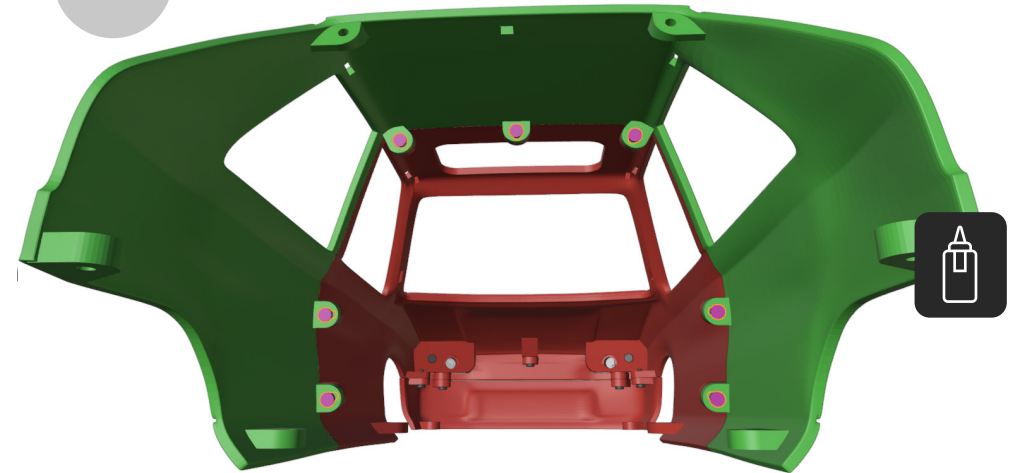
4



 2x M1x4

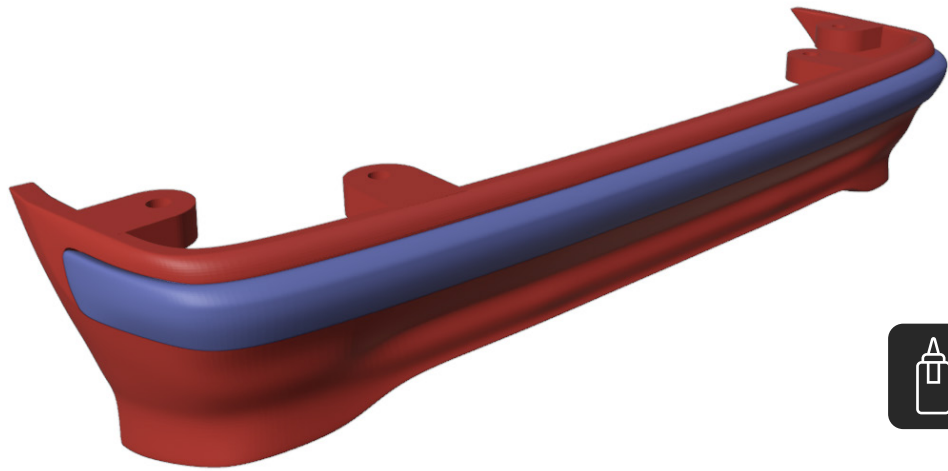
6

2x



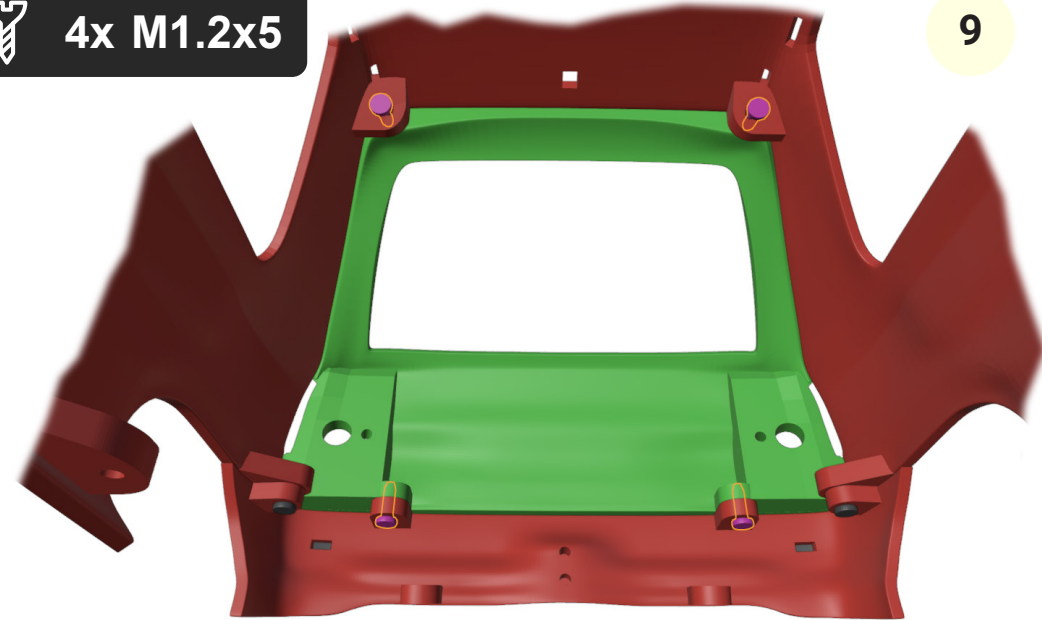
 7x M1.2x4

7

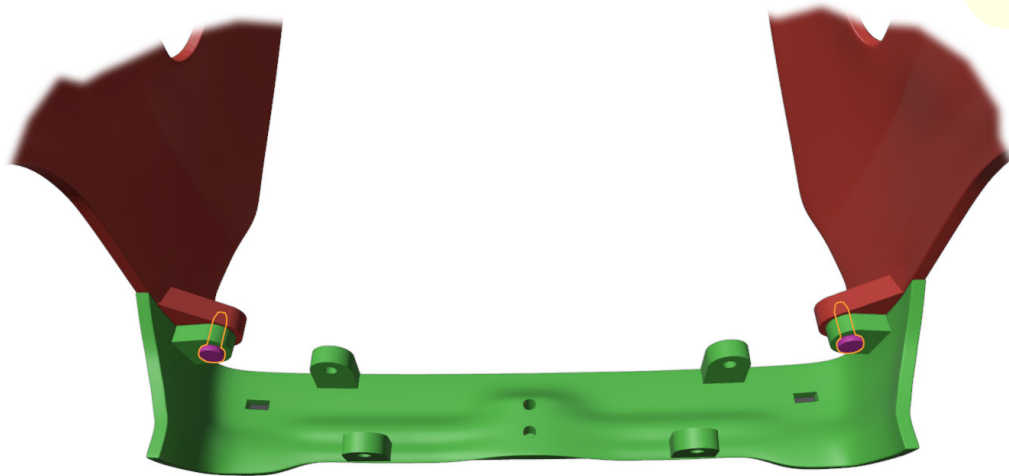


4x M1.2x5

9



8

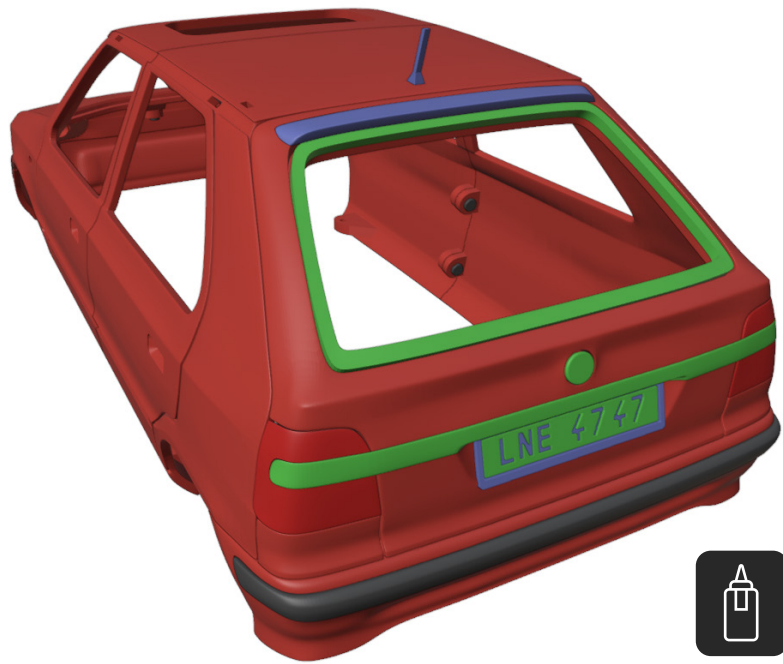


2x M1.2x4

10



2x M1.2x4

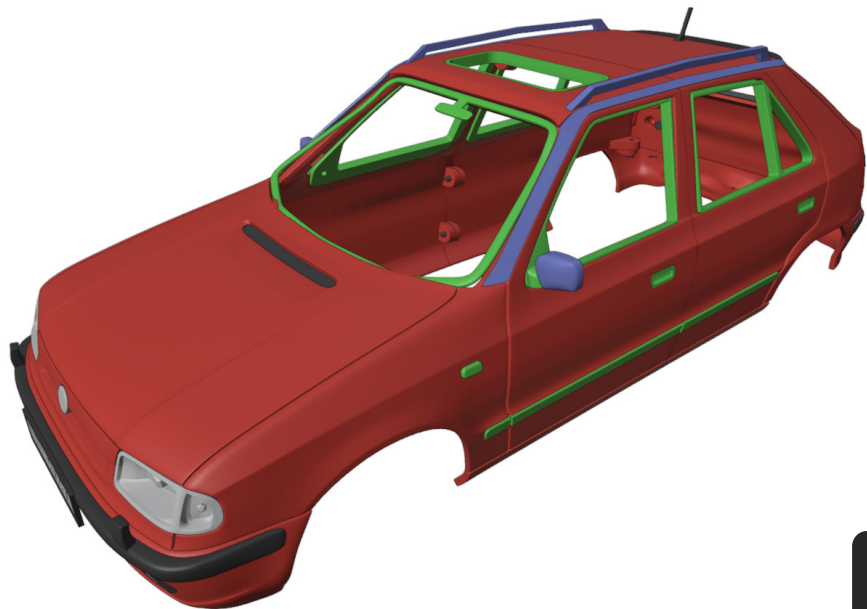


11

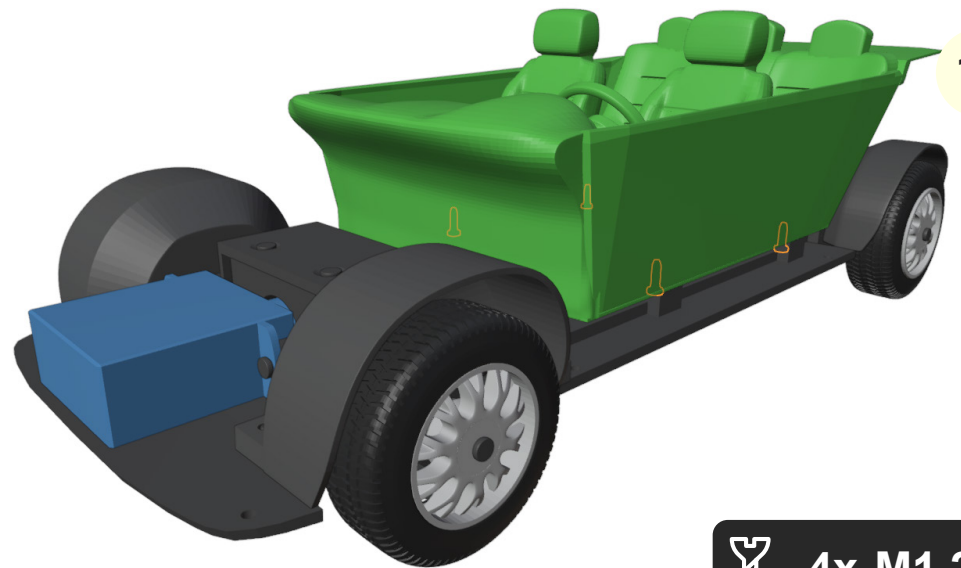


13

 2x M1.2x4



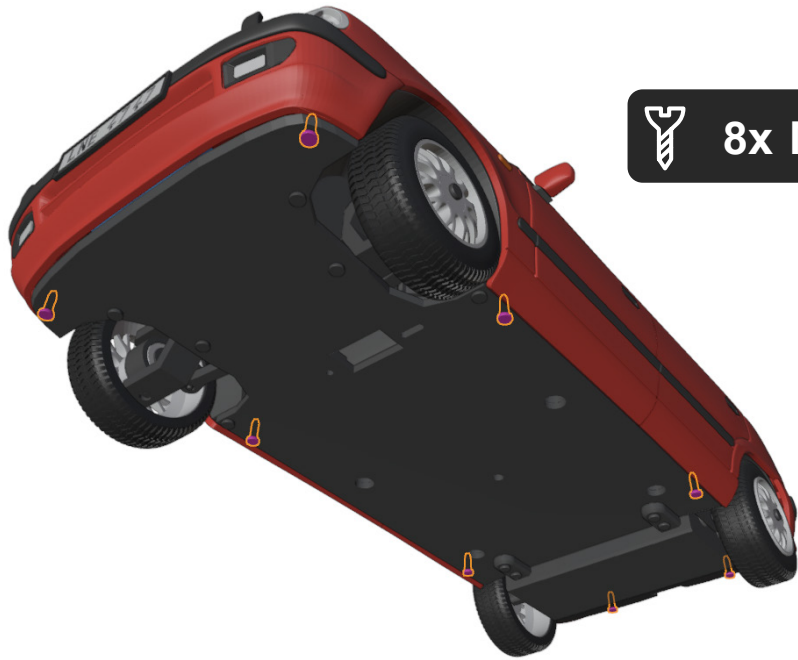
12



14

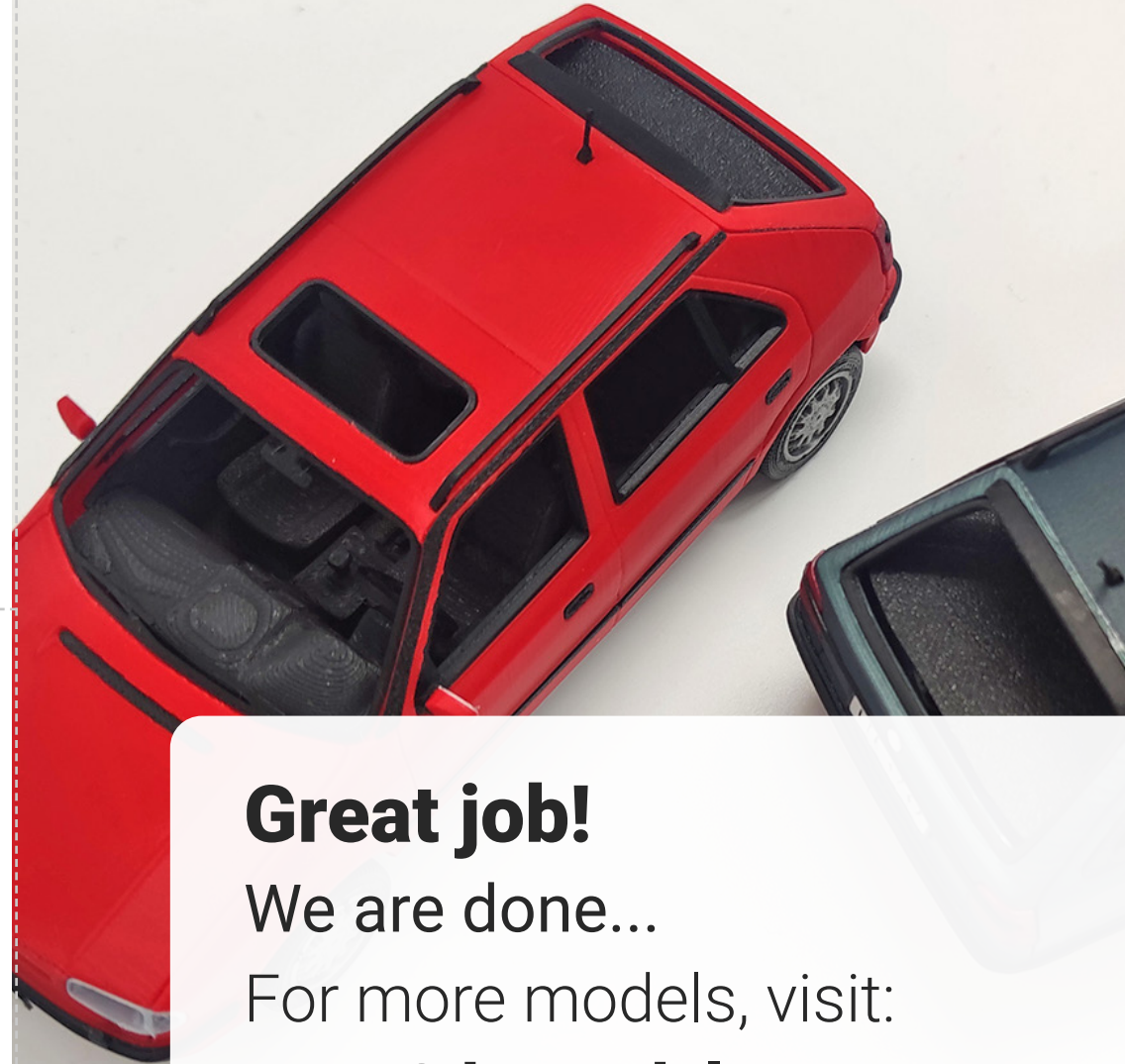
 4x M1.2x4

15



8x M1.2x4

16



Great job!

We are done...

For more models, visit:

www.3drcmodels.com