

# Skoda Garde

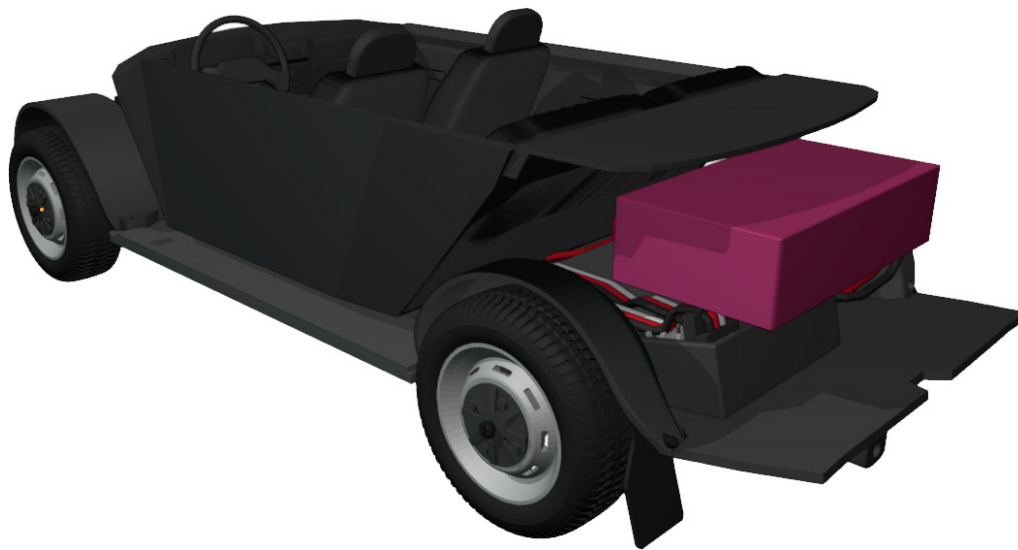
1:24 scale, fully 3D printed on FDM



More models at:

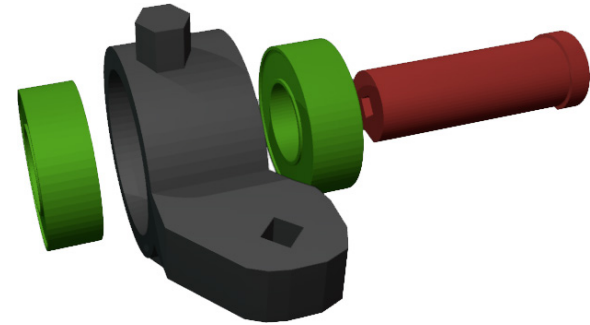
**[www.3drcmodels.com](http://www.3drcmodels.com)**

# 1. Chassis

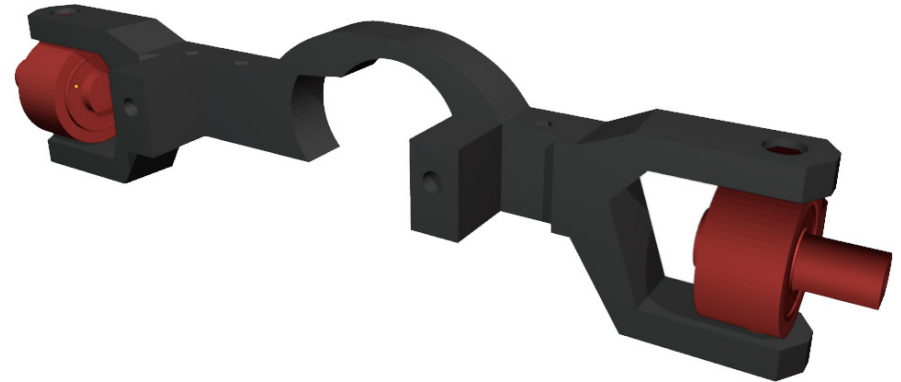


4x 3x6x2mm bearings and shaft has to fit tightly

1



2

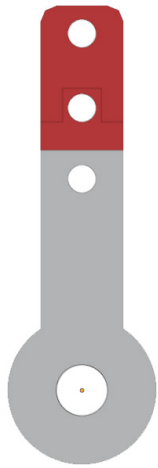


3

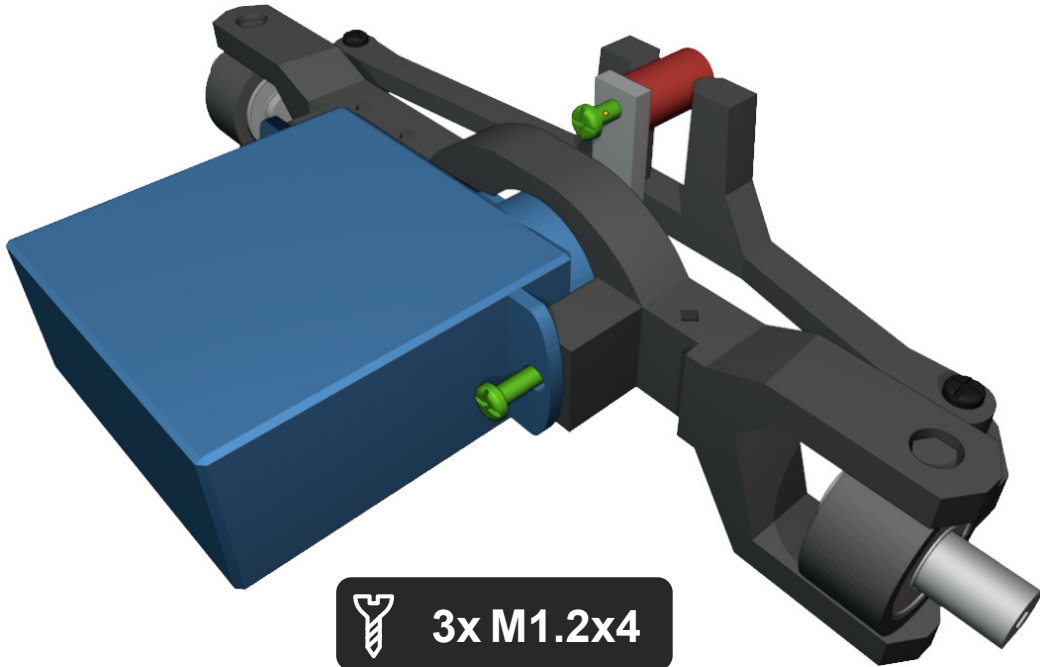


2x M1.2x4

4



You need to cut red part of steering pin so it fits under cover.

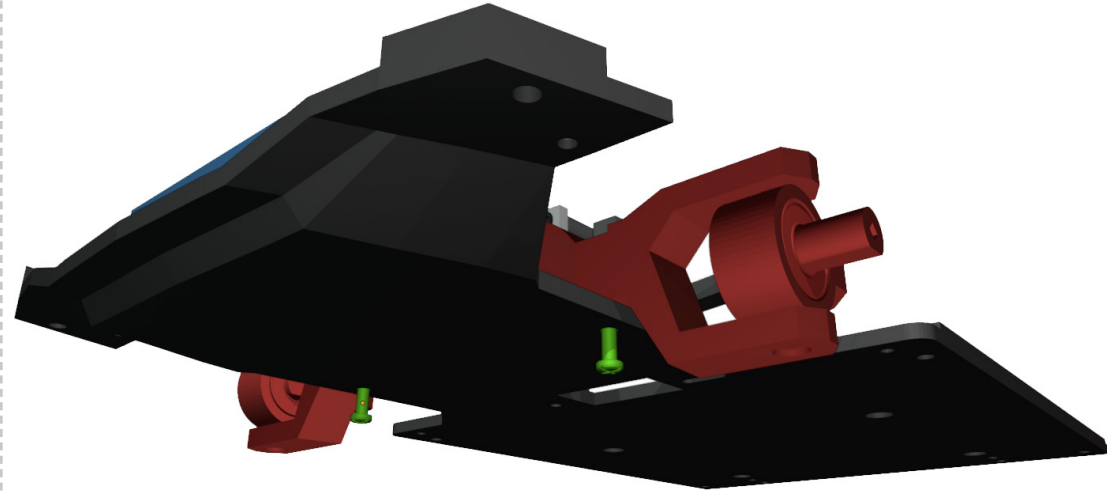


3x M1.2x4

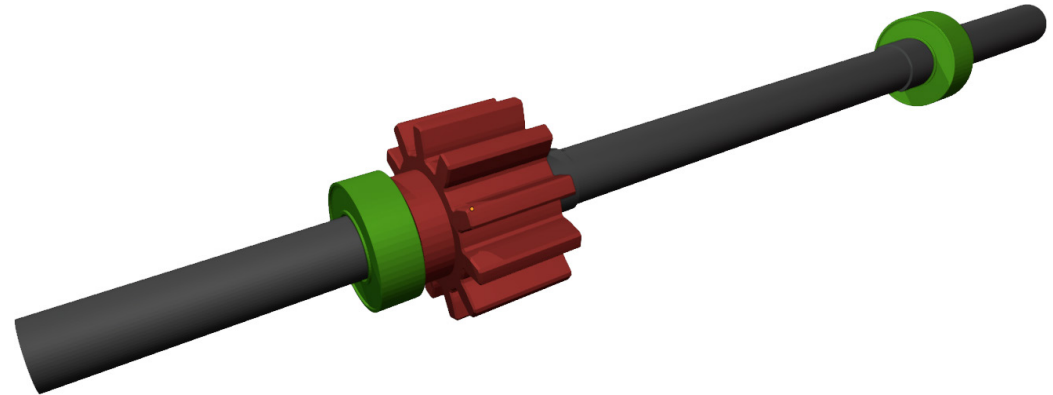
5



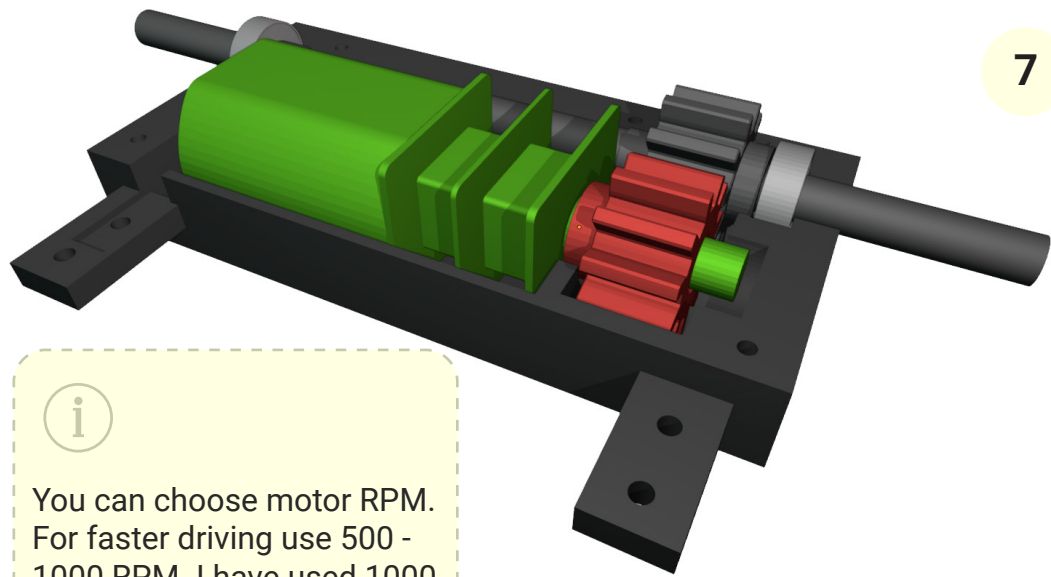
2x M1.2x5



6

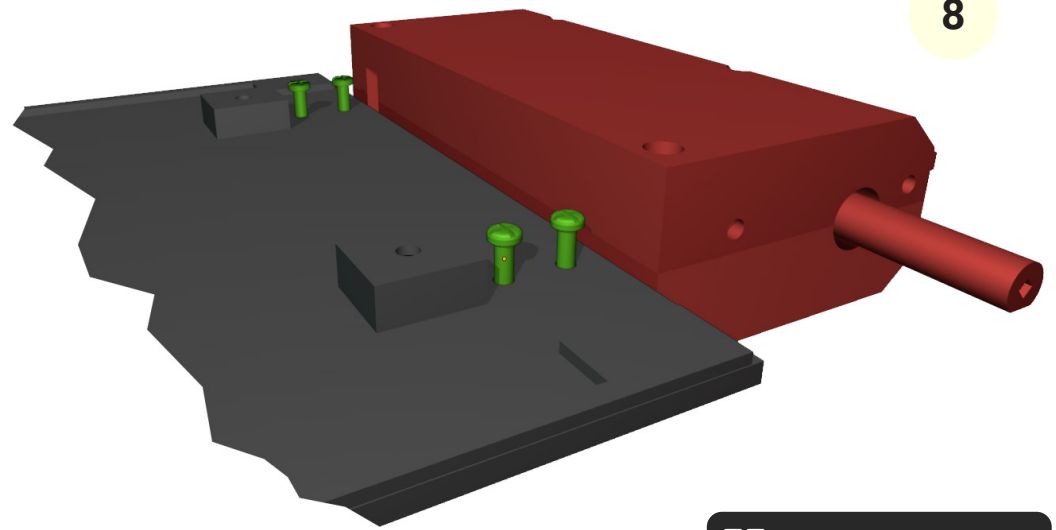


4x 3x6x2mm bearings and gear has to fit tightly



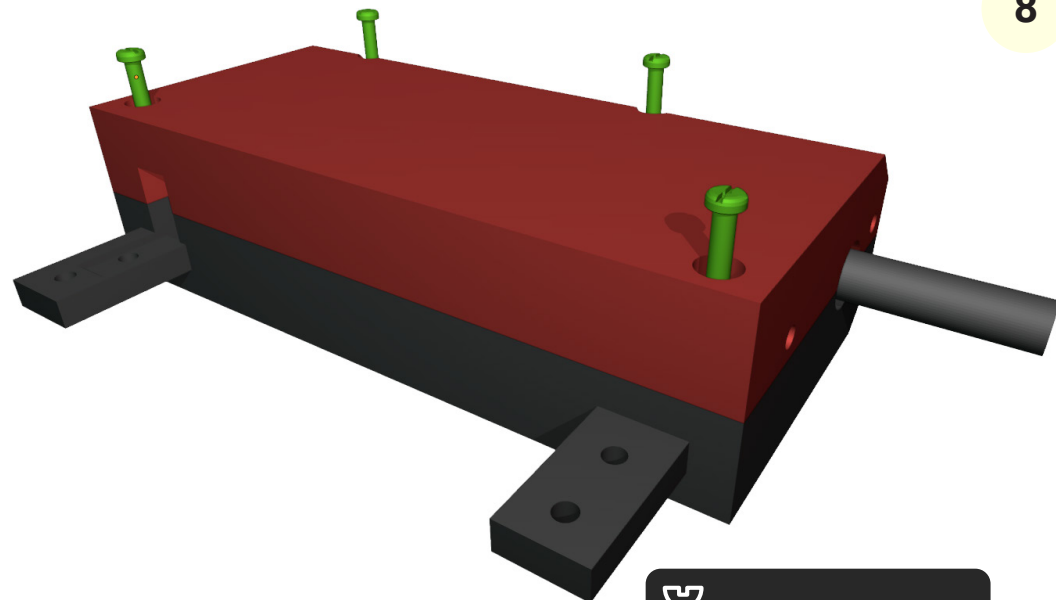
7

**i**  
 You can choose motor RPM.  
 For faster driving use 500 -  
 1000 RPM. I have used 1000  
 RPM.



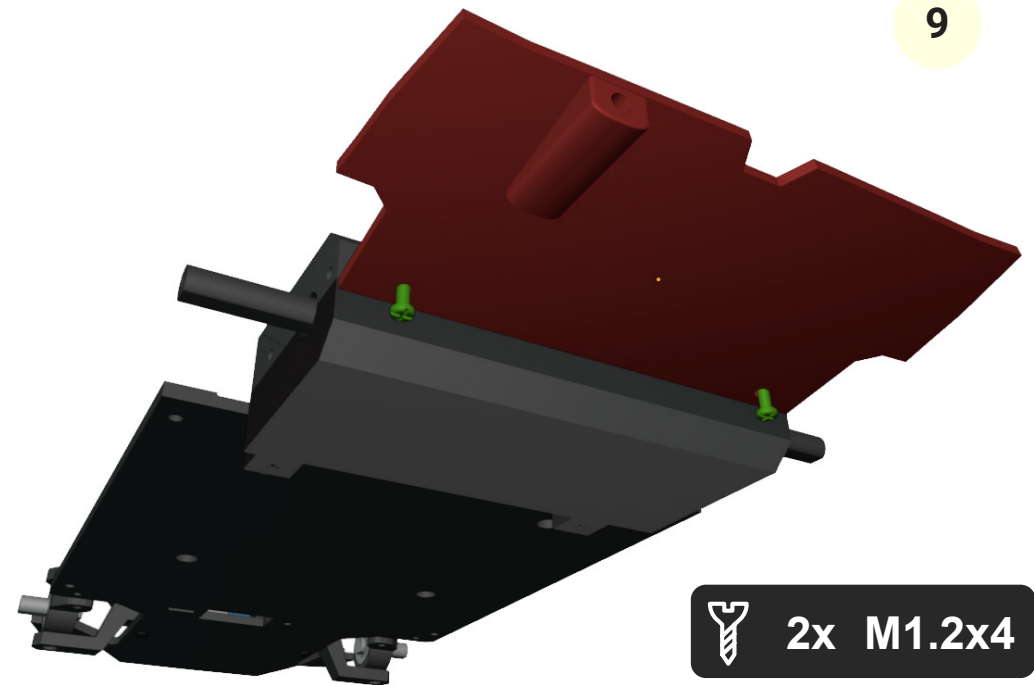
8

**4x M1.2x4**



8

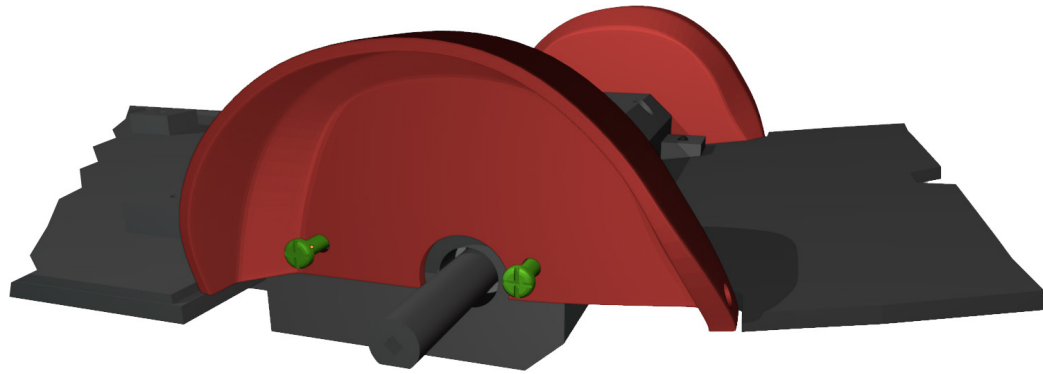
**4x M1x4**



9

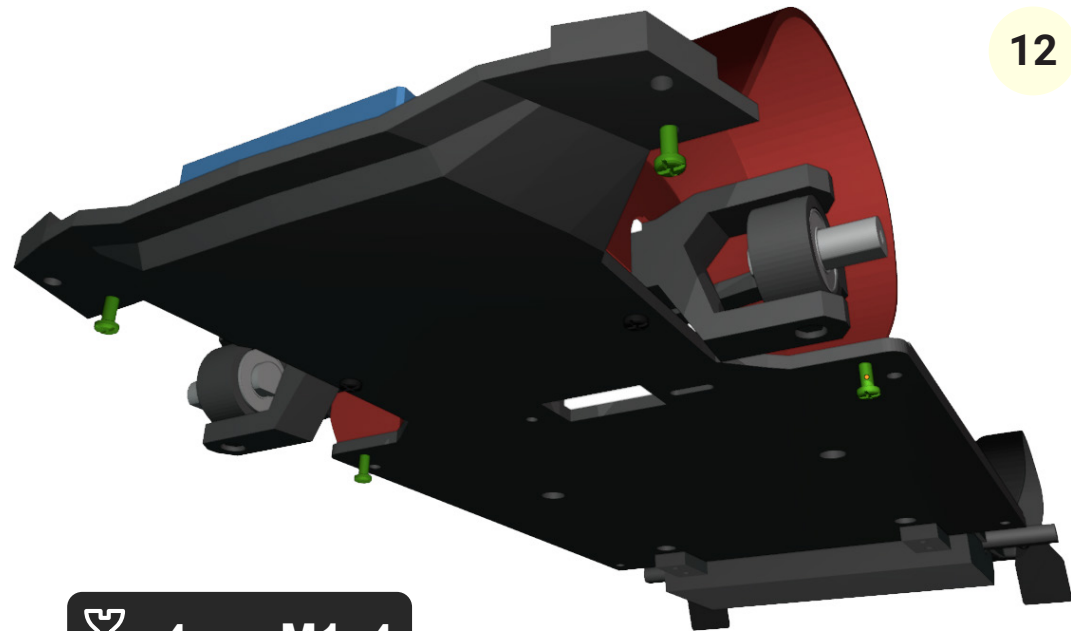
**2x M1.2x4**

10



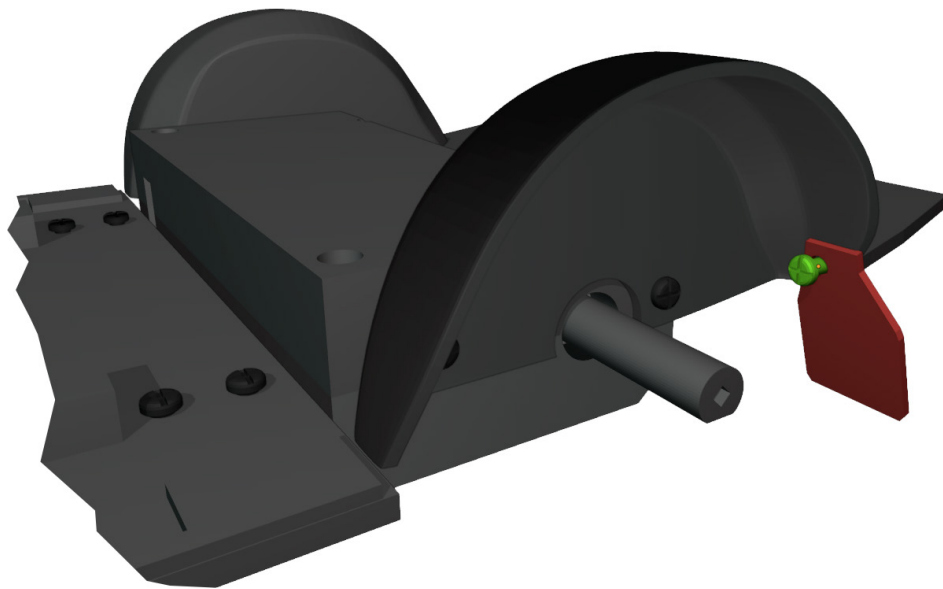
 4x M1.2x3

12



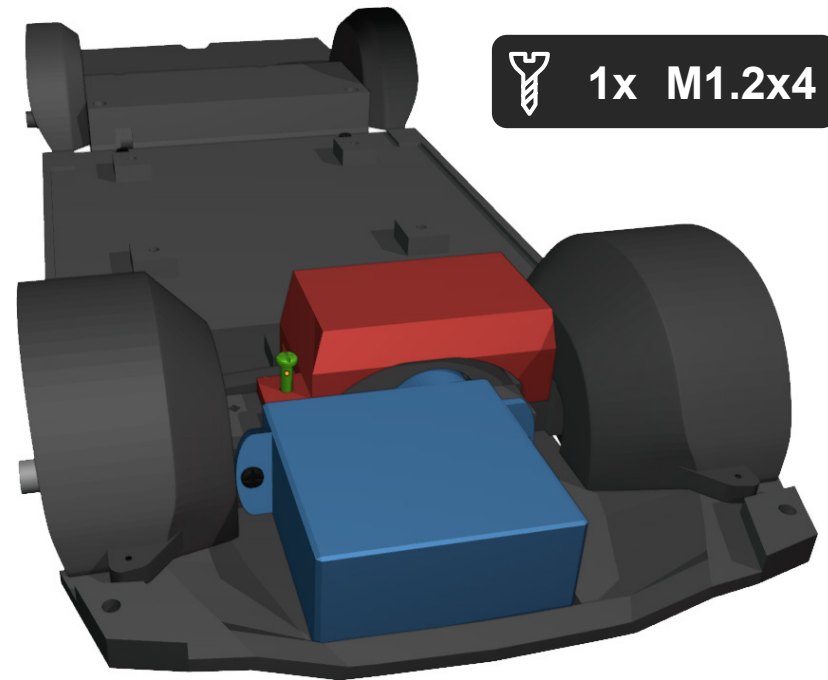
 4x M1x4

11



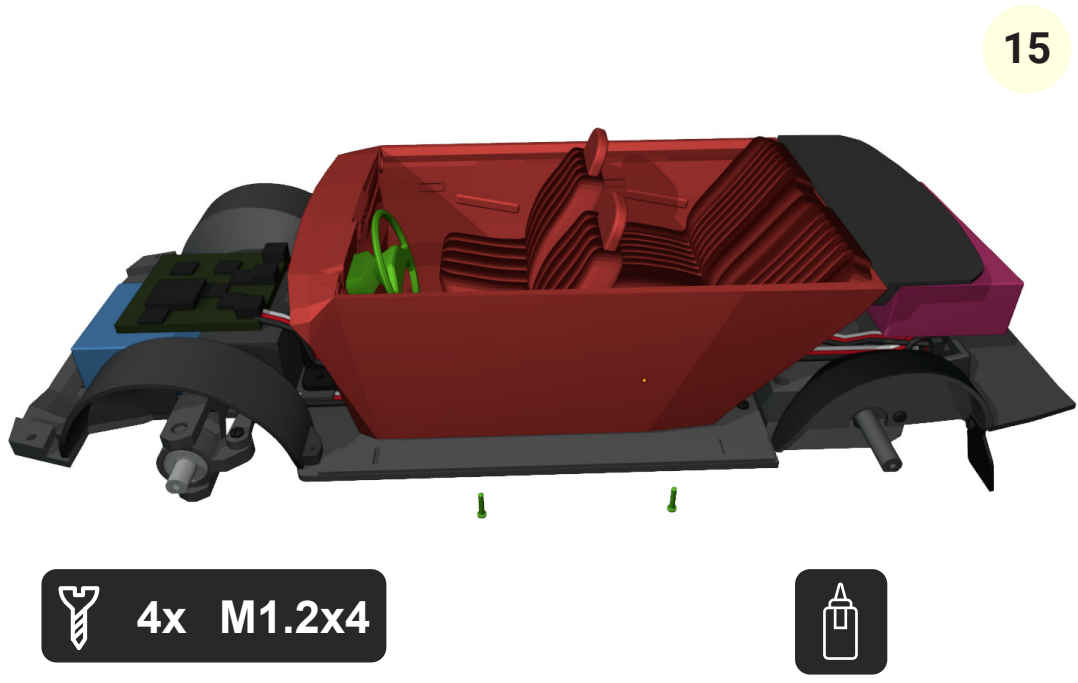
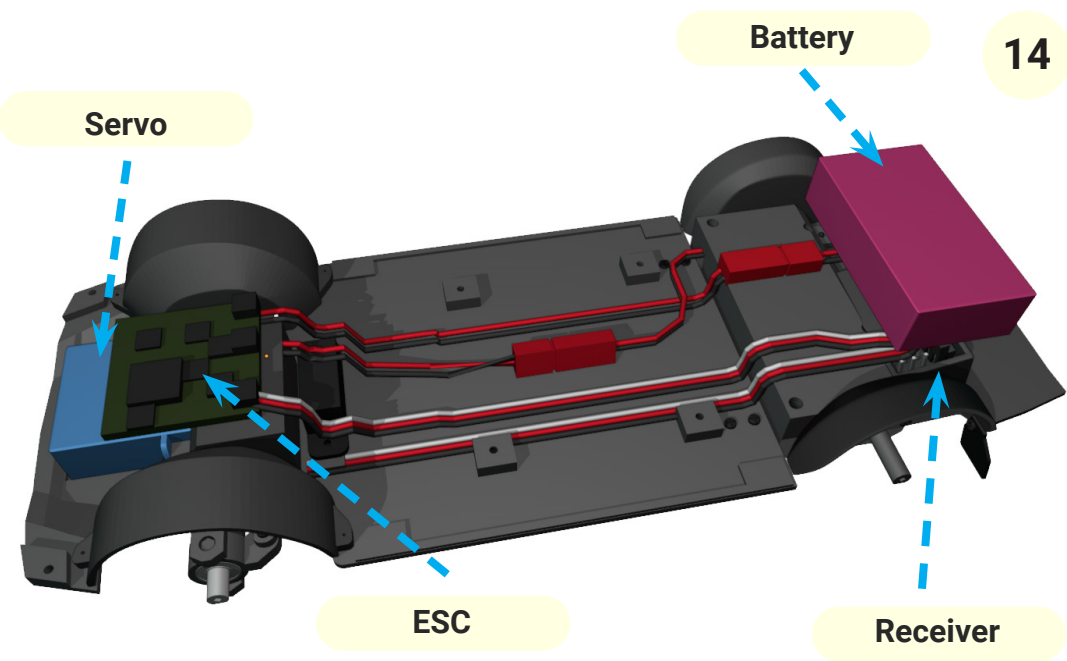
 2x M1.2x3

13



 1x M1.2x4





**Great job!**  
 The chassis is done!  
 Now let's do the body.

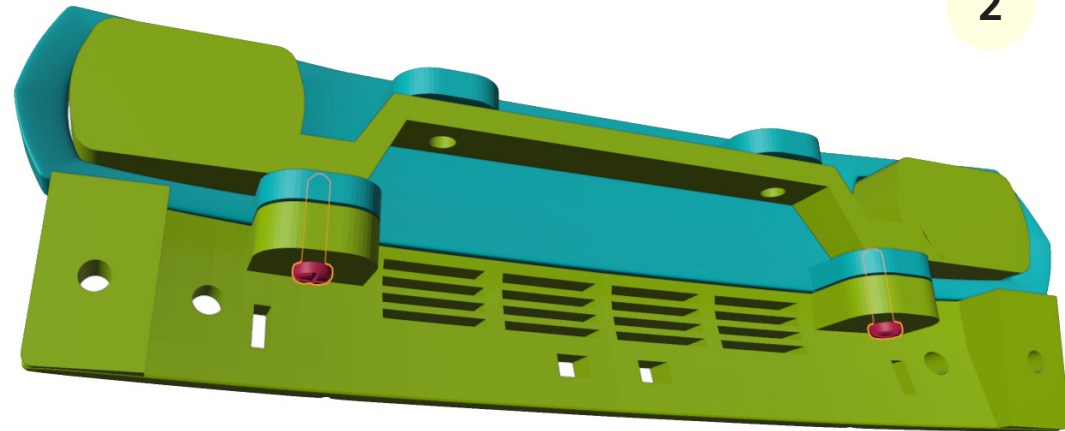
## 2. Body



1



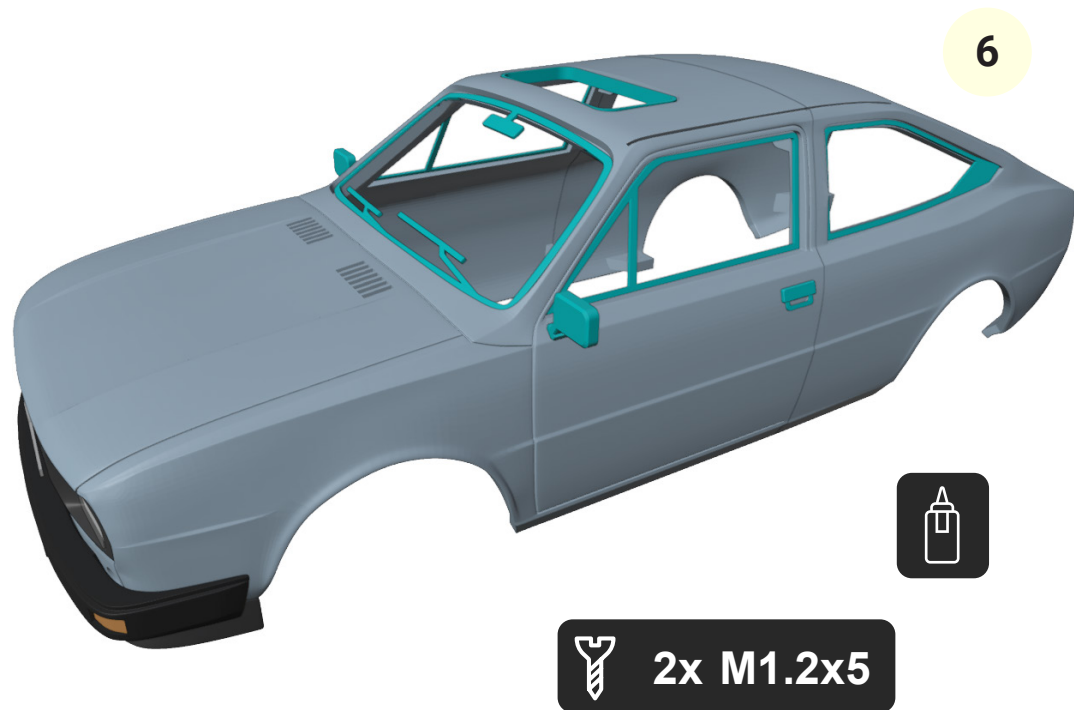
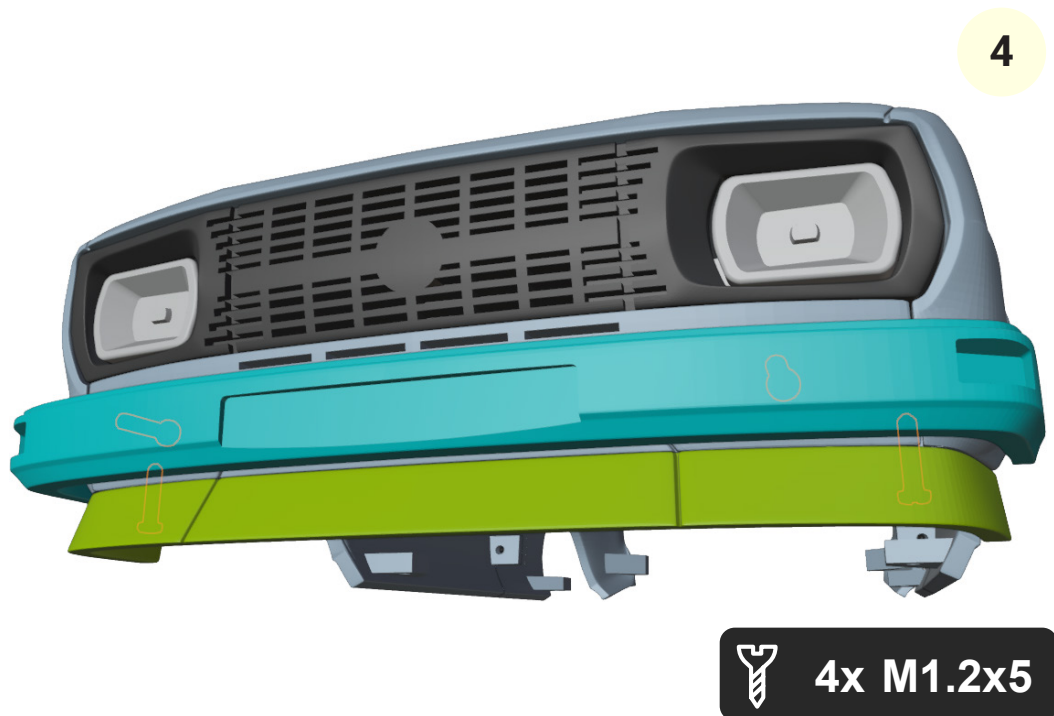
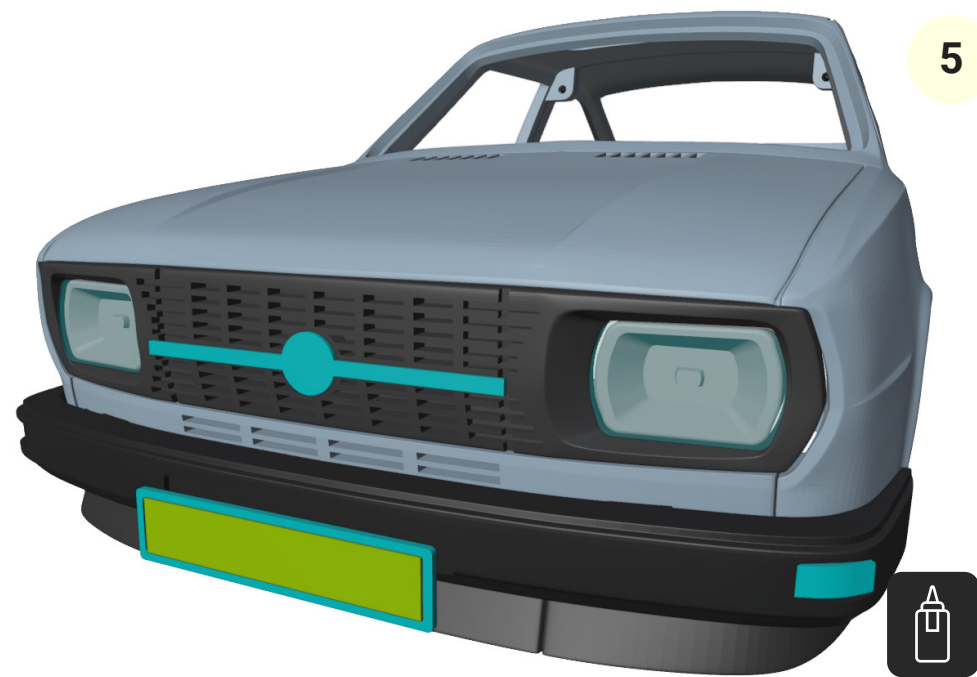
4x M1.2x5



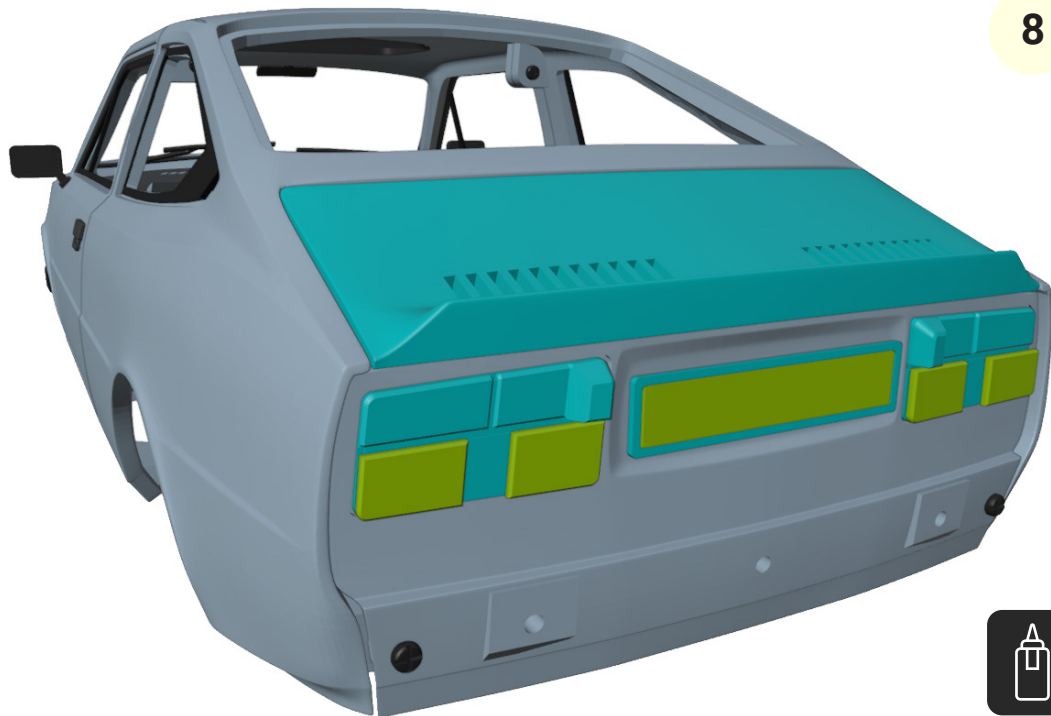
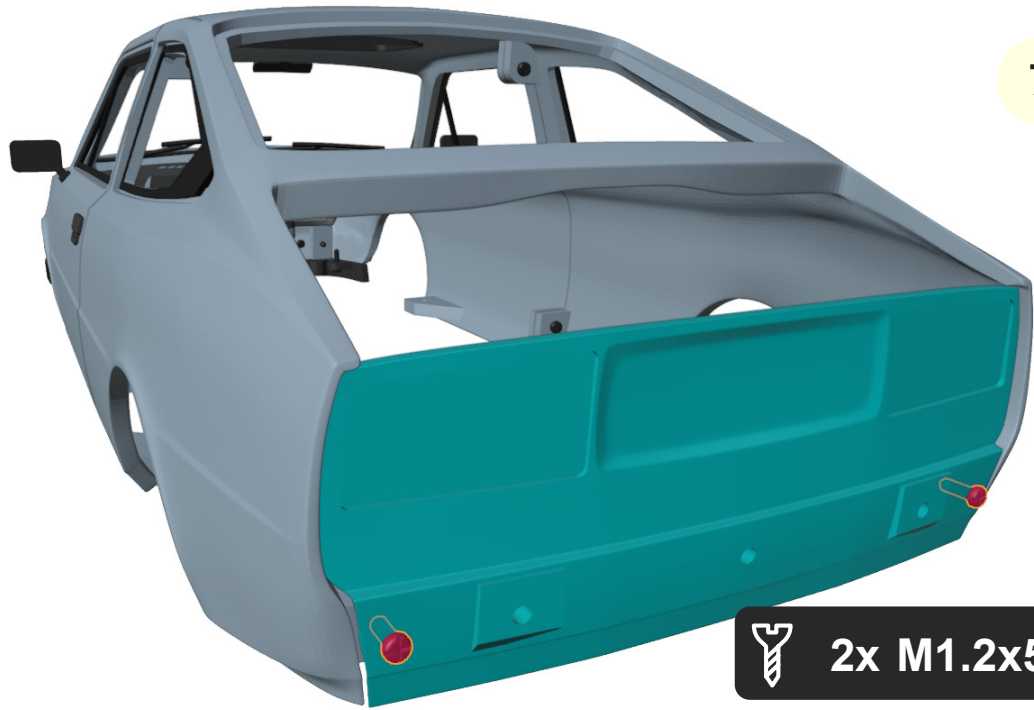
2

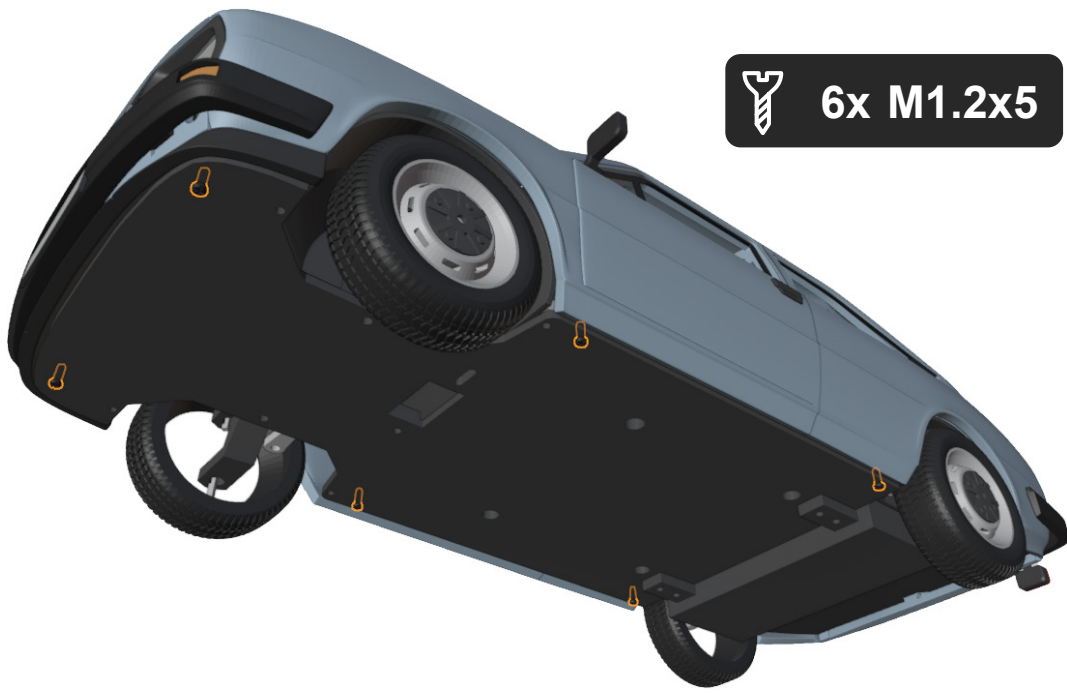


2x M1.2x5









 6x M1.2x5



**Great job!** We are done...

Hope you enjoyed the build and for more models, visit:

**3drcmodels.com** and  
**youtube.com/@3DRcModels**