

Skoda Felicia 1995

1:24 scale, fully 3D printed on FDM



More models at:

www.3drcmodels.com

Non printed parts

Screws

40x M1.4 x 6mm

56x M1.2 x 4mm

6x M1.2 x 3mm

6x M1 x 4mm



Bearings

6x 4x7x2

2x 5x8x2.5



** If you DONT want to build car as RC, you don't need any bearings*

Springs

4x 0.2mm x 15mm x 3mm

** For most cases I recommend to use 0.2mm diameter spring with inner hole 3mm. Length should be 15mm for onroad and 20mm for offroad car.*

RC electronic ** Optional if you want to have it as RC*



2S ESC

** No fancy ESC required.*



2x 6V DC Motor

** cca 300 RPM*



2S Lipo battery

** 250mah is will fit in and is good for 30min drive*



RC Set

** Just basic RC set will do the job*

Prologue

Thank you

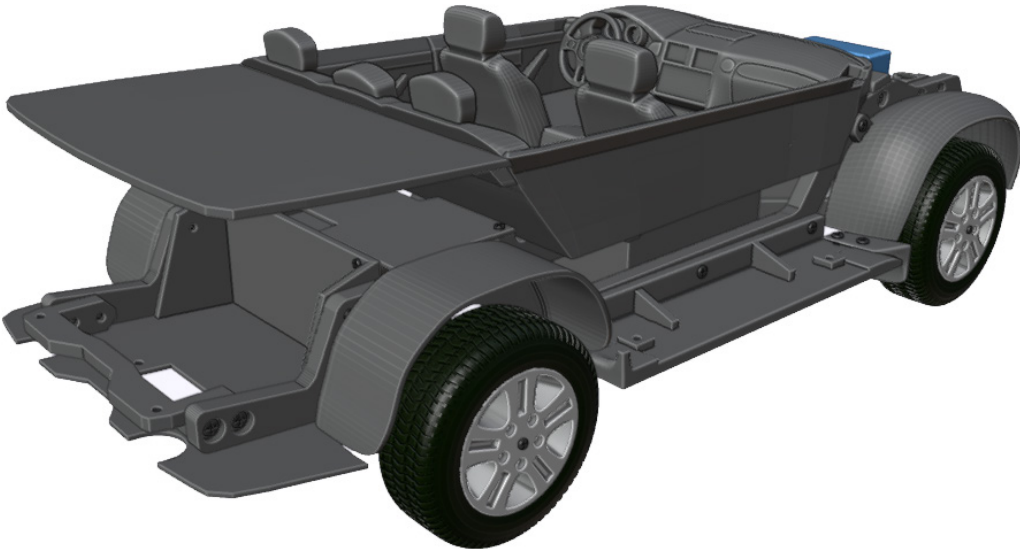
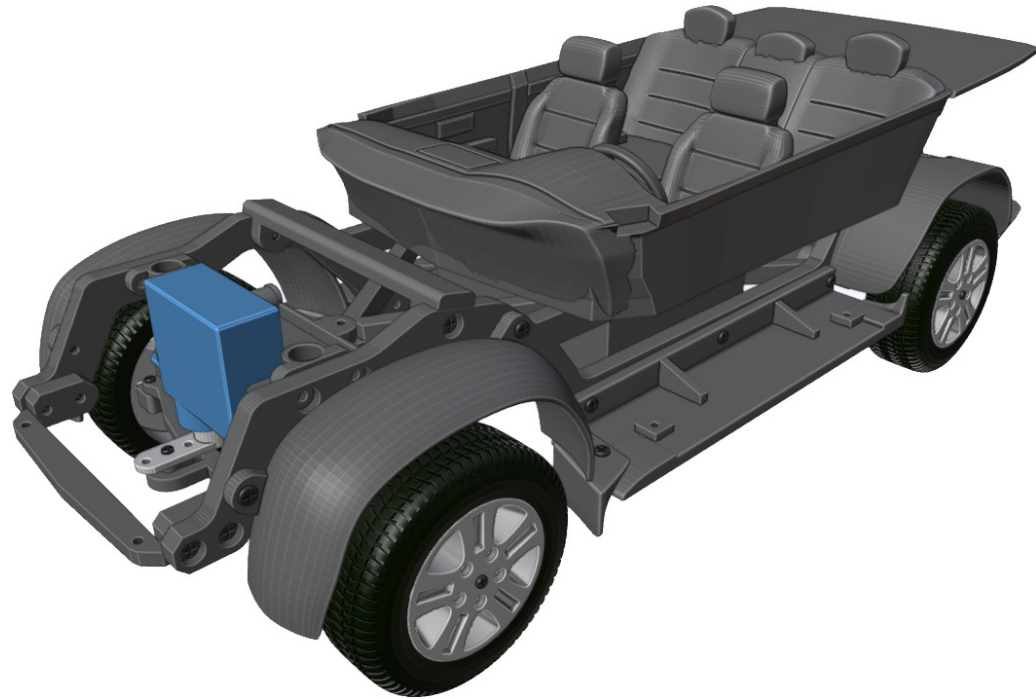
Thank you for supporting my hobby by buying this model. I had great time designing this kit and I hope you will have same building it and playing with it. Thanks small scale, it's very easy, cheap and quick to print and build.

More models can be found at
www.3drcmodels.com

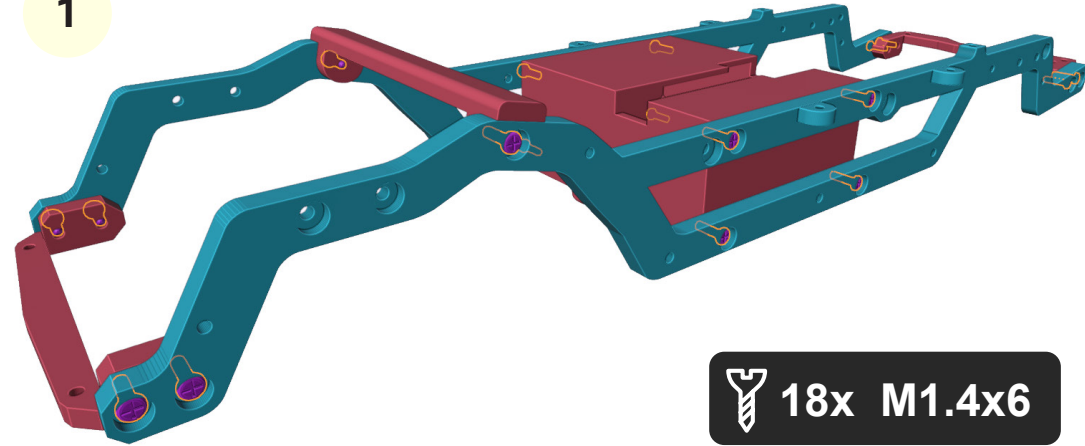
Warning!

Please be careful! Kit contain lots of small parts that can be swallow by infant. Event after build is finished, small parts can be ripped off and can be dangerous. I don't recommend giving this toy to kid younger 3 years.

1. Chassis

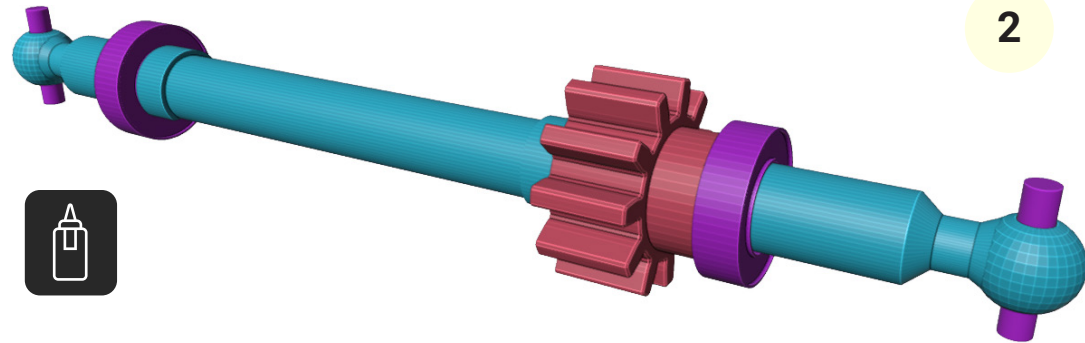


1



18x M1.4x6

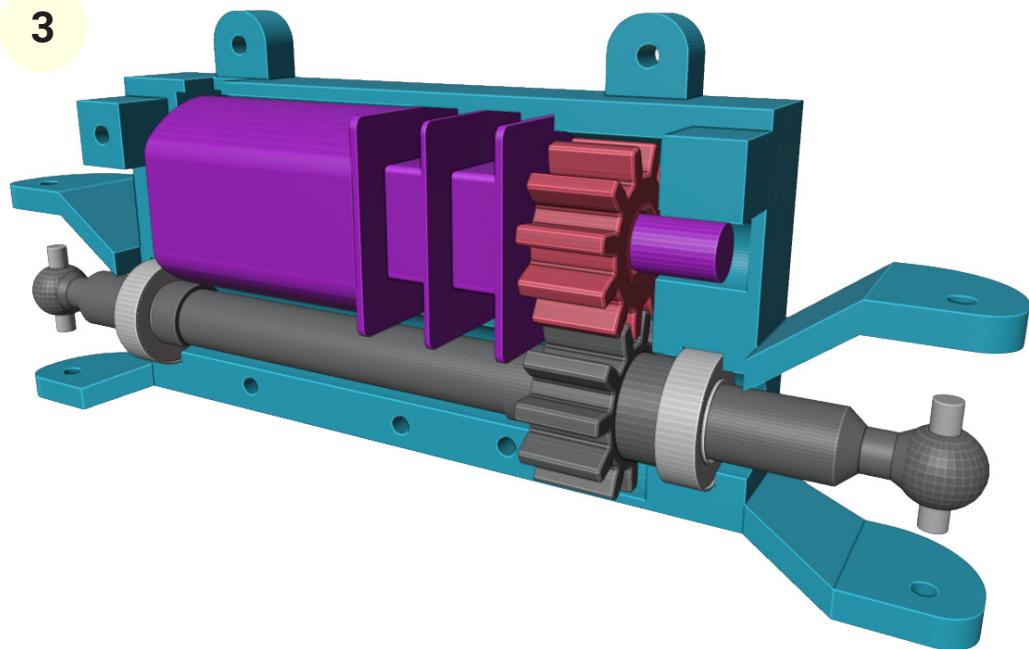
2



i 2x 4x7x2mm bearings and shaft has to fit tightly. I recommend to use glue for gear and pins.

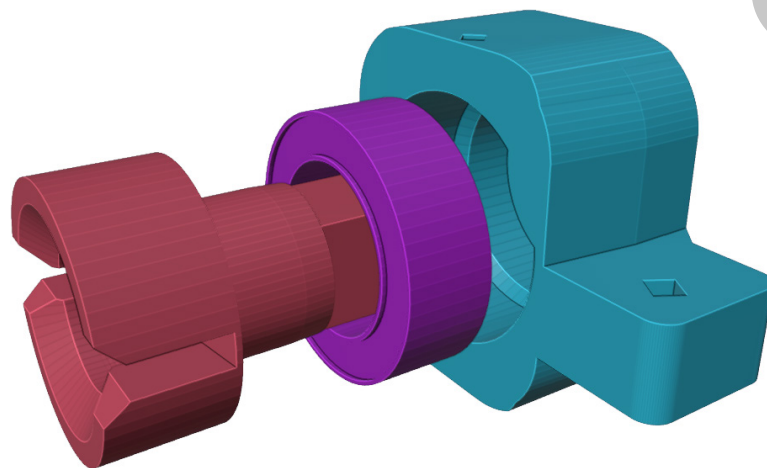
i As pins, I highly recommend using paper clip that has 0.7mm wire. Cut approximately tow 6mm long pins and ideally make some scratches on the side to prevent falling out and use glue.

3



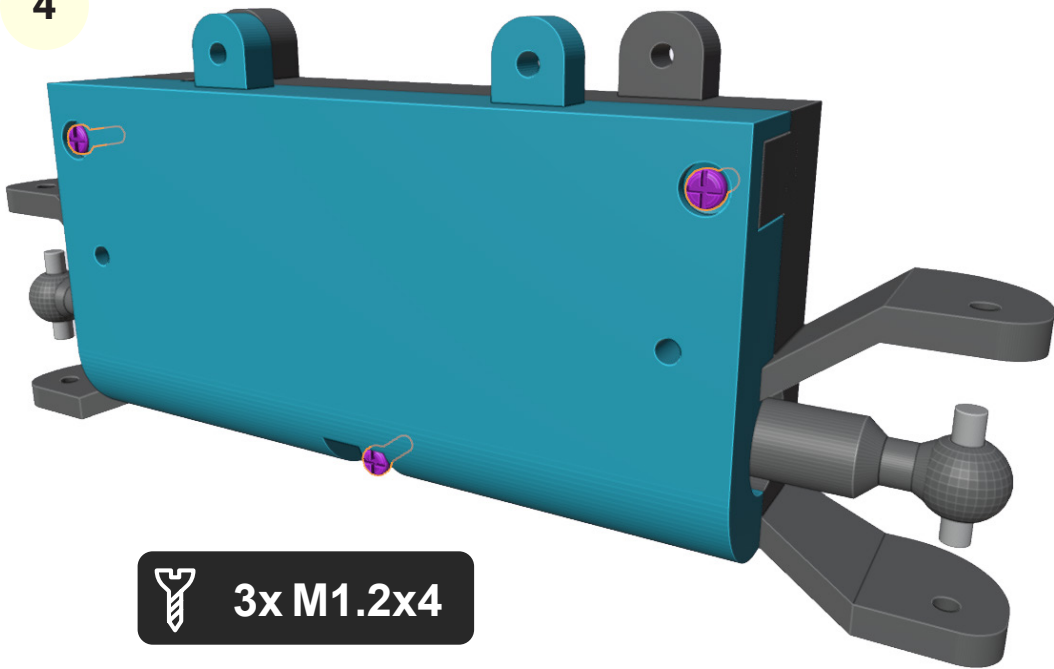
5

2x



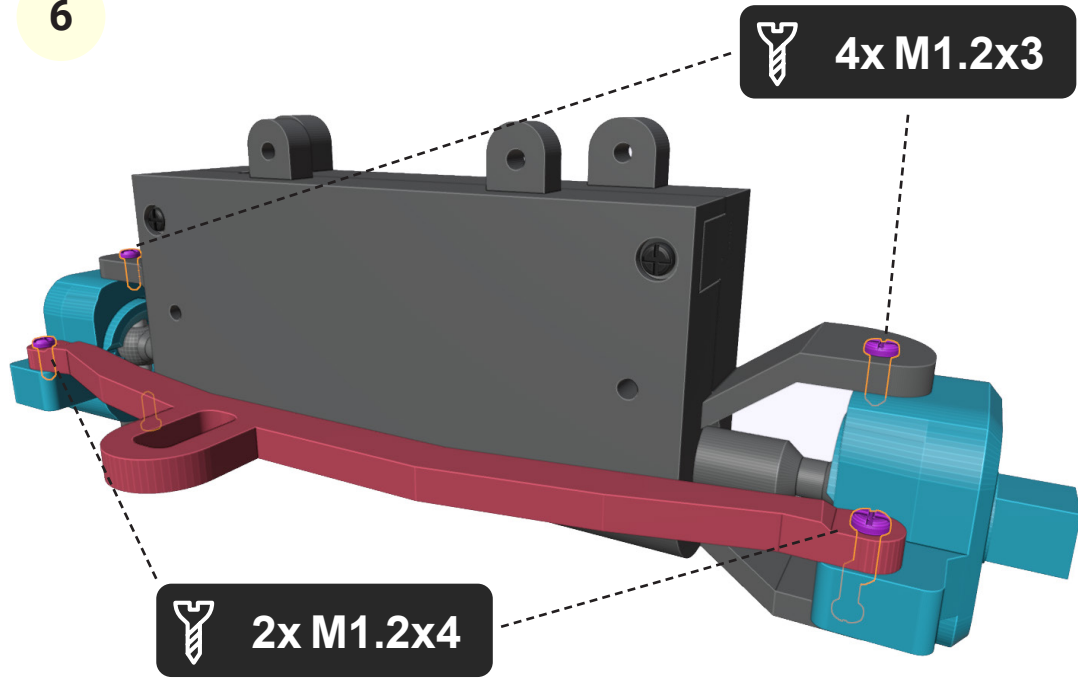
2x 5x8x3mm bearings and shaft has to fit very tightly.

4



3x M1.2x4

6



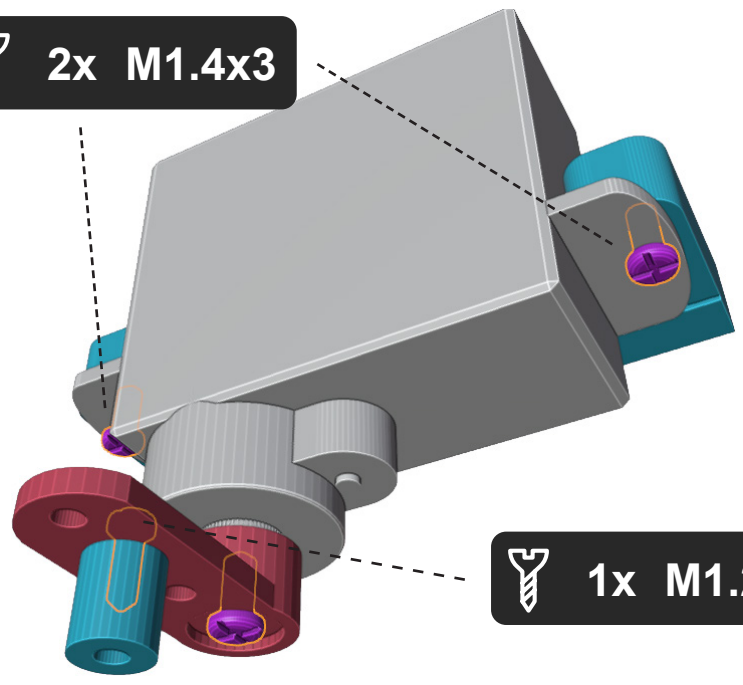
4x M1.2x3



2x M1.2x4

7

2x M1.4x3

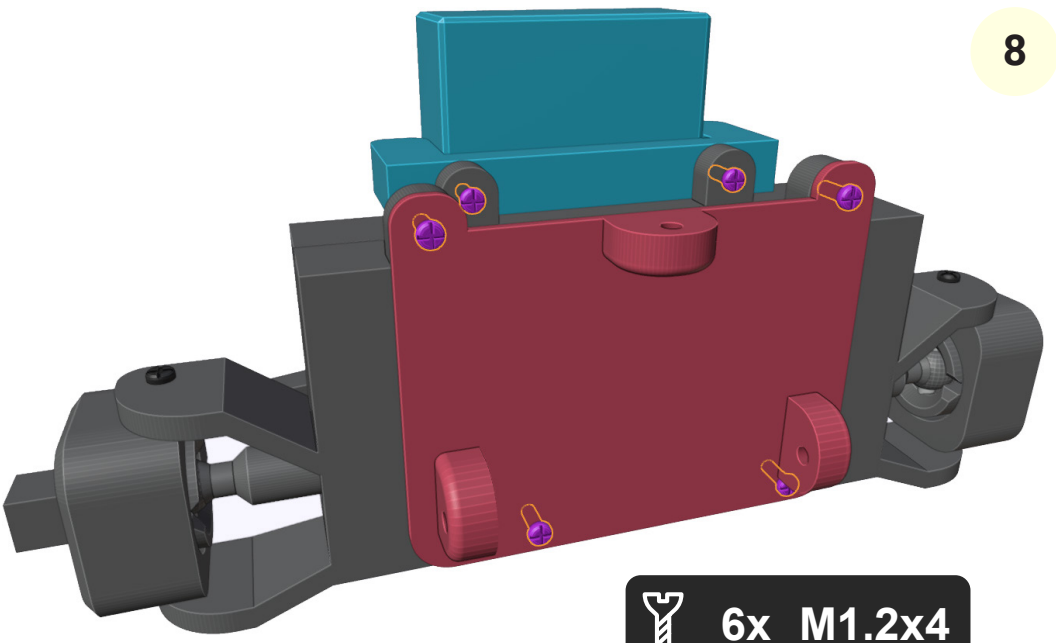
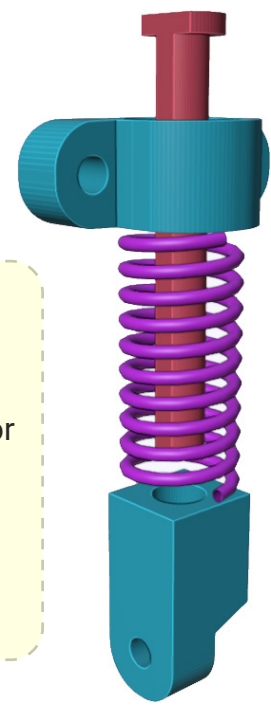


1x M1.2x4

4x

8

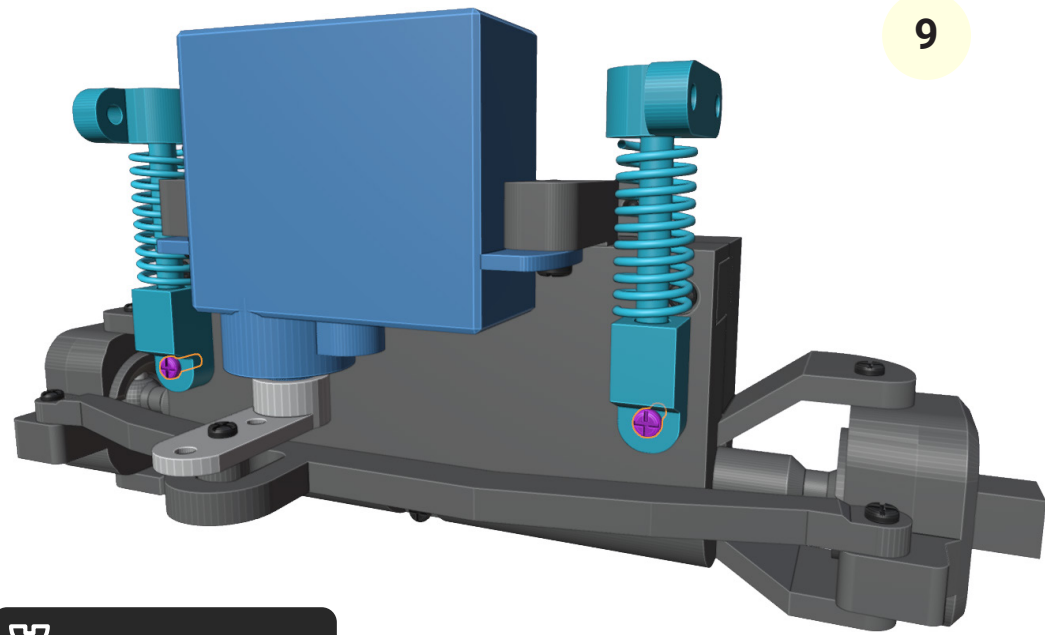
i Depending on your car weight. Choose 0.2mm or 0.3mm spring. Also depends on car setup. For off-road setup, choose 20mm spring or 15mm spring for default setup. Shock absorbers should be very soft.



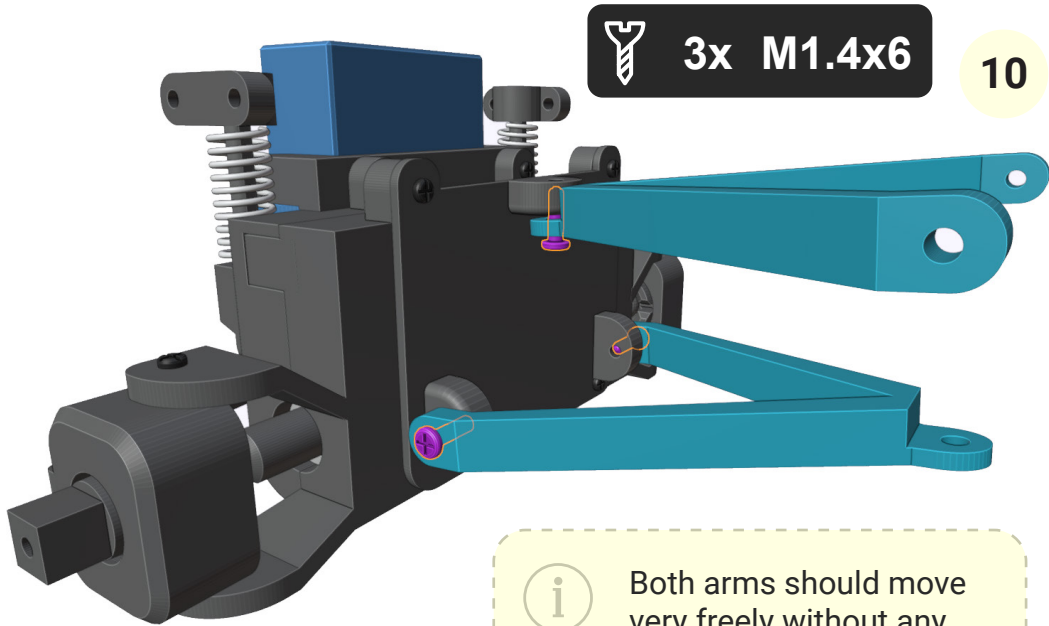
8

6x M1.2x4

9



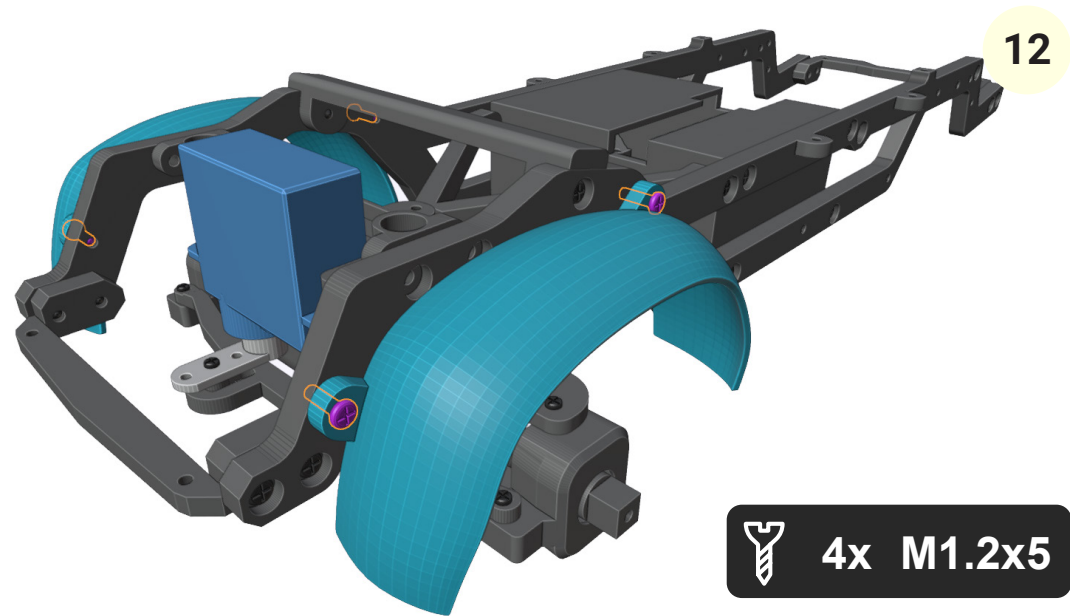
2x M1.2x4



3x M1.4x6

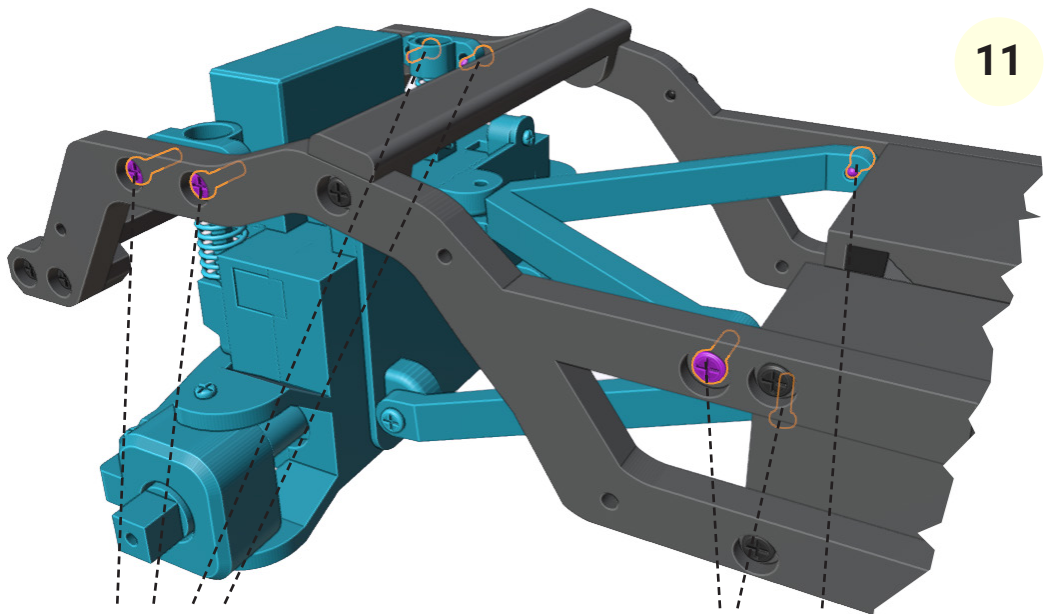
10

i Both arms should move very freely without any friction!



4x M1.2x5

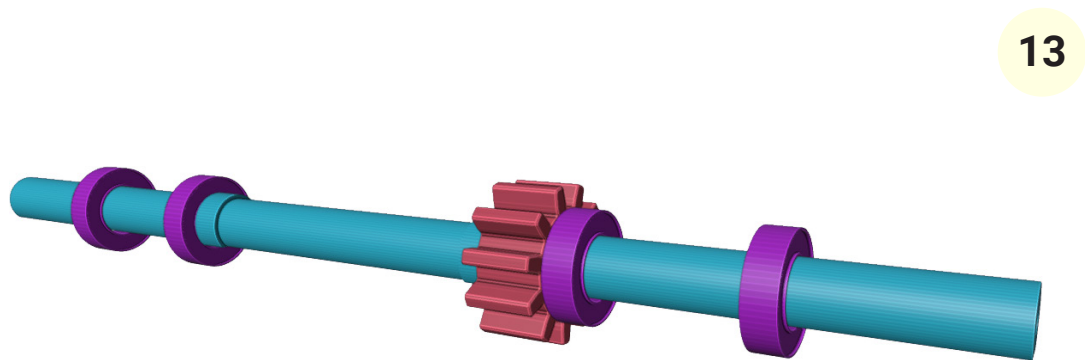
12



4x M1.2x4

3x M1.4x5

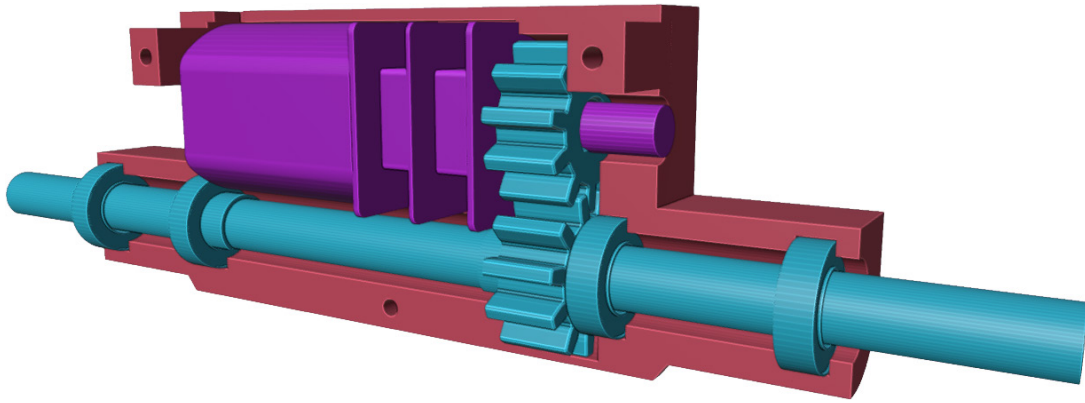
11



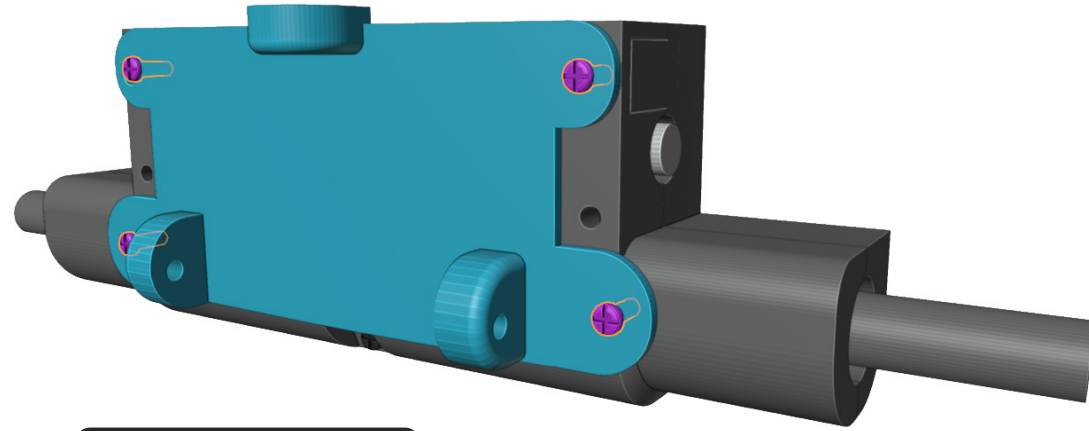
i 4x 4x7x2mm bearings and shaft has to fit tightly. I recommend to use glue for gear.

13

14

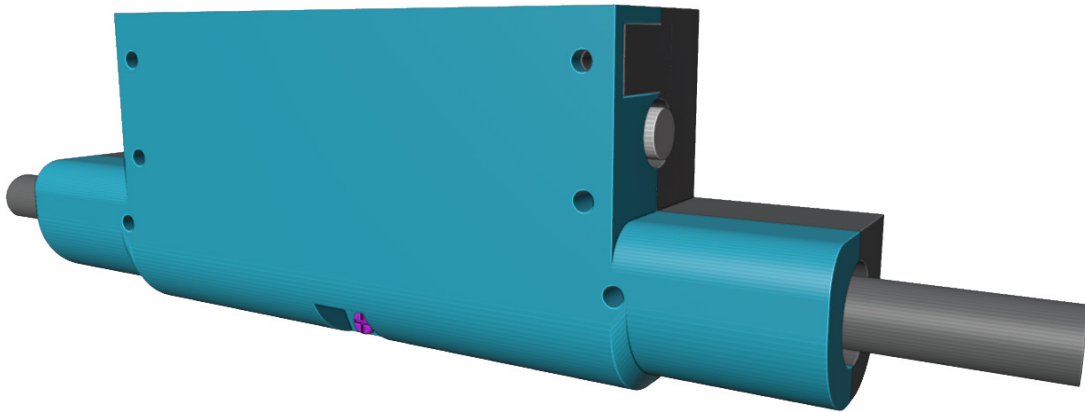


16



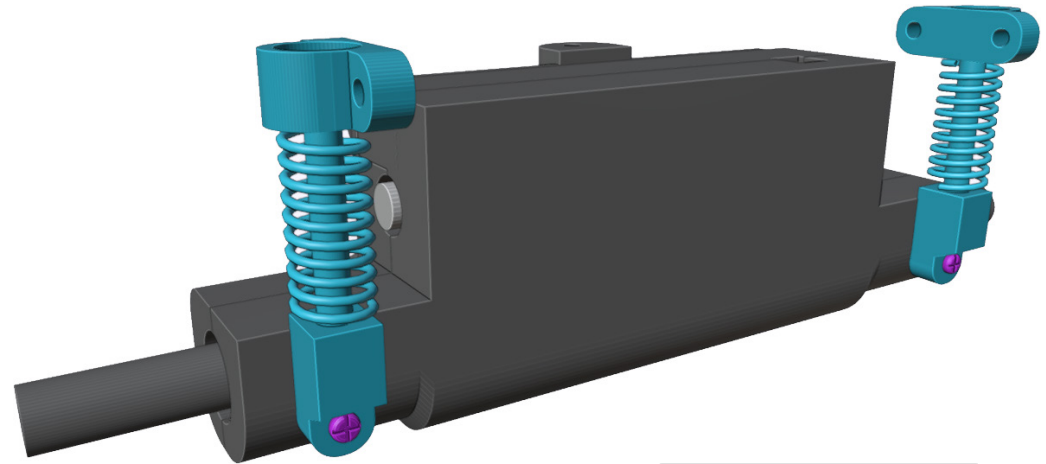
4x M1.2x4

15



1x M1.2x4

17

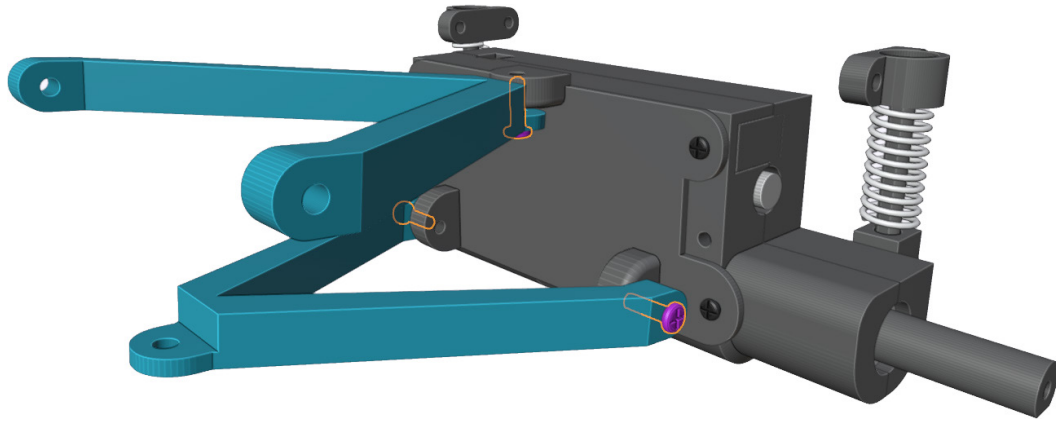


2x M1.2x4

17

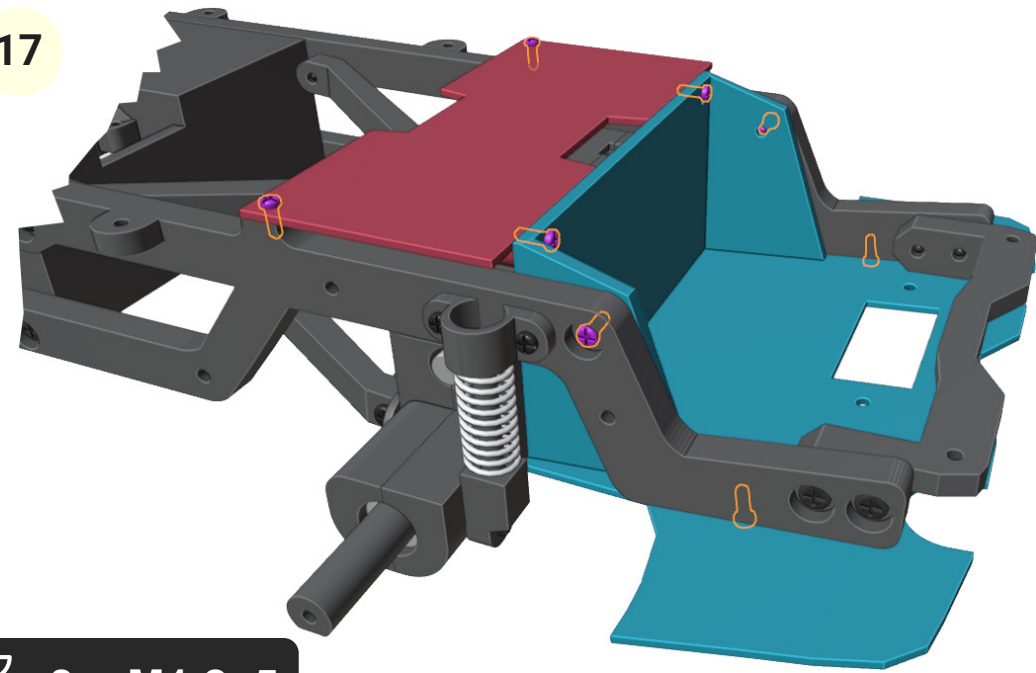


Both arms should move very freely without any friction!



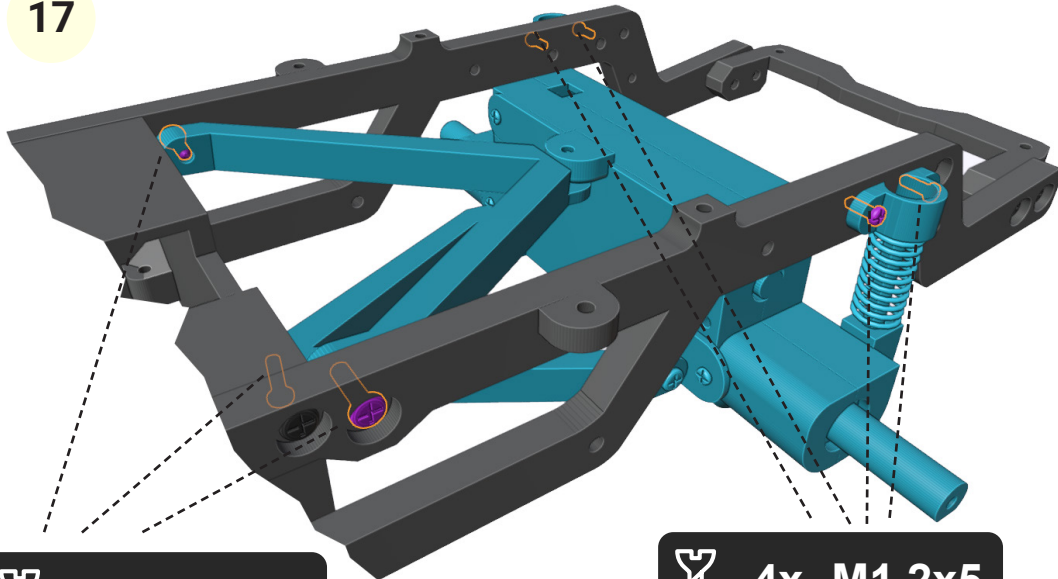
3x M1.4x6

17



8x M1.2x5

17



3x M1.4x6

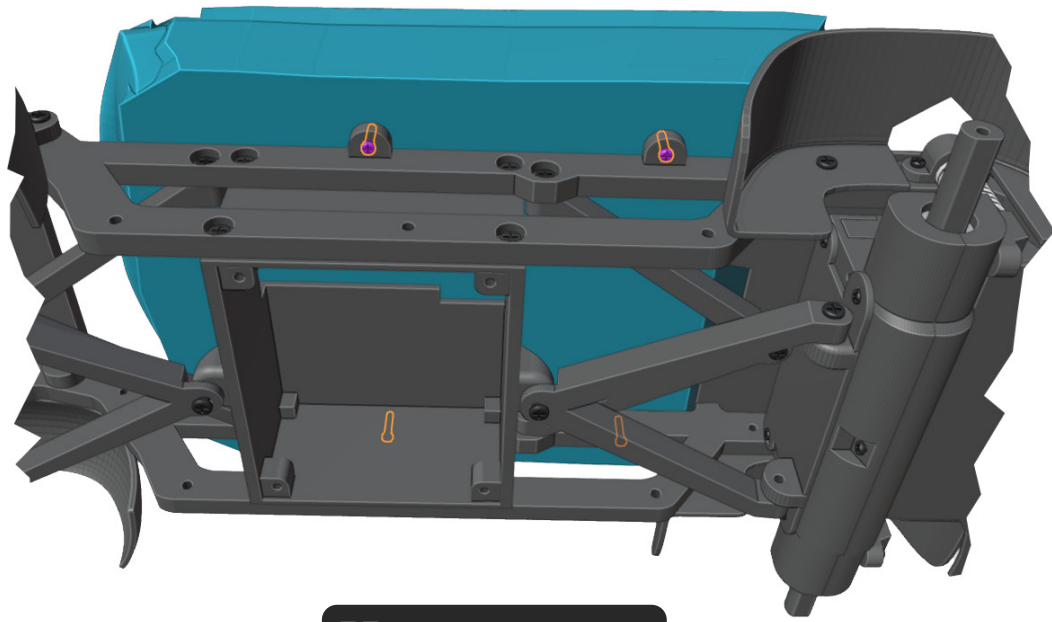


4x M1.2x5

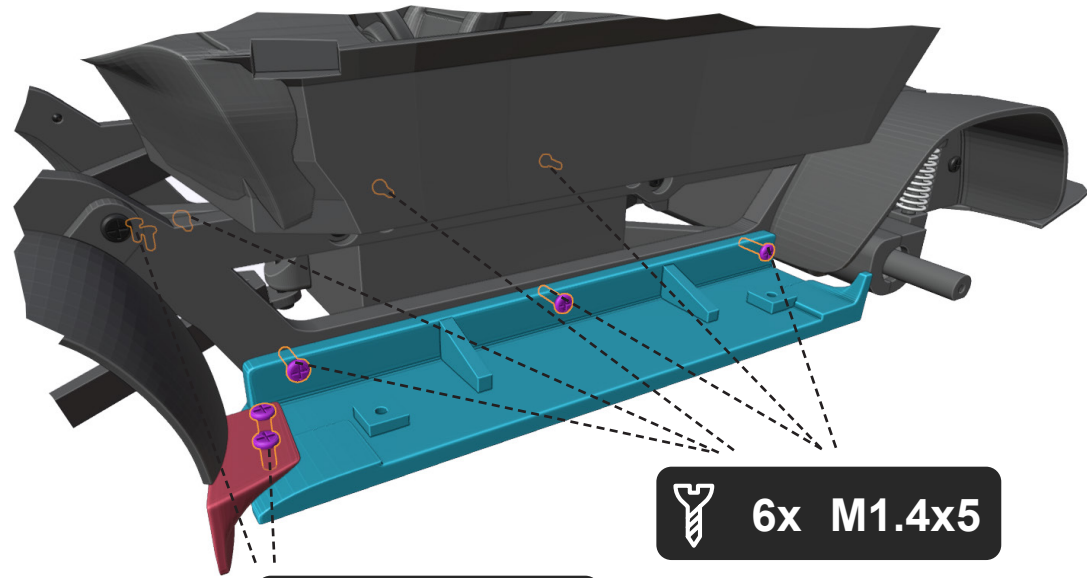
17



4x M1.2x4

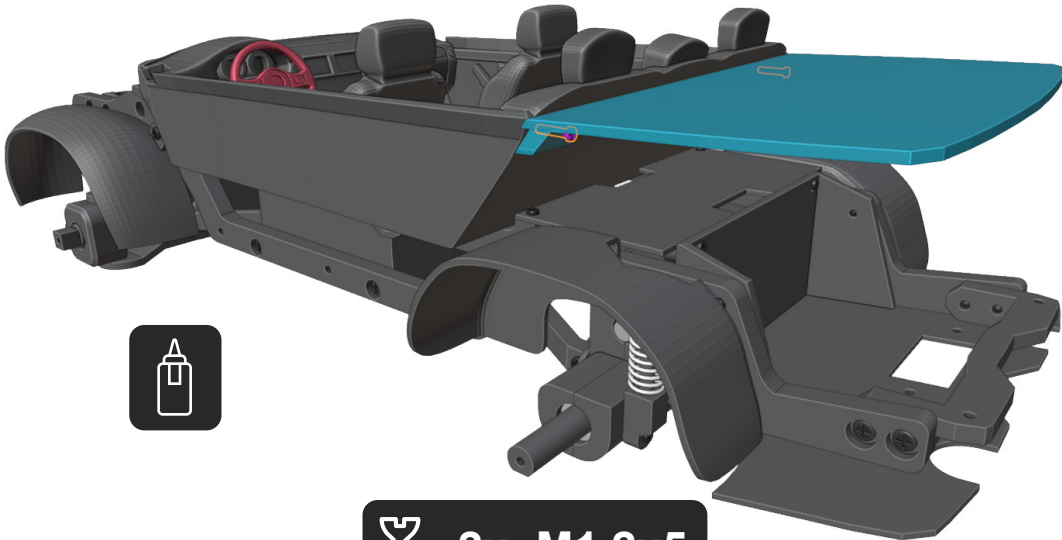


 4x M1.2x5

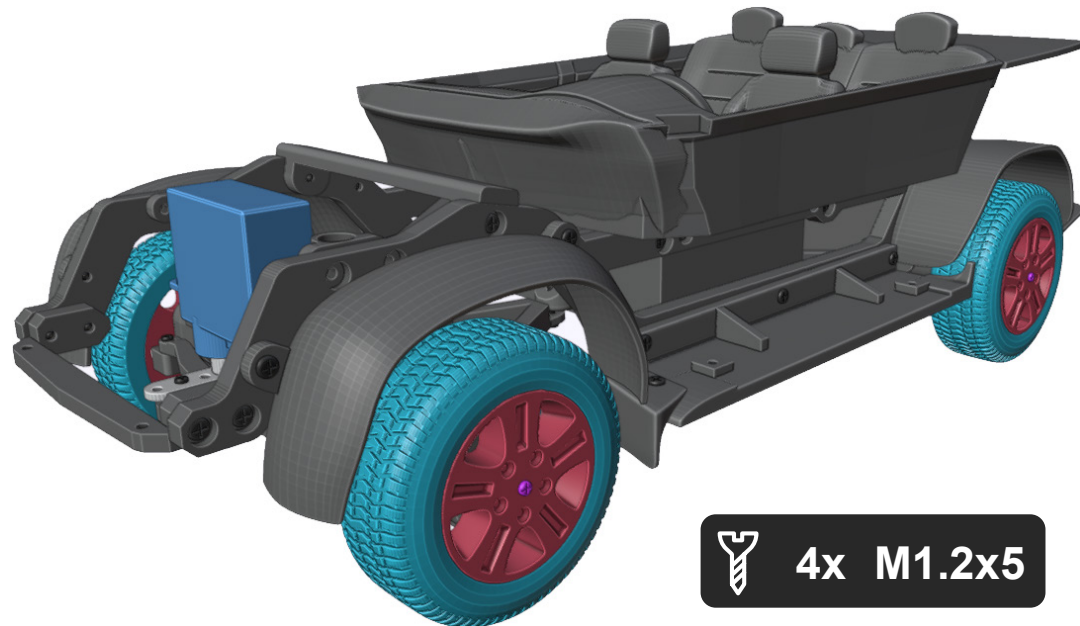


 4x M1.2x3

 6x M1.4x5



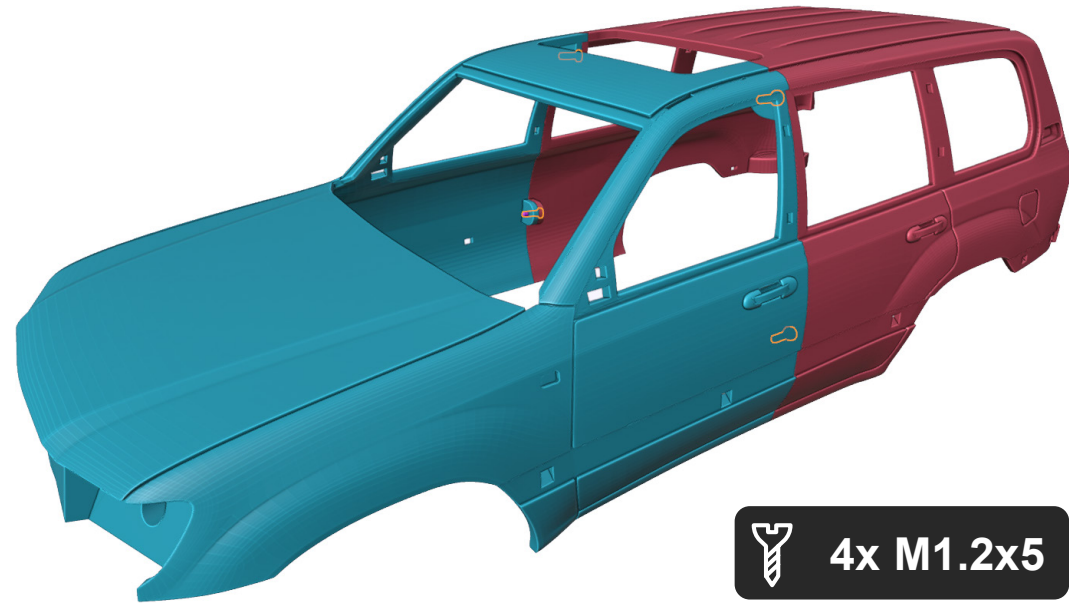
 2x M1.2x5



 4x M1.2x5

2. Body

1

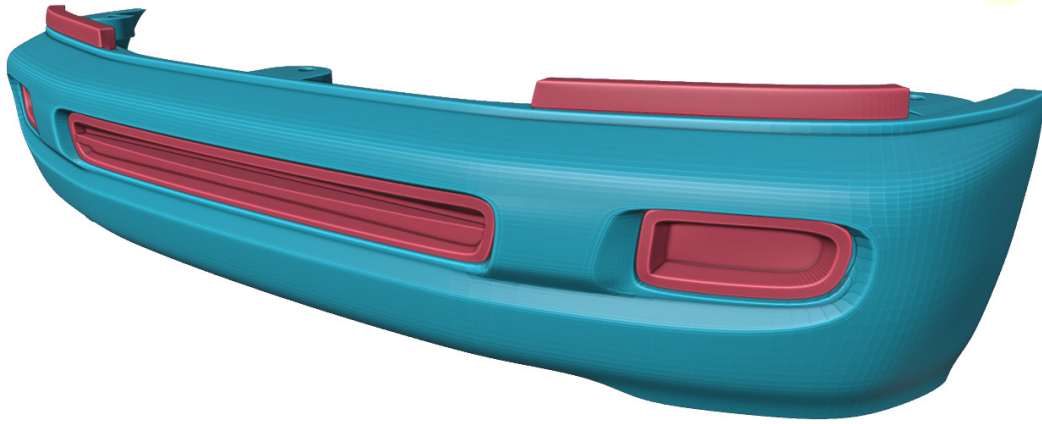


4x M1.2x5

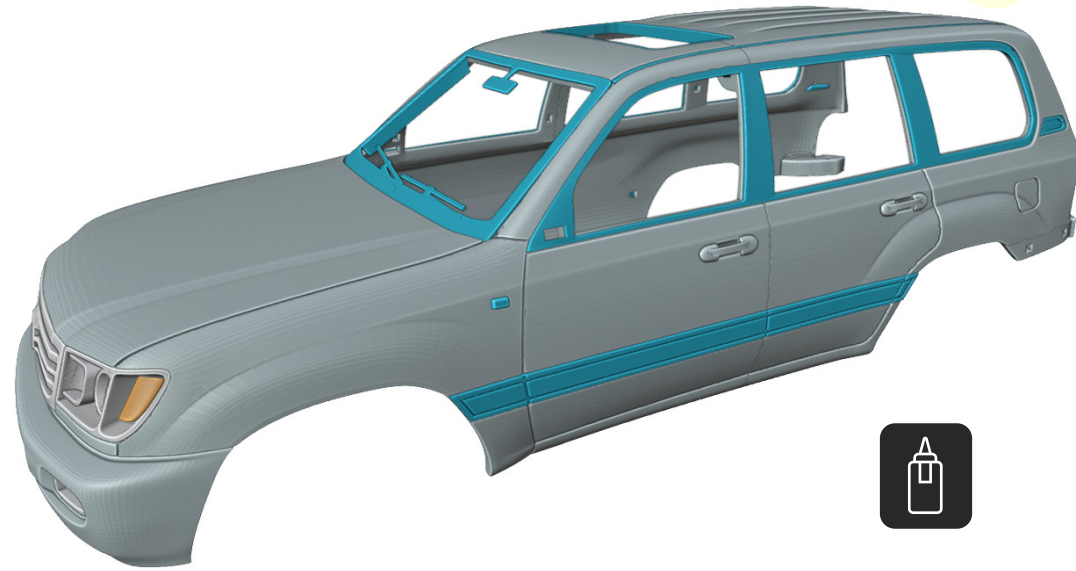


3x M1.2x5

3



5



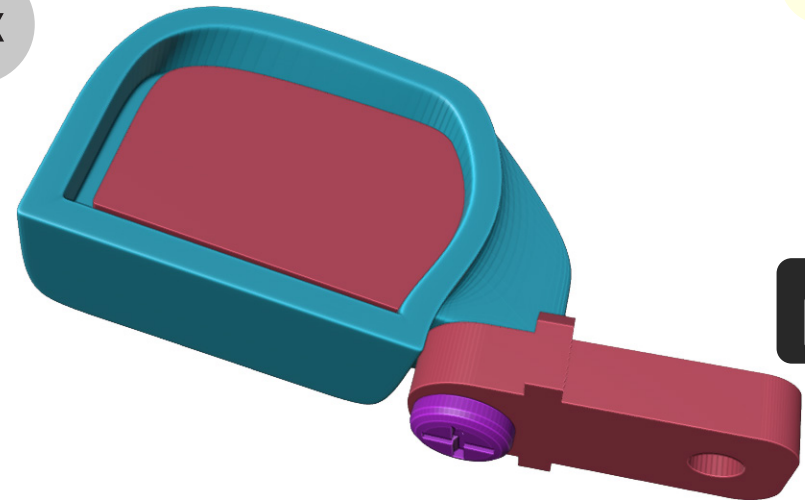
4



 3x M1.2x4

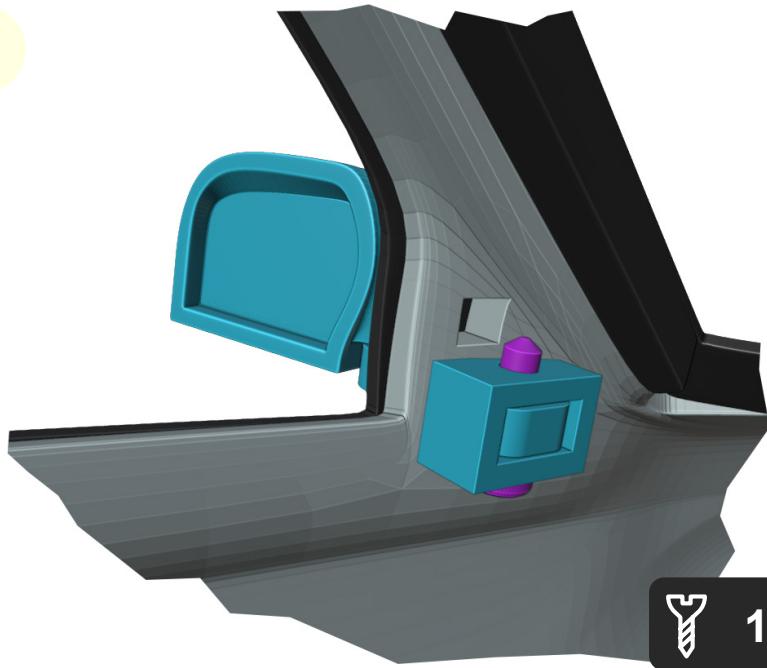
6

2x



 1x M1.2x4

7

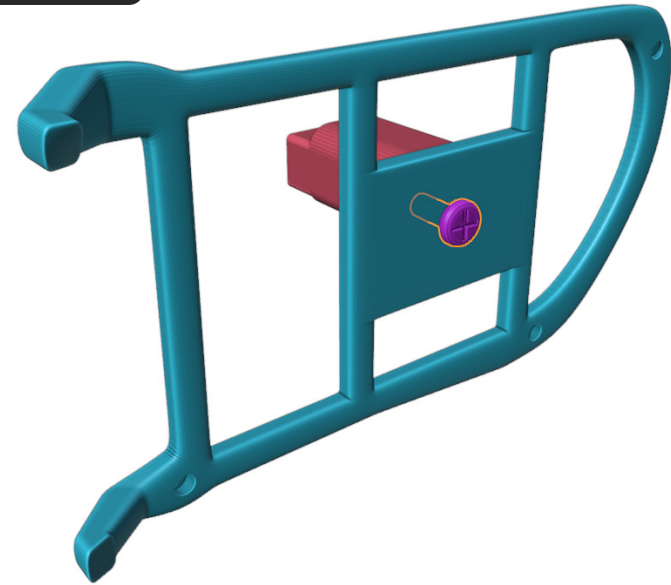


2x

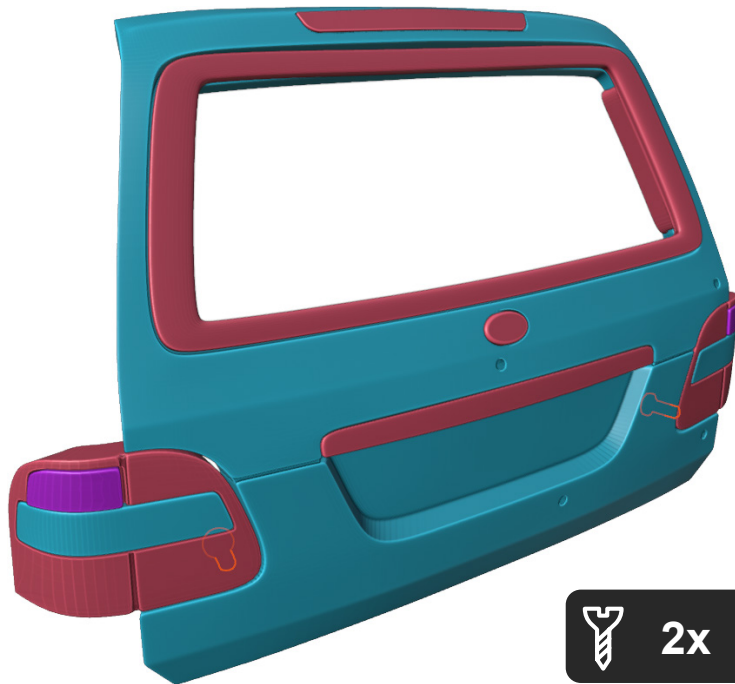
 1x M1.2x4

 1x M1.2x4

9

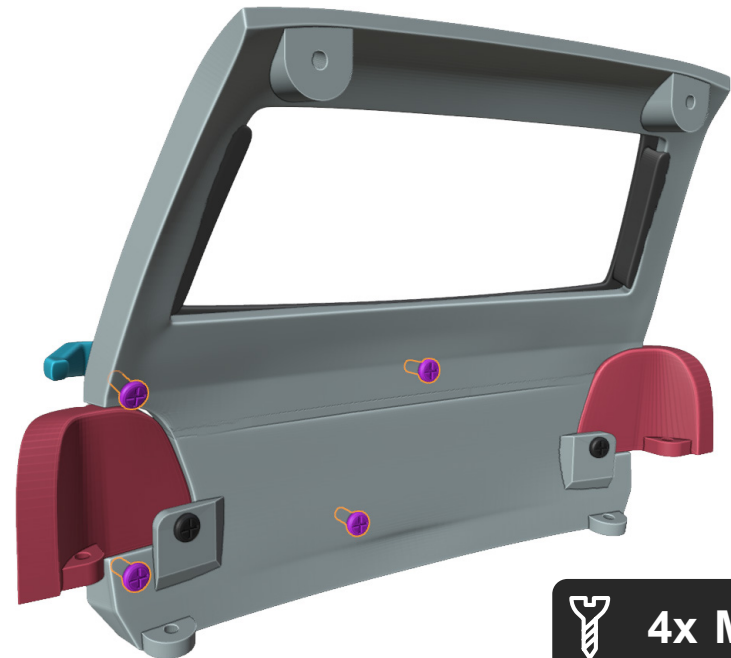


8



 2x M1.2x4

10

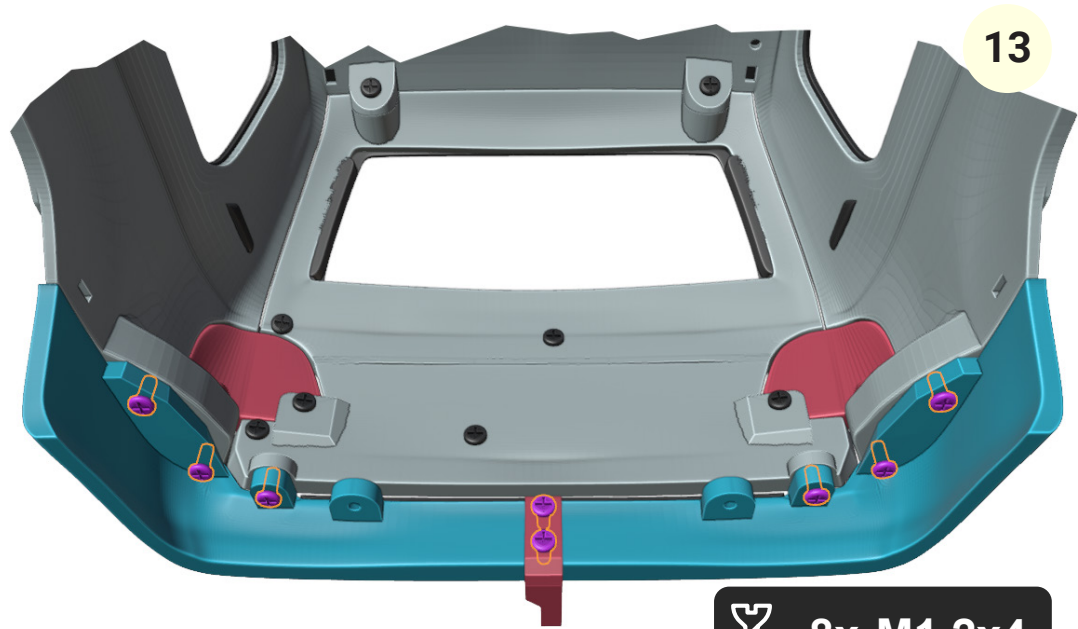


 4x M1.2x3



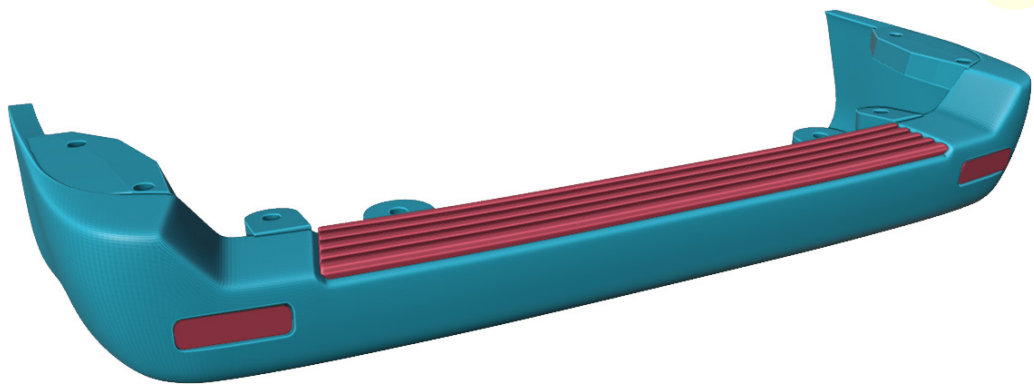
11

 4x M1.2x3



13

 8x M1.2x4



12



14

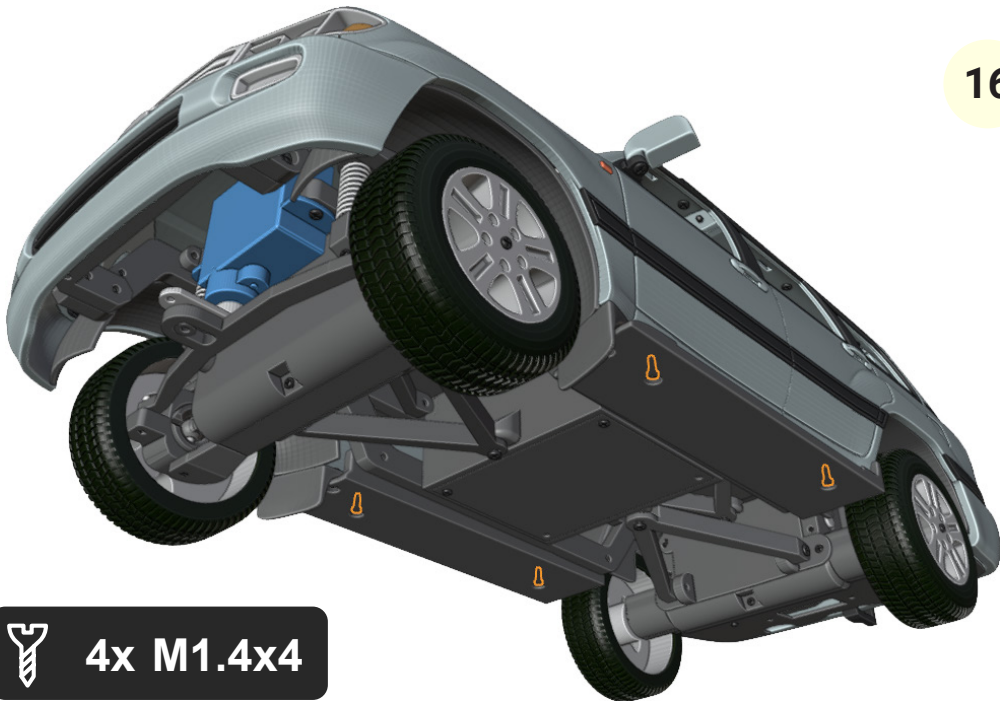
 1x M1.2x4

15



4x M1x4

16



4x M1.4x4



Great job!

We are done...

For more models, visit:

www.3drcmodels.com