

Skoda 120L

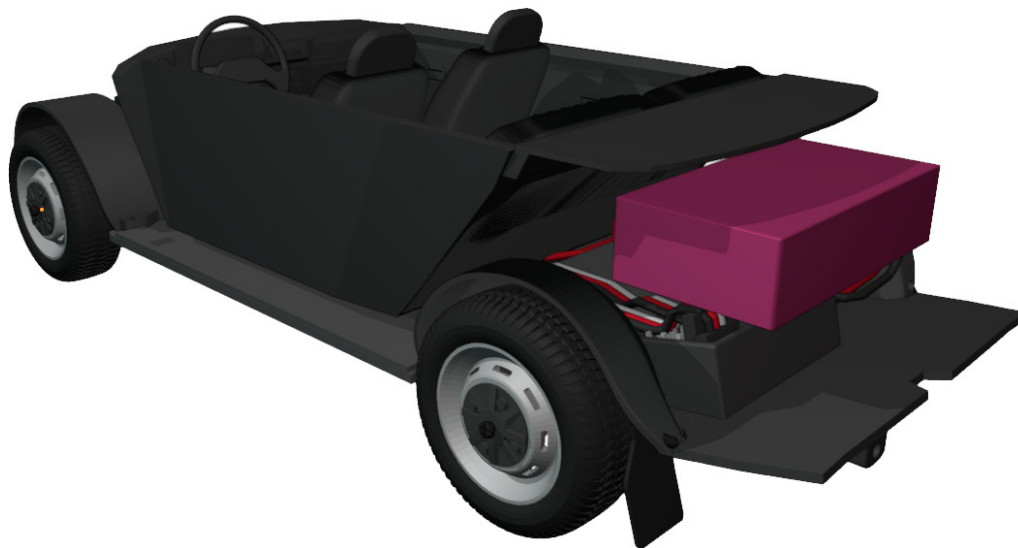
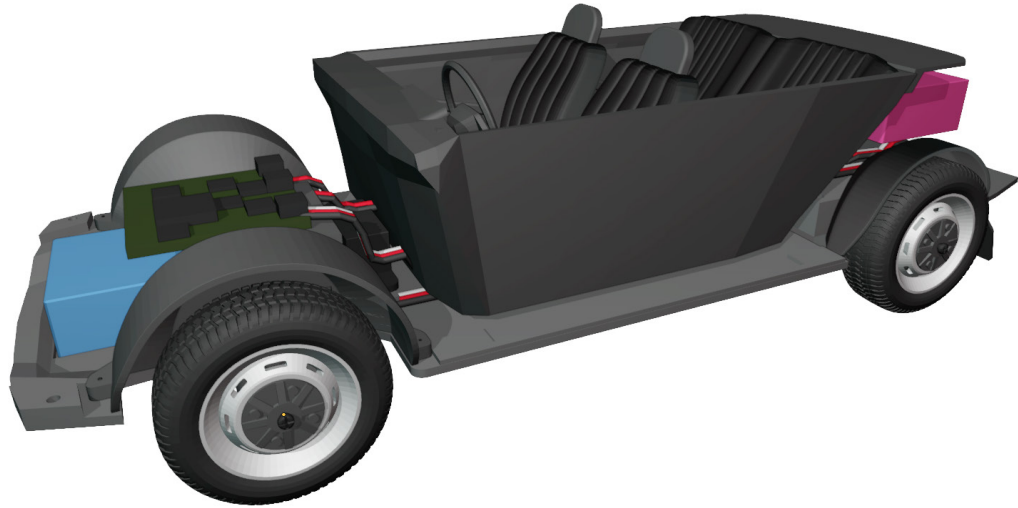
1:24 scale, fully 3D printed on FDM



More models at:

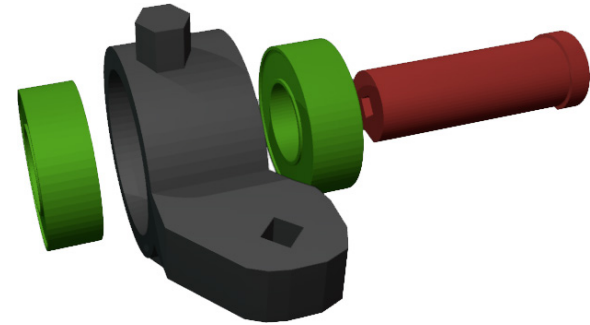
www.3drcmodels.com

1. Chassis

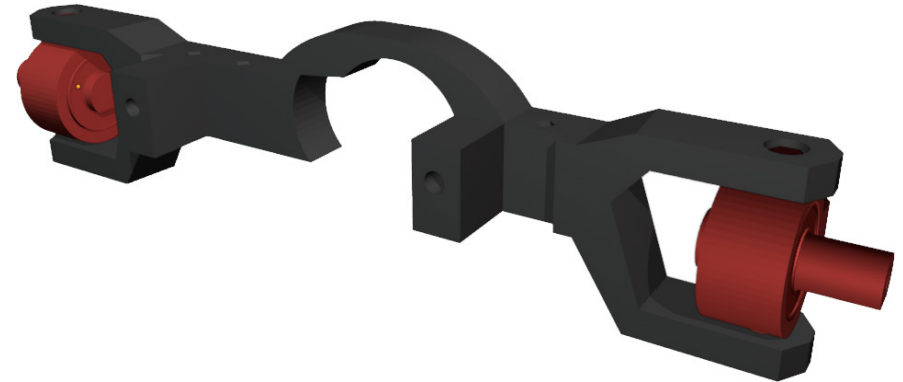


4x 3x6x2mm bearings and shaft has to fit tightly

1



2

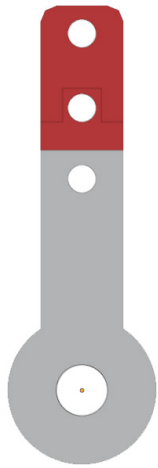


3

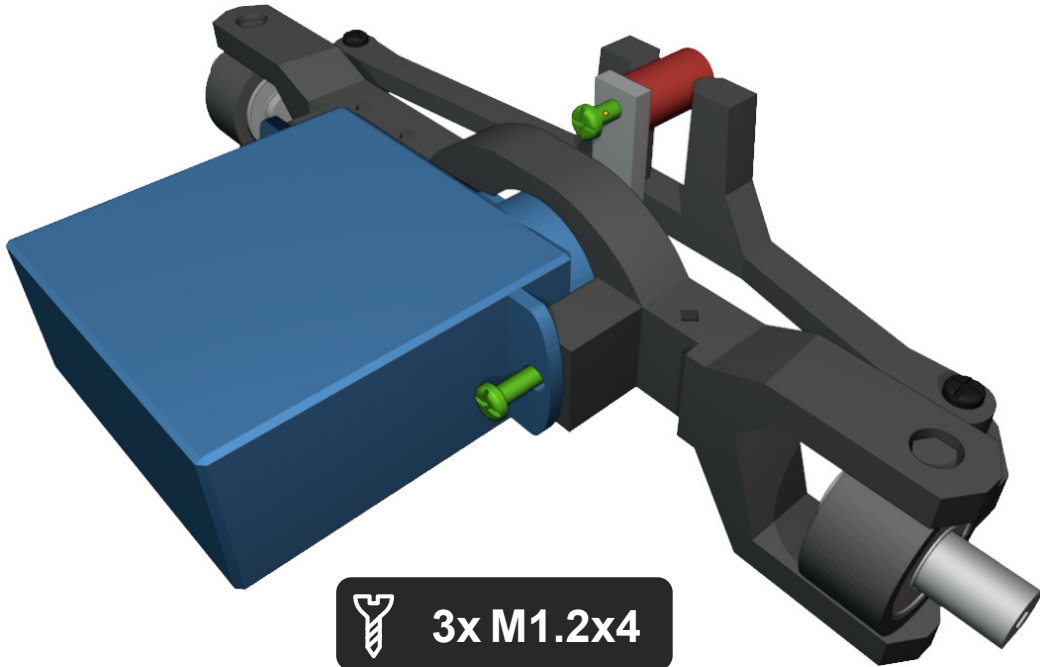


2x M1.2x4

4



You need to cut red part of steering pin so it fits under cover.

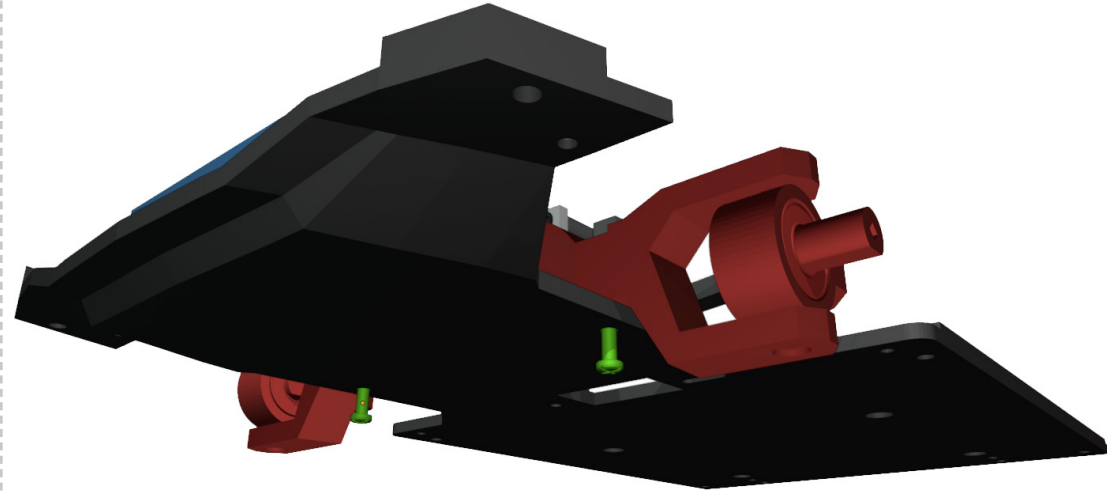


3x M1.2x4

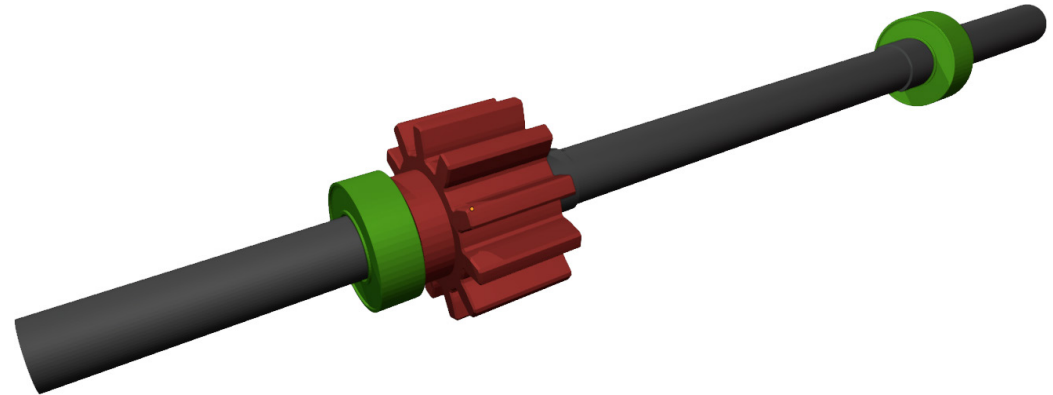
5



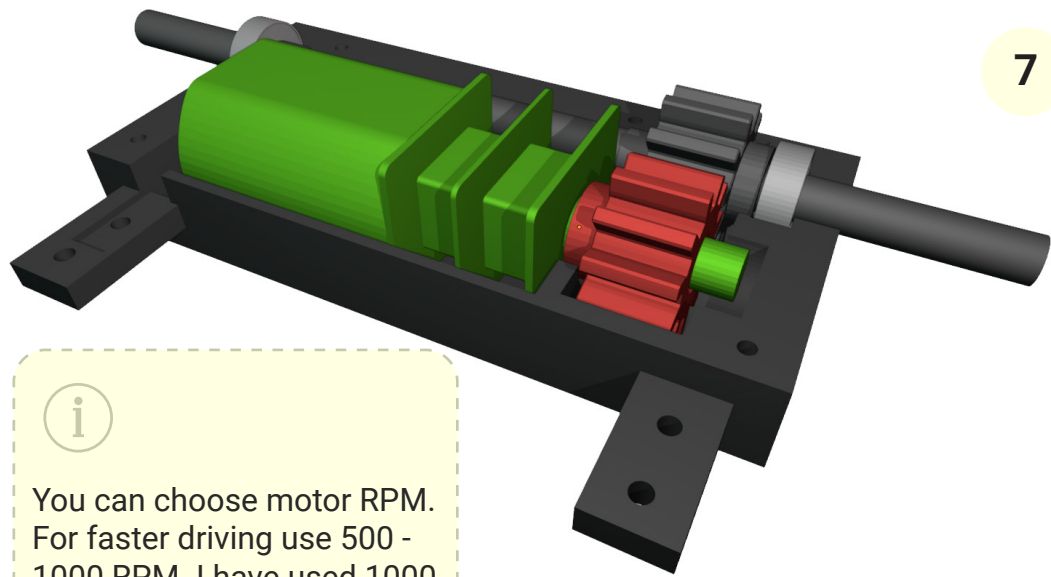
2x M1.2x5



6

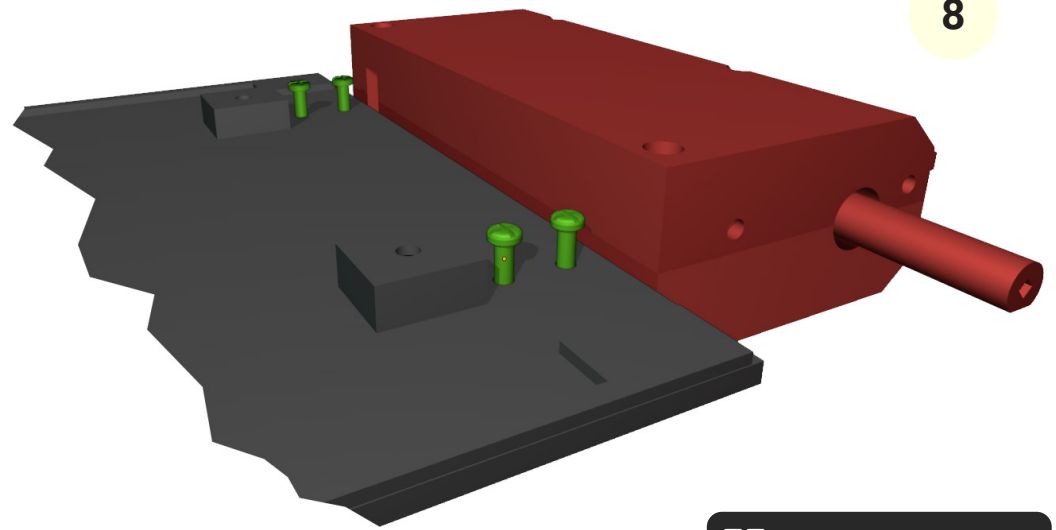


4x 3x6x2mm bearings and gear has to fit tightly



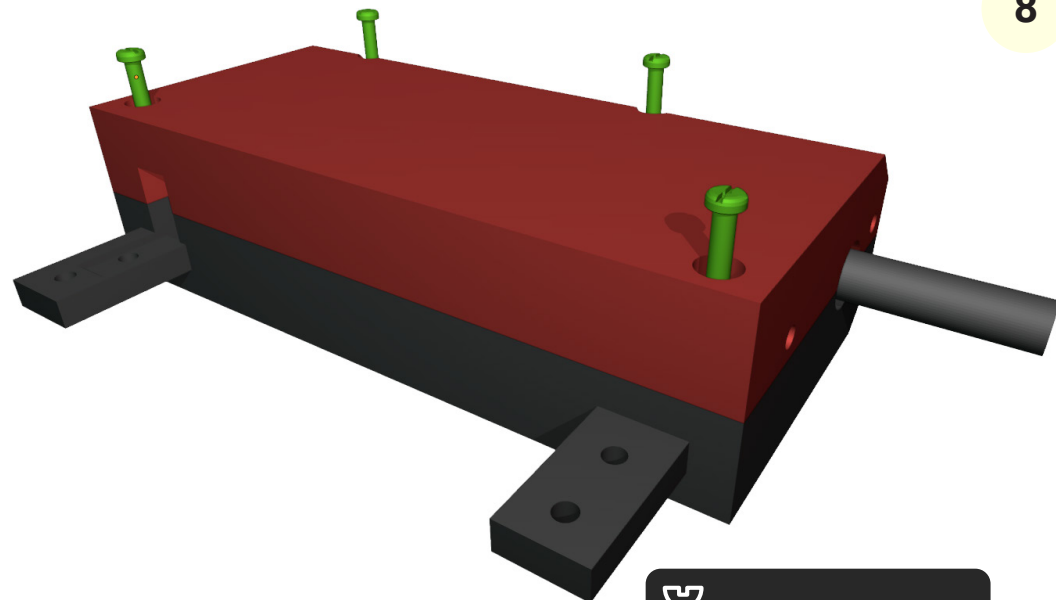
7

i
 You can choose motor RPM.
 For faster driving use 500 -
 1000 RPM. I have used 1000
 RPM.



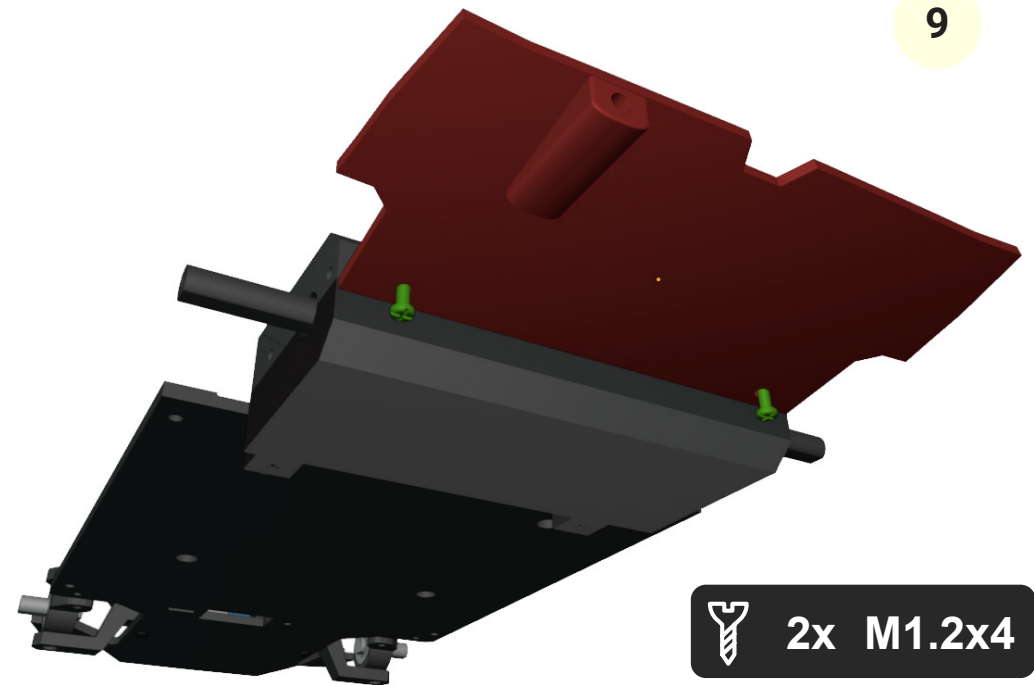
8

4x M1.2x4



8

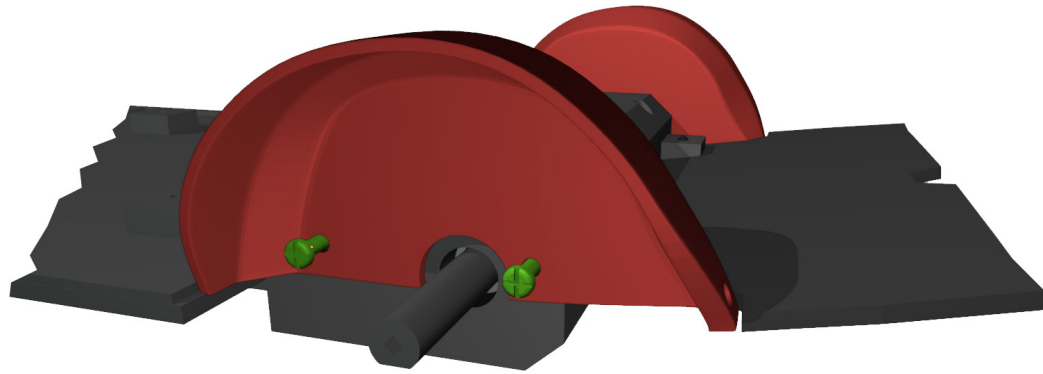
4x M1x4



9

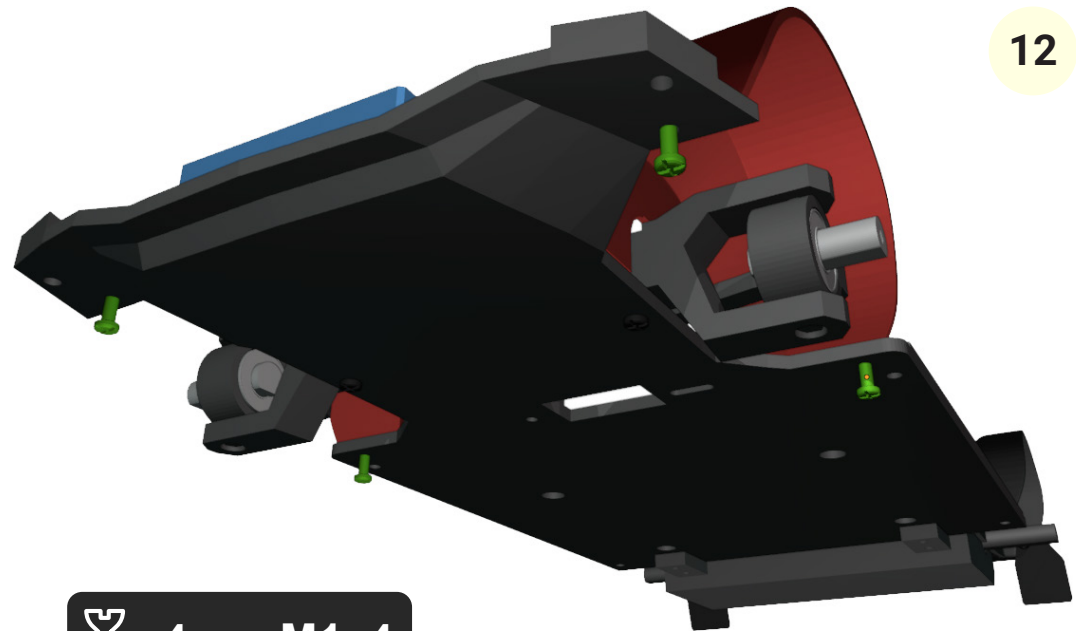
2x M1.2x4

10



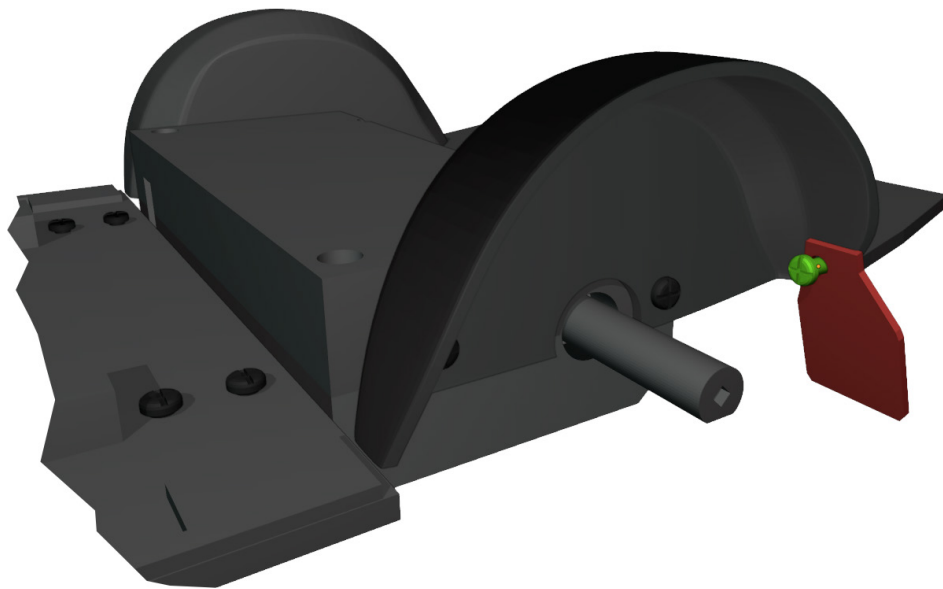
 4x M1.2x3

12



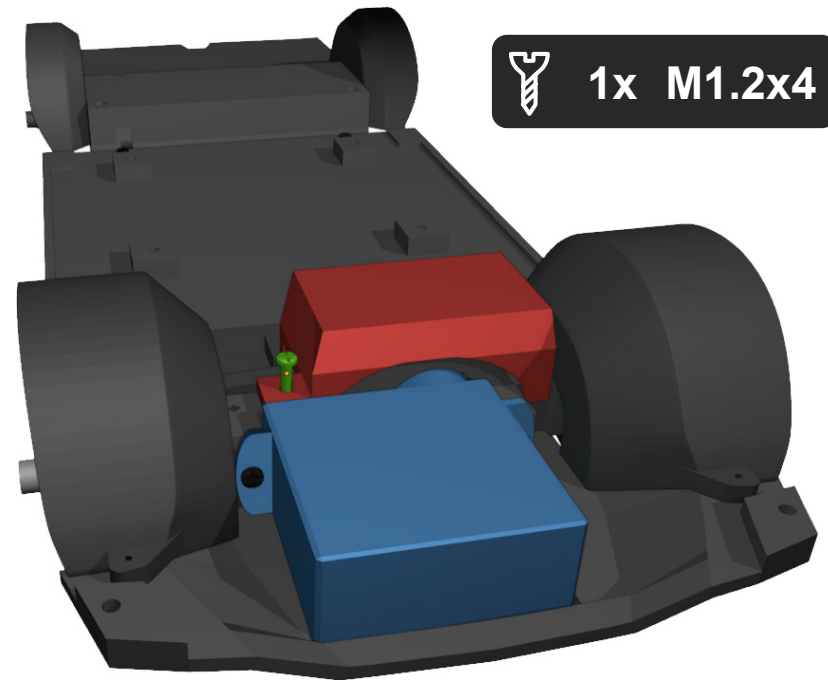
 4x M1x4

11

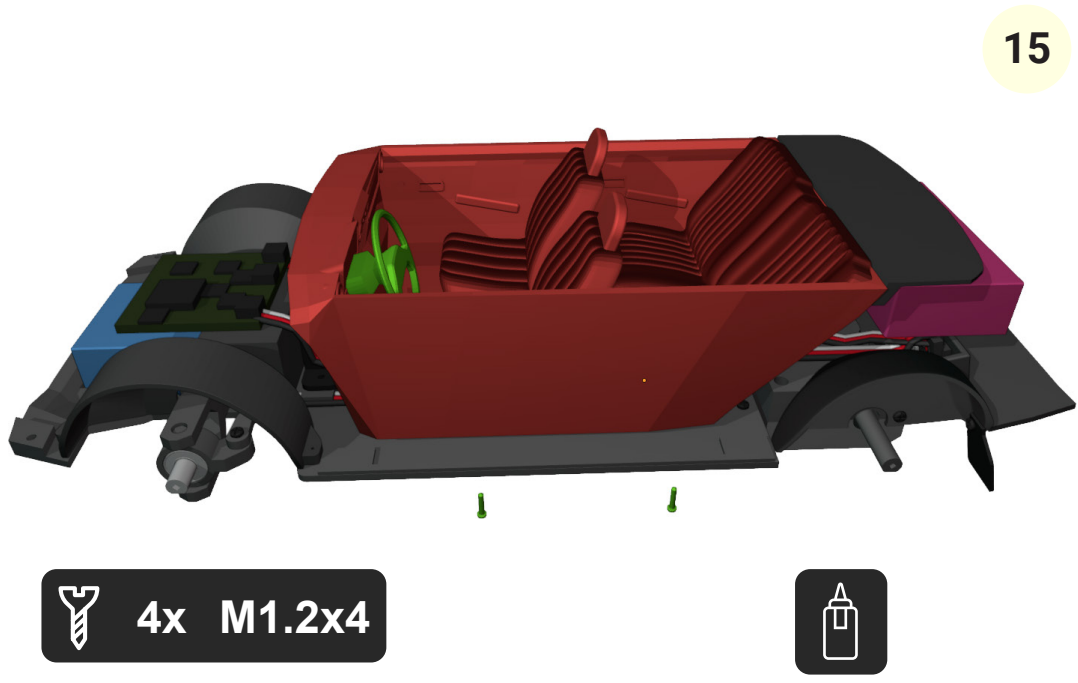
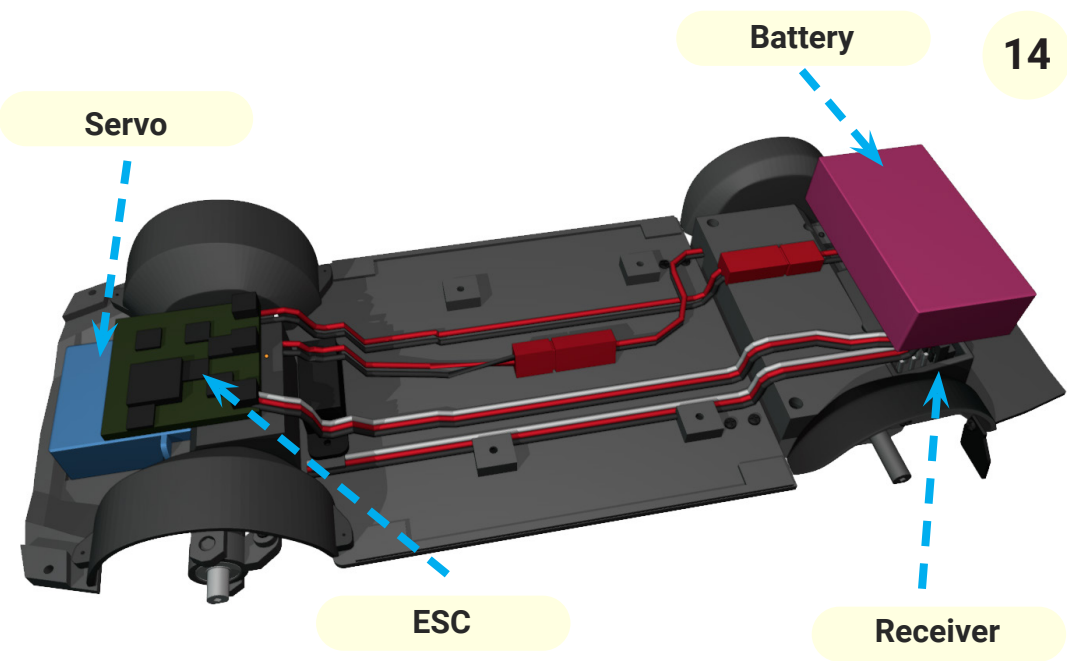


 2x M1.2x3

13



 1x M1.2x4

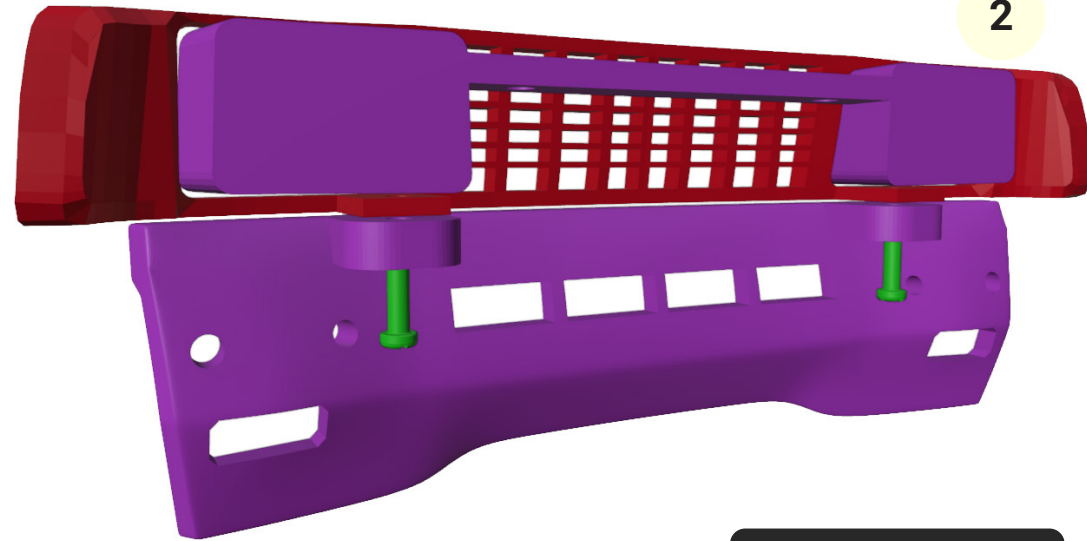


Great job!
 The chasses is done!
 Now lets do the body.

2. Body



4x M1.2x5



2x M1.2x5



3



2x M1.2x5



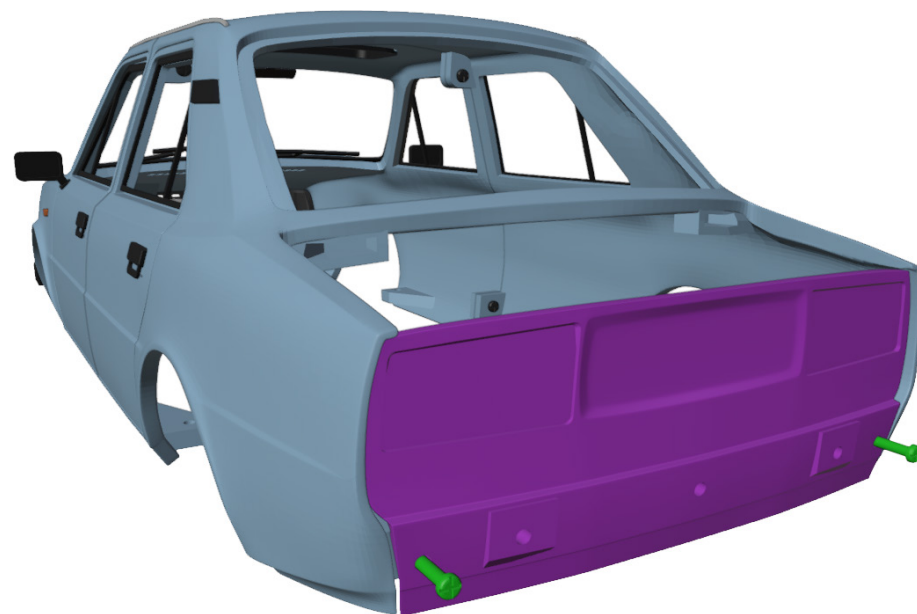
5



4



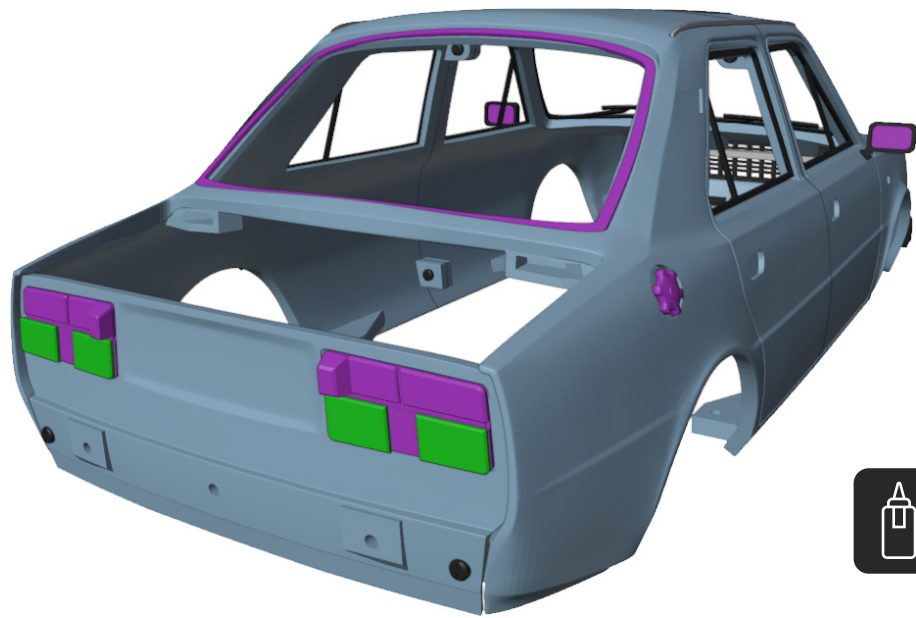
2x M1.2x5



6



2x M1.2x5



7



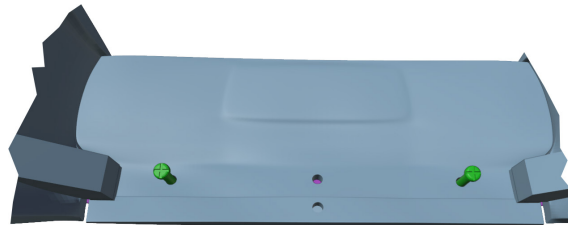
10



9



4x M1.2x5



Great job! We are done...
Hope you enjoyed the build
and for more models, visit:
3drcmodels.com and
youtube.com/@3DRcModels